

# Mill Valley Estates Transportation Impact Assessment

Prepared for:  
Houchaimi Holdings Inc.

Prepared by:



6 Plaza Court  
Nepean, ON K2H 7W1

November 2022

PN: 2022-142

## Table of Contents

1	Introduction.....	1
1.1	Existing Conditions .....	3
1.1.1	Area Road Network .....	3
1.1.2	Existing Intersections.....	4
1.1.3	Existing Driveways .....	4
1.1.4	Cycling and Pedestrian Facilities.....	4
1.1.5	Existing Transit.....	5
1.1.6	Existing Peak Hour Travel Demand.....	5
2	Future Background Conditions.....	8
2.1	Planned Conditions.....	8
2.1.1	Changes to the Area Transportation Network .....	8
2.1.2	Other Study Area Developments.....	8
2.1.3	Background Growth.....	8
2.1.4	Future Background Traffic Volumes .....	8
3	Demand Forecasting.....	10
3.1	Site Trip Generation .....	10
3.2	Vehicle Traffic Distribution and Assignment .....	11
3.3	Future Total Travel Demands .....	12
4	Operational Analysis.....	13
4.1	2022 Existing Operational Analysis.....	14
4.2	Future Background Conditions.....	15
4.2.1	Future Background Traffic Control Warrants .....	15
4.2.2	2027 Future Background Conditions .....	15
4.2.3	2032 Future Background Conditions .....	16
4.3	Future Total Conditions.....	17
4.3.1	Future Total Traffic Control Warrants .....	17
4.3.2	2027 Future Total Conditions .....	17
4.3.3	2032 Future Total Conditions .....	18
5	Plan of Subdivision Review.....	19
5.1	Design for Sustainable Modes.....	19
5.2	New Streets Network .....	20
5.2.1	Access Intersection Design Elements .....	20
5.3	Parking Supply .....	21
6	Findings and Recommendations .....	21

## List of Figures

Figure 1:	Area Context Plan.....	1
Figure 2:	Concept Plan.....	2
Figure 3:	Trans Canada Trail .....	5
Figure 4:	2022 Existing Traffic Volumes .....	6
Figure 5:	Existing Pedestrian Volumes .....	7

Figure 6: Existing Cyclist Volumes .....7  
 Figure 7: 2027 Future Background Traffic Volumes .....9  
 Figure 8: 2032 Future Background Traffic Volumes ..... 10  
 Figure 9: New Site-Generated Traffic Volumes ..... 11  
 Figure 10: 2027 Future Total Traffic ..... 12  
 Figure 11: 2032 Future Total Traffic ..... 13  
 Figure 12: Recommended Sidewalk Provision ..... 20

### Table of Tables

Table 1: Turning Movement Count Data Dates .....5  
 Table 2: ITE Trip Generation Rate ..... 10  
 Table 3: Vehicle Site Trip Generation ..... 11  
 Table 4: Peak Hour Factors ..... 14  
 Table 5: Level of Service Criteria for Signalized/Unsignalized Intersections ..... 14  
 Table 6: 2022 Existing Intersections Operational Analysis ..... 14  
 Table 7: 2027 Future Background Conditions Operational Analysis ..... 15  
 Table 8: 2032 Future Background Conditions Operational Analysis ..... 16  
 Table 9: 2027 Future Total Conditions Operational Analysis ..... 17  
 Table 10: 2032 Future Total Conditions Operational Analysis ..... 18

### List of Appendices

- Appendix A – Aerial Images and Photos
- Appendix B – Traffic Data and AADT
- Appendix C – 2022 Existing Synchro Worksheets
- Appendix D – Signal Warrants
- Appendix E – 2027 Future Background Synchro and Sidra Worksheets
- Appendix F – 2032 Future Background Synchro and Sidra Worksheets
- Appendix G – 2027 Future Total Synchro and Sidra Worksheets
- Appendix H – 2032 Future Total Synchro and Sidra Worksheets
- Appendix I – Turn Lane Warrants

## 1 Introduction

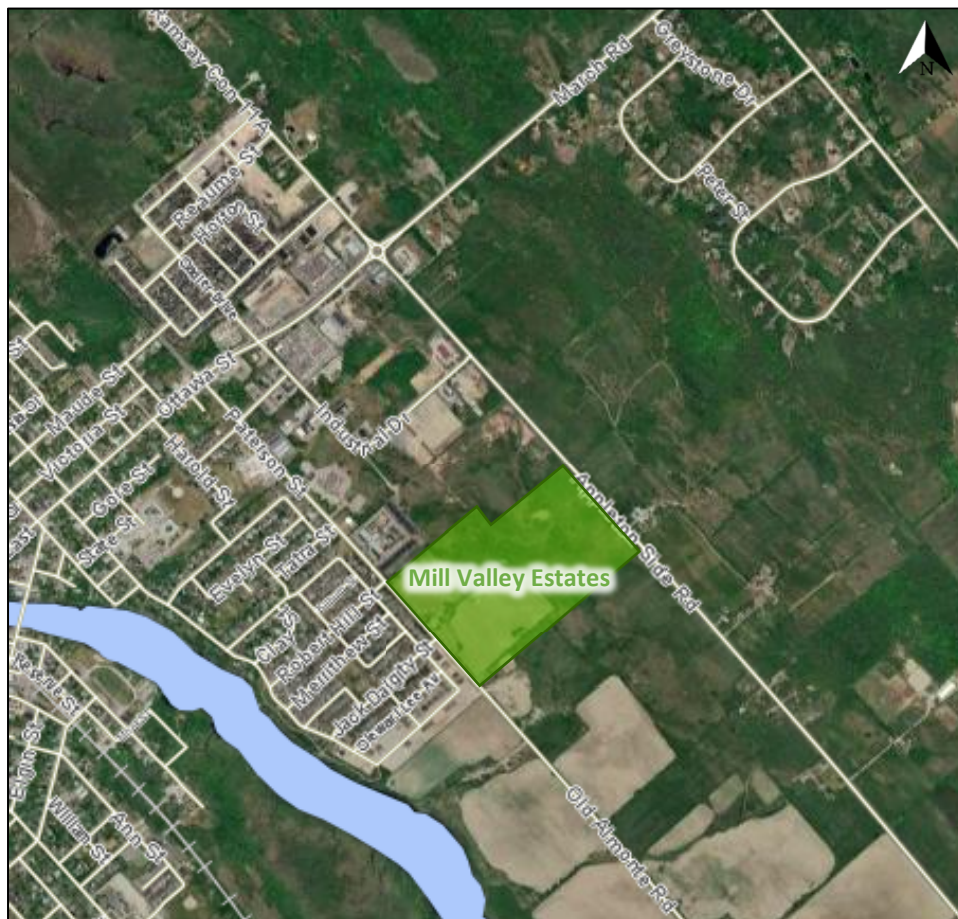
This Transportation Impact Assessment has been prepared to support the draft plan subdivision for the proposed development of Mill Valley Estates in the Ward of Almonte in the Municipality of Mississippi Mills, Ontario. The subject site is bounded by Paterson Road, County Road 17, the existing Orchard View Retirement and future Mill Valley Living, and rural lands to the south and is currently zoned as Development (D) Zone. The residential subdivision is proposed to include a total of 48 apartment units, 104 detached homes, 158 semi-detached homes, and 185 townhomes.

The proposed development will connect to the intersection of Jack Dalgity Street at Paterson Street via a new local road on the east leg and to Appleton Side Road (County Road 17) via a new local road.

The proposed development is anticipated to have a full build-out and occupancy year of 2027. The analysis will therefore include 2022 existing, 2027 future background, 2032 future background, 2027 future total, and 2032 future total conditions. The requirements for this TIA have been confirmed with staff from both Lanark County and the Municipality of Mississippi Mills via a pre-consultation meeting held virtually on July 20, 2022.

Figure 1 illustrates the Study Area Context. Figure 2 illustrates the concept plan.

Figure 1: Area Context Plan



Source: <http://cgis.com/cpal/Default.aspx?CLIENT=MMILLS&MAPTYPE=Zoning> Accessed: November 16, 2022

Figure 2: Concept Plan



**SITE INFORMATION**

ZONING: Development (D)\*  
 \*to be rezoned as per planning rationale.

**SITE AREA**  
 Total Site Area: 33.599ha  
 Net Site Area: 15.936ha

**DENSITY**  
 Maximum: 25units/ha  
 Low Density Target: 60%  
 Medium Density Target: 40%

**DEVELOPMENT STATISTICS**

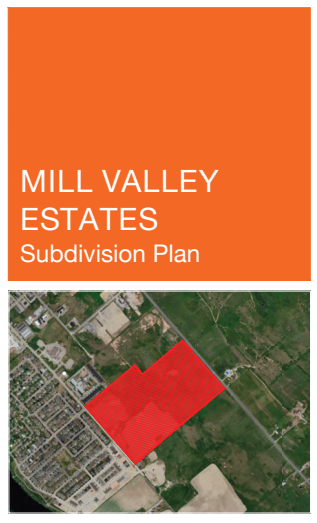
Single Detached (35ft):	34
Single Detached (42ft):	73
Single Detached (45ft):	72
Semi Detached:	78
Townhouses:	166
Apartments:	48

**SUMMARY OF UNITS**  
 Houses: 423  
 Apartments: 48  
 Total: 471

**DENSITIES**  
 Maximum: 25 units/net ha  
 Provided: 29.5 units/net ha

**PARKLAND DEDICATION**  
 Required: 75,629m<sup>2</sup> x 2% + 260,358m<sup>2</sup> x 5%  
 Provided: 14,350m<sup>2</sup> 929m<sup>2</sup>

**STREETS: TOTAL LENGTH**  
 Total length (center line): -3,750m



**LEGEND**

- SINGLE DETACHED (35FT / 10.65M)
- SINGLE DETACHED HOUSES (42FT / 12.8M)
- SINGLE DETACHED HOUSES (45FT / 13.72M)
- SEMI DETACHED HOUSES
- TOWNHOUSES
- APARTMENT BUILDING
- BUSINESS PARK
- PARKLAND DEDICATION
- AMENITY SPACE
- RESIDENTIAL - COMMUNITY FACILITY ZONE (OP)
- PROPERTY BOUNDARY
- SETBACKS

0 37.5 75 150

No. REVISION	DATE	BY
7 REVISIONS	2022.11.10	TS
6 REVISIONS	2022.10.20	TS
5 REVISIONS	2022.10.18	TS
4 REVISIONS	2021.10.07	RJ
2 REVISIONS	2021.09.28	TS
2 REVISIONS	2021.06.21	TS
1 SUBDIVISION PLAN	2021.06.13	TS
0 BASE PLAN	2022.06.06	RP

CLIENT

**MILL VALLEY ESTATES**

**FOTENN**  
 Planning + Design

396 Cooper Street, Suite 300, Ottawa ON K2P 2H7  
 613.730.5709 www.fotenn.com

DESIGNED	TS
REVIEWED	RP
DATE	2022.06.06

P1

## 1.1 Existing Conditions

### 1.1.1 Area Road Network

**Ottawa Street:** Ottawa Street is a Municipality of Mississippi Mills arterial road with a two-lane urban cross-section west of Menzie Street/Paterson Street and a four-lane urban cross-section east of Menzie Street/Paterson Street. The posted speed limit is 50 km/h within the study area. Sidewalks are present on both sides of the road west of Industrial Drive. Bike lanes are present on both sides of the road west of Menzie Street/Paterson Street and a mixed-use path (MUP) is present on both sides of the road between Industrial Drive and 175 metres to the east where a half-signal permits a MUP crossing, from which point a MUP continues on the north side of the road to the east. The Municipality of Mississippi Mills Transportation Master Plan reserves a minimum 30.0 metre right of way for arterial roadways.

**Mach Road (County Road 49):** March Road is a County of Lanark arterial road with a two-lane rural cross-section with gravel shoulders on both sides of the road. About 275 metres east of Appleton Side Road (Country Road 17), the posted speed limit transitions from 50 km/h to 70 km/h. A measured right-of-way taken from the Municipality of Mississippi Mills Mapping Application of 30.0 metres is noted.

**Appleton Side Road (Country Road 17):** Appleton Side Road (Country Road 17) is a County of Lanark collector road. It has a two-lane rural cross-section with paved shoulders north of Industrial Drive where the posted speed limit is 50 km/h and gravel shoulders to the south where the posted speed limit is 80 km/h. The measured right-of-way taken from the Municipality of Mississippi Mills Mapping Application of 26.5 metres is noted.

**Paterson Street:** Paterson Street is a Municipality of Mississippi Mills collector road with a two-lane urban cross-section with sidewalks on both sides of the road. The posted speed limit is 40 km/h north of Jack Dalgity Street and 50 km/h to the south. The Municipality of Mississippi Mills Transportation Master Plan reserves a minimum 24.0 metre right of way for collector roadways.

**Industrial Drive:** Industrial Drive is a Municipality of Mississippi Mills collector road with a two-lane rural cross-section. Based on the Municipality of Mississippi Mills Transportation Master Plan, a speed limit of 50 km/h is assumed for urban collector roadways. An asphalt sidewalk is present on the west side of the road between Ottawa Street and Stoneridge Plaza south access. The Municipality of Mississippi Mills Transportation Master Plan reserves a minimum 24.0 metre right of way for collector roadways.

**Ramsay Concession 11A:** Ramsay Concession 11A is a Municipality of Mississippi Mills local road with a two-lane rural cross-section including paved shoulders within the study area. No posted speed limit is present; however, the Municipality of Mississippi Mills Transportation Master Plan indicates a speed limit of 50 km/h can be assumed for urban local roadways. The Municipality of Mississippi Mills Transportation Master Plan reserves a minimum 20.0 metre right of way for local roadways.

**Menzie Street:** Menzie Street is a Municipality of Mississippi Mills collector road with a two-lane urban cross-section with a sidewalk on the west side of the road. Based on the Municipality of Mississippi Mills Transportation Master Plan, a speed limit of 50 km/h is assumed for urban collector roadways. The Municipality of Mississippi Mills Transportation Master Plan reserves a minimum 24.0 metre right of way for collector roadways.

**Jack Dalgity Street:** Jack Dalgity Street is a Municipality of Mississippi Mills local road with a two-lane urban cross-section with a sidewalk on the north side of the road. Based on the Municipality of Mississippi Mills Transportation Master Plan, a speed limit of 50 km/h is assumed for urban local roadways. The Municipality of Mississippi Mills Transportation Master Plan reserves a minimum 20.0 metre right of way for local roadways.

### 1.1.2 Existing Intersections

The existing key intersections have been summarized below, and aerial images and photos from a site visit are provided for illustrative purposes in Appendix A:

<i>Ottawa Street/March Road (County Road 49) at Appleton Side Road (County Road 17)/Ramsay Concession 11A</i>	The intersection of Ottawa Street/March Road (County Road 49) and Appleton Side Road (County Road 17)/Ramsay Concession 11A is a four-legged roundabout intersection.  The northbound and southbound approaches each consists of a shared all-movement lane. The eastbound and westbound approaches each consists of a shared left-turn/through lane and a shared through/right-turn lane. Pedestrian crossovers are provided on each leg. No turn restrictions were noted.
<i>Ottawa Street and Paterson Street /Menzie Street</i>	The intersection of Ottawa Street and Paterson Street/Menzie Street is a signalized intersection. The northbound, southbound, and eastbound approaches each consists of a shared all-movement lane. The westbound approach consists of a left-turn lane, a through lane, and an auxiliary right-turn lane. No turning restrictions were noted at this intersection.
<i>Industrial Drive and Appleton Side Road (County Road 17)</i>	The intersection of Industrial Drive and Appleton Side Road (County Road 17) is an unsignalized T-intersection, stop-controlled on the minor approach of Industrial Drive. Each approach consists of a shared all-movement lane. No turning restrictions were noted at this intersection.
<i>Jack Dalgity Street and Paterson Street</i>	The intersection of Jack Dalgity Street and Paterson Street is an unsignalized T-intersection, stop-controlled on the minor approach of Jack Dalgity Street. Each approach consists of a shared all-movement lane. No turning restrictions were noted at this intersection.

### 1.1.3 Existing Driveways

Within 400 metres of the proposed site accesses, two accesses to a retirement home with surrounding townhomes, two driveways to single detached homes are present on Paterson Street, one driveway to a single detached home is present on Appleton Side Road, and field accesses are present on both Paterson Street and Appleton Side Road. None are anticipated to generate significant traffic volumes.

### 1.1.4 Cycling and Pedestrian Facilities

Sidewalks are present on the north side of Jack Dalgity Street, on the west side of Industrial Drive between Ottawa Street and Stoneridge Plaza south access and of Menzie Street, and on both sides of Paterson Road. A pedestrian crossing is provided on Appleton Side Road (County Road 17) about 245 metres south of Ottawa Street connecting to the Appleton Trail.

Bike lanes are present on both sides of Ottawa Street west of Menzie Street/Paterson Street, and a mixed-use path is present on both sides of Ottawa Street between Industrial Drive and 175 metres to the east where a half-signal permits a MUP crossing, and a MUP continues on the north side of the road to the east.

The Trans Canada Trail partly comprises the paved shoulders on Appleton Side Road (County Road 17) and the MUPs on Ottawa Street through the study area. The Lanark Link of the Trail is cited to be popular for cycling, per

its description at tctrail.ca, and is stated to permit walking/hiking and road cycling. Figure 3 shows the trail located within the study area.

Figure 3: Trans Canada Trail



Source: <https://tctrail.ca/explore-the-map/> Accessed: November 16, 2022

1.1.5 Existing Transit

There is no existing transit service along the boundary road that would serve the proposed development.

1.1.6 Existing Peak Hour Travel Demand

Existing turning movement counts for the weekday AM and PM Peak were provided by The Traffic Specialist. Table 1 summarizes the count locations, count dates, identified peak hour hours, and data sources.

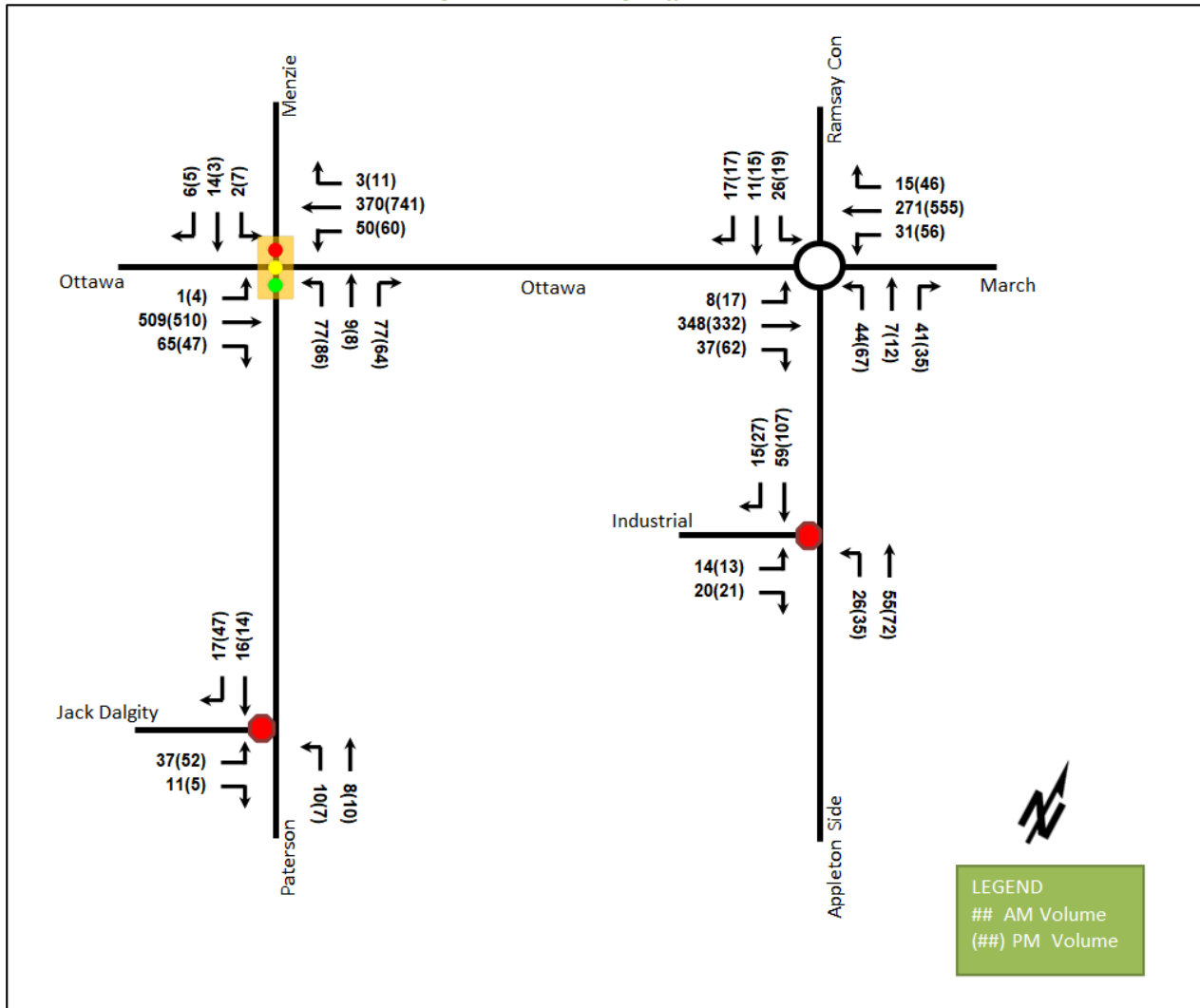
Table 1: Turning Movement Count Data Dates

Location	Count Date	AM Peak Hour (PM Peak Hour)	Data Source
Ottawa St/March Rd (CR 49) at Appleton Side Rd (CR 17)/Ramsay Con 11A	Wednesday, November 02, 2022	8:45 – 9:45 (16:00 – 17:00)	The Traffic Specialist
Ottawa St at Paterson St/Menzie St	Wednesday, November 02, 2022	9:00 – 10:00 (15:45 – 16:45)	
Industrial Dr at Appleton Side Rd (CR 17)	Wednesday, November 02, 2022	8:45 – 9:45 (16:15 – 17:15)	
Jack Dalgity St at Paterson Street	Wednesday, November 02, 2022	8:30 – 9:30 (15:45 – 16:45)	

Figure 4 illustrates the 2022 existing horizon traffic volumes. Detailed turning movement count data and AADT counts can be found in Appendix B. Estimated AADTs from the existing volumes were confirmed to be commensurate with the AADT on the segments from the County Road traffic volume database.



Figure 4: 2022 Existing Traffic Volumes



Pedestrian and cyclist volumes included in study area intersection counts are illustrated in Figure 5 and Figure 6, respectively.

Figure 5: Existing Pedestrian Volumes

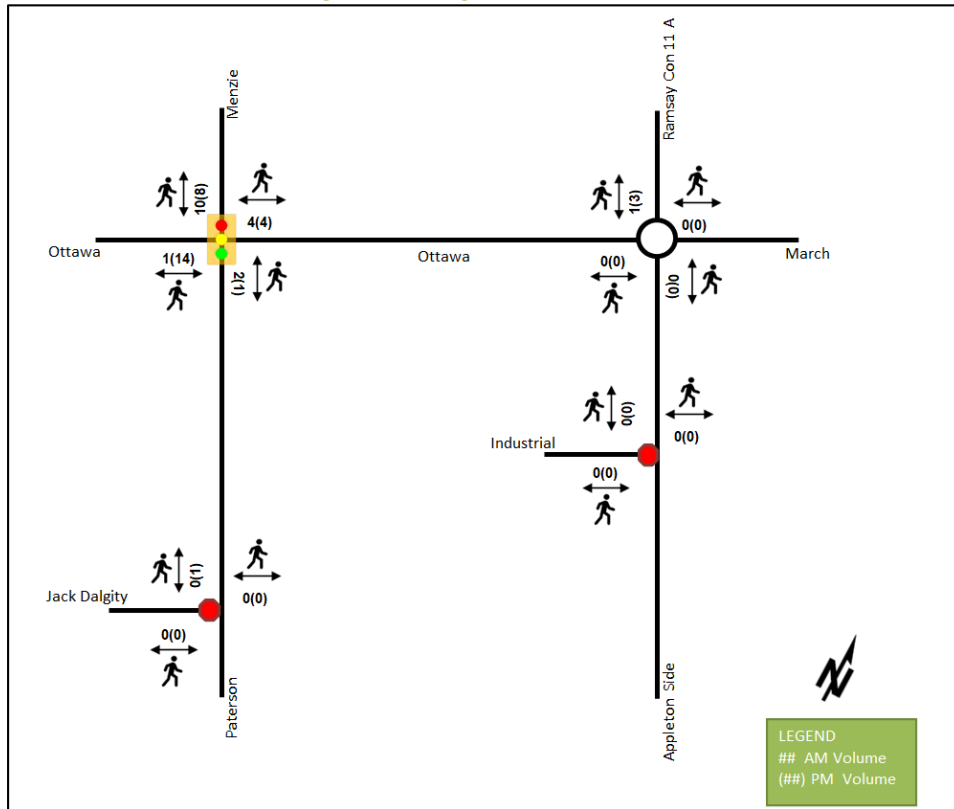
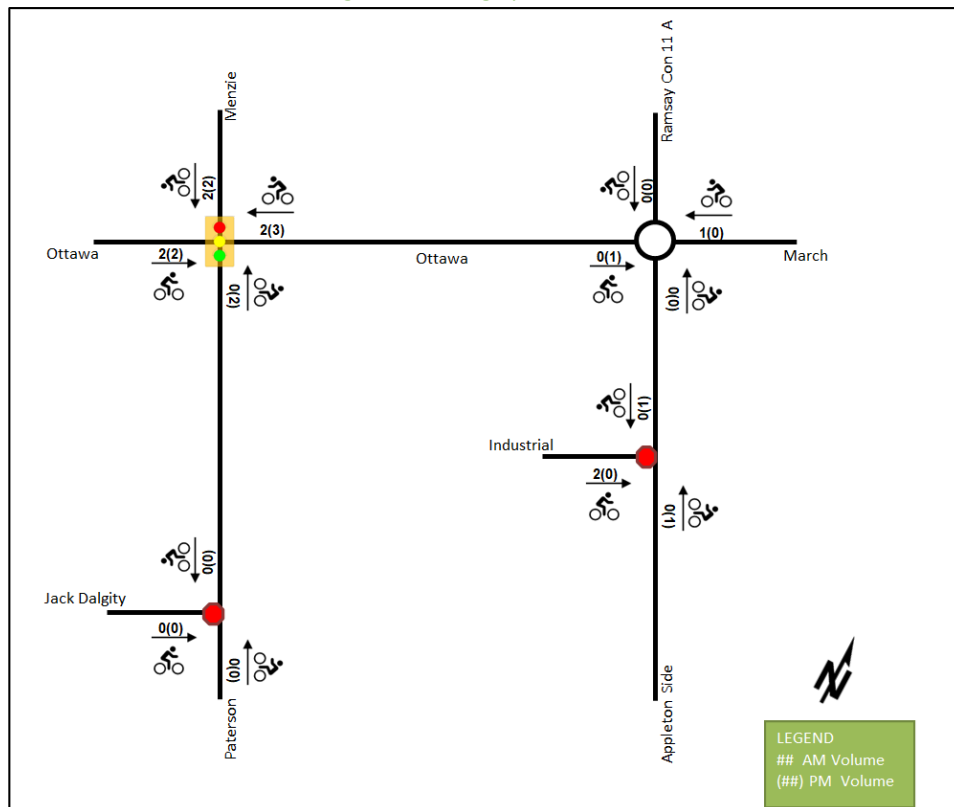


Figure 6: Existing Cyclist Volumes



## 2 Future Background Conditions

### 2.1 Planned Conditions

#### 2.1.1 Changes to the Area Transportation Network

The Municipality of Mississippi Mills Active Transportation Plan indicates Paterson Street as a future primary cycling urban route, Ottawa Street, March Road (County Road 49), and Appleton Side Road (County Road 17) as future spine routes. While no specific timing information has been indicated for these improvements and they may be assumed to occur beyond the future analysis horizon, no changes in traffic patterns or network capacity are anticipated to be resultant from these improvements.

No other changes to the area transportation network are anticipated.

#### 2.1.2 Other Study Area Developments

At the time of this report, no other development applications were available for the adjacent properties.

#### 2.1.3 Background Growth

To generate 2027 and 2032 future background traffic volumes, a 1.5 % compound annual growth rate was assumed to be applied to the existing 2022 traffic counts. This growth rate has been applied to Appleton Side Road, Ottawa Street, March Road, and Paterson Street's mainline volumes and to the major turning movements at intersections.

#### 2.1.4 Future Background Traffic Volumes

Applying the background growth rate discussed in Section 2.1.3 above to the 2022 existing traffic volumes, the future background traffic volumes were projected.

Figure 7 and Figure 8 illustrate the 2027 and 2032 future background traffic volumes, respectively. All intersection lane configurations have been carried forward from the 2022 existing conditions as there are no anticipated changes for the 2027 and 2032 future horizons.

Figure 7: 2027 Future Background Traffic Volumes

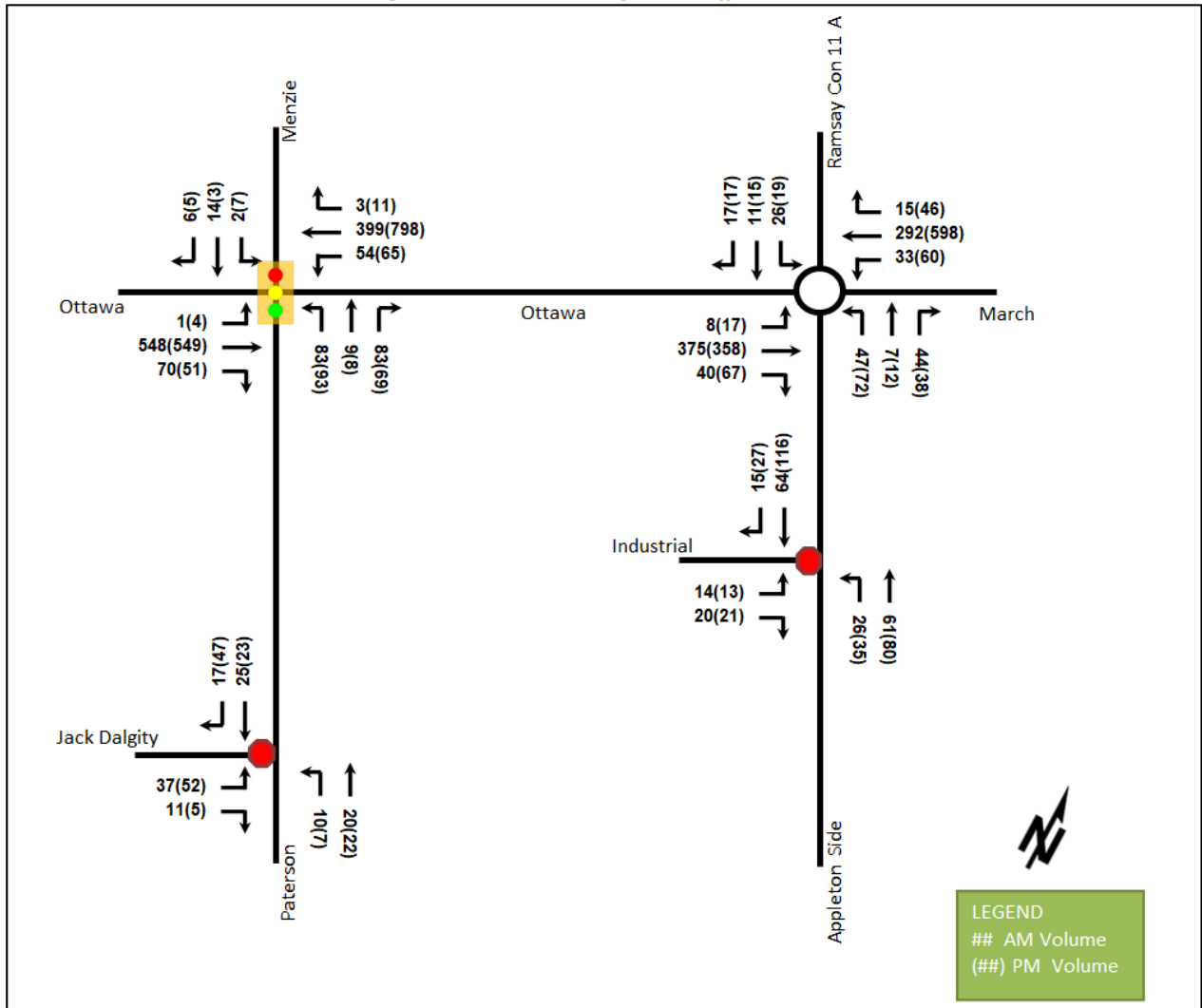
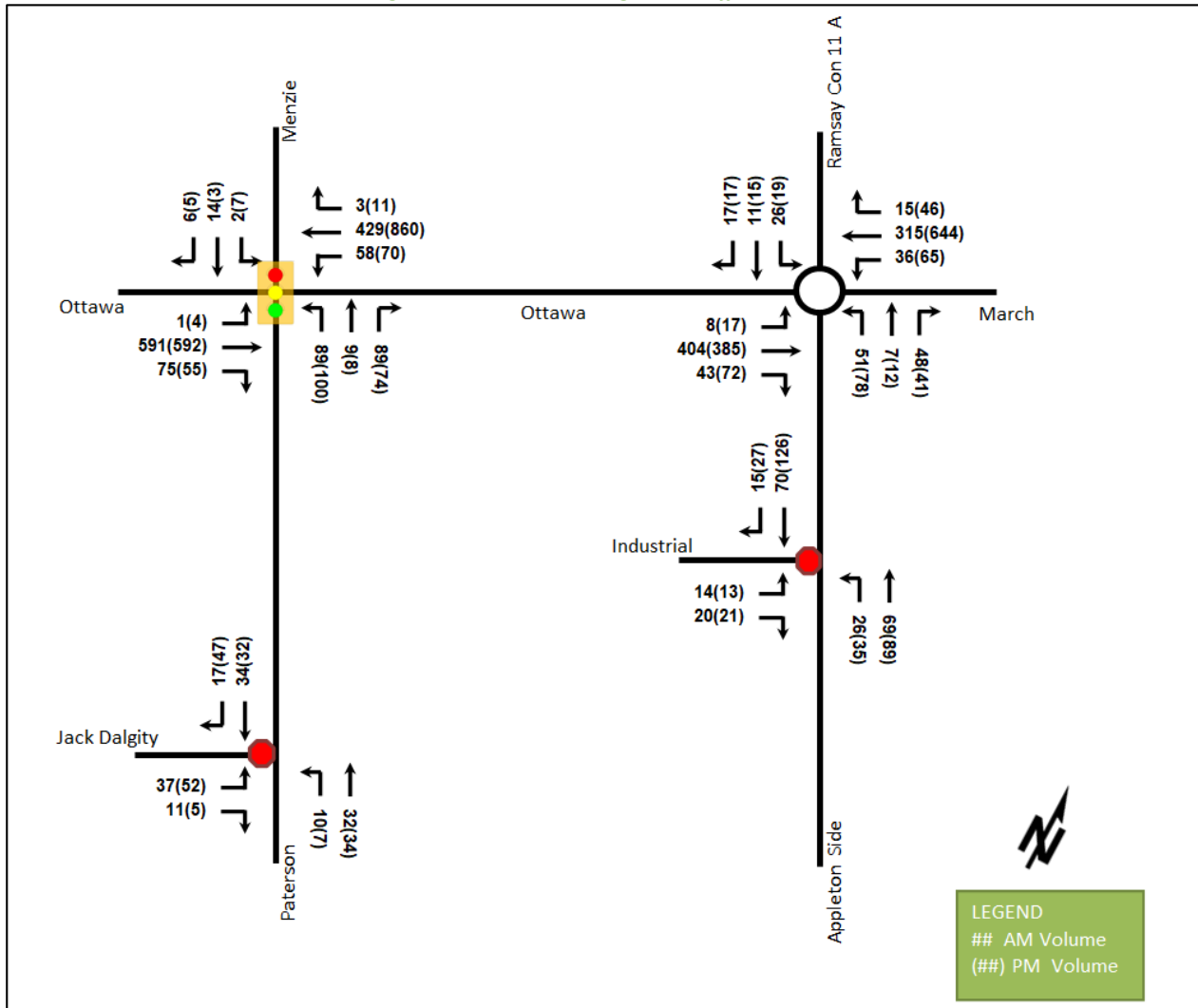


Figure 8: 2032 Future Background Traffic Volumes



### 3 Demand Forecasting

#### 3.1 Site Trip Generation

The proposed development will include 104 single family detached units, 158 single-family attached units, 185 low-rise multifamily housing units, and 48 mid-rise multifamily housing units. The *ITE Trip Generation Manual 11<sup>th</sup> Edition* has been reviewed to determine the appropriate trip generation rate equations for the proposed land uses and are summarized in Table 2.

Table 2: ITE Trip Generation Rate

Land Use	Data Source	Trip Rates	
		AM Peak	PM Peak
Single Family Detached	LUC 210	$T = 0.91(X) + 0.12$	$T = 0.94(X) + 0.27$
Single Family Attached	LUC 215	$T = 0.52(X) - 5.70$	$T = 0.6(X) - 3.93$
Multifamily Housing (Low-Rise)	LUC 220	$T = 0.31(X) + 22.85$	$T = 0.43(X) + 20.55$
Multifamily Housing (Mid-Rise)	LUC 221	$T = 0.44(X) - 11.61$	$T = 0.39(X) + 0.34$

Notes: T = Average Vehicle Trip Ends, X = Number of Dwelling Units

Using the above vehicle trip rate equations, the total vehicle trip generation during the weekday AM peak hour and weekday PM peak hour are summarized in Table 3. Given that the proposed development consists of only residential uses and this analysis is for full occupancy of the subject development, all trips are considered primary, and no synergy effects or pass-by trips have been considered.

Table 3: Vehicle Site Trip Generation

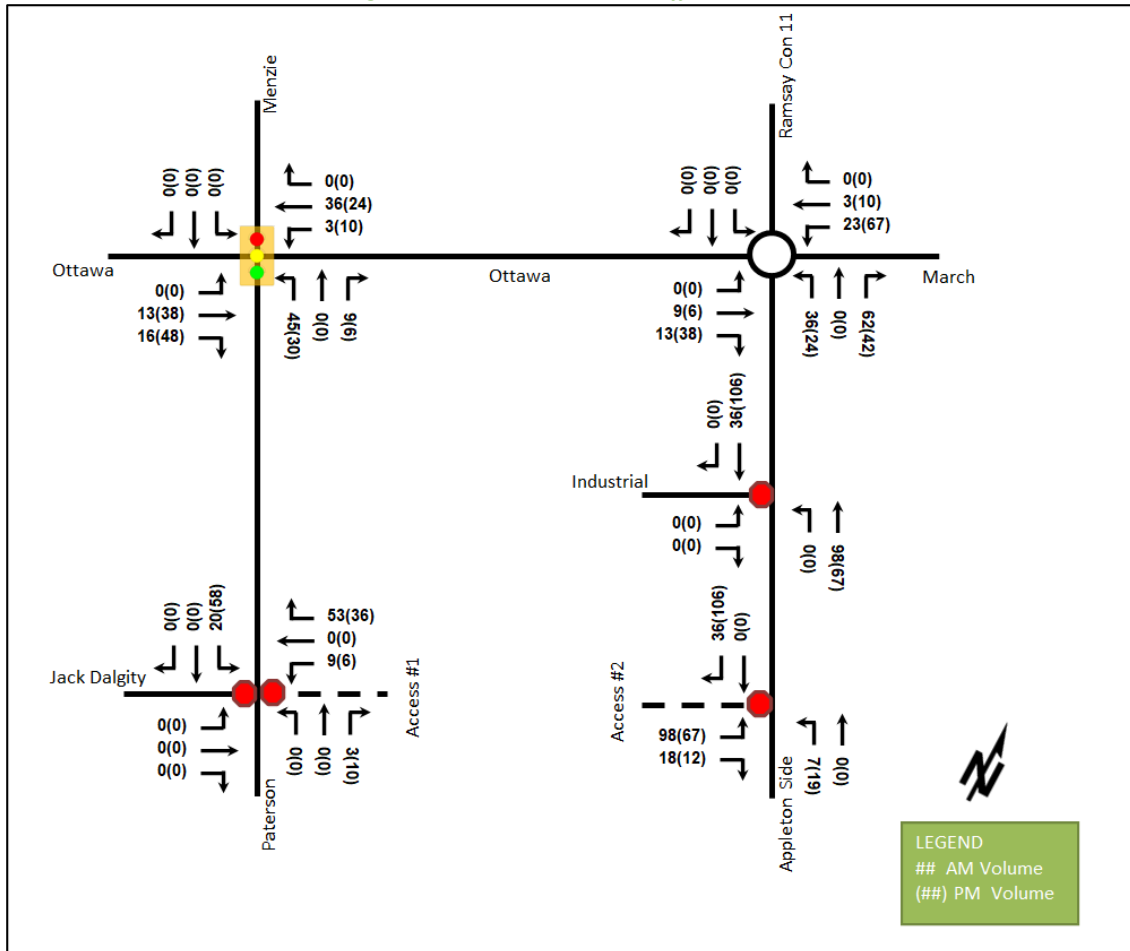
Land Use	Units	AM Peak (veh/hr)			PM Peak (veh/hr)		
		In	Out	Total	In	Out	Total
Single Family Detached	104	20	57	77	65	38	103
Single Family Attached	158	24	52	76	52	39	91
Multifamily Housing (Low-Rise)	185	19	61	80	63	37	100
Multifamily Housing (Mid-Rise)	48	2	8	10	12	7	19
<b>Total</b>		<b>65</b>	<b>178</b>	<b>243</b>	<b>192</b>	<b>121</b>	<b>313</b>

As shown above, a total of 243 AM and 313 PM new peak hour two-way vehicle trips are projected as a result of proposed development.

### 3.2 Vehicle Traffic Distribution and Assignment

Traffic distribution was based on the existing volume splits at Study Area intersections and a knowledge of the area travel. Based on these factors, new site-generated trips were assigned to Study Area intersections, which is illustrated in Figure 9. Section 5.2 provides further information regarding proposed access configurations.

Figure 9: New Site-Generated Traffic Volumes



### 3.3 Future Total Travel Demands

The 2027 and 2032 site-generated traffic has been combined with the 2027 and 2032 future background traffic volumes to estimate the 2027 and 2032 future total traffic volumes. Figure 10 and Figure 11 illustrate the 2027 and 2032 future total traffic volumes, respectively. Access configuration details are presented in Section 5.2.

Figure 10: 2027 Future Total Traffic

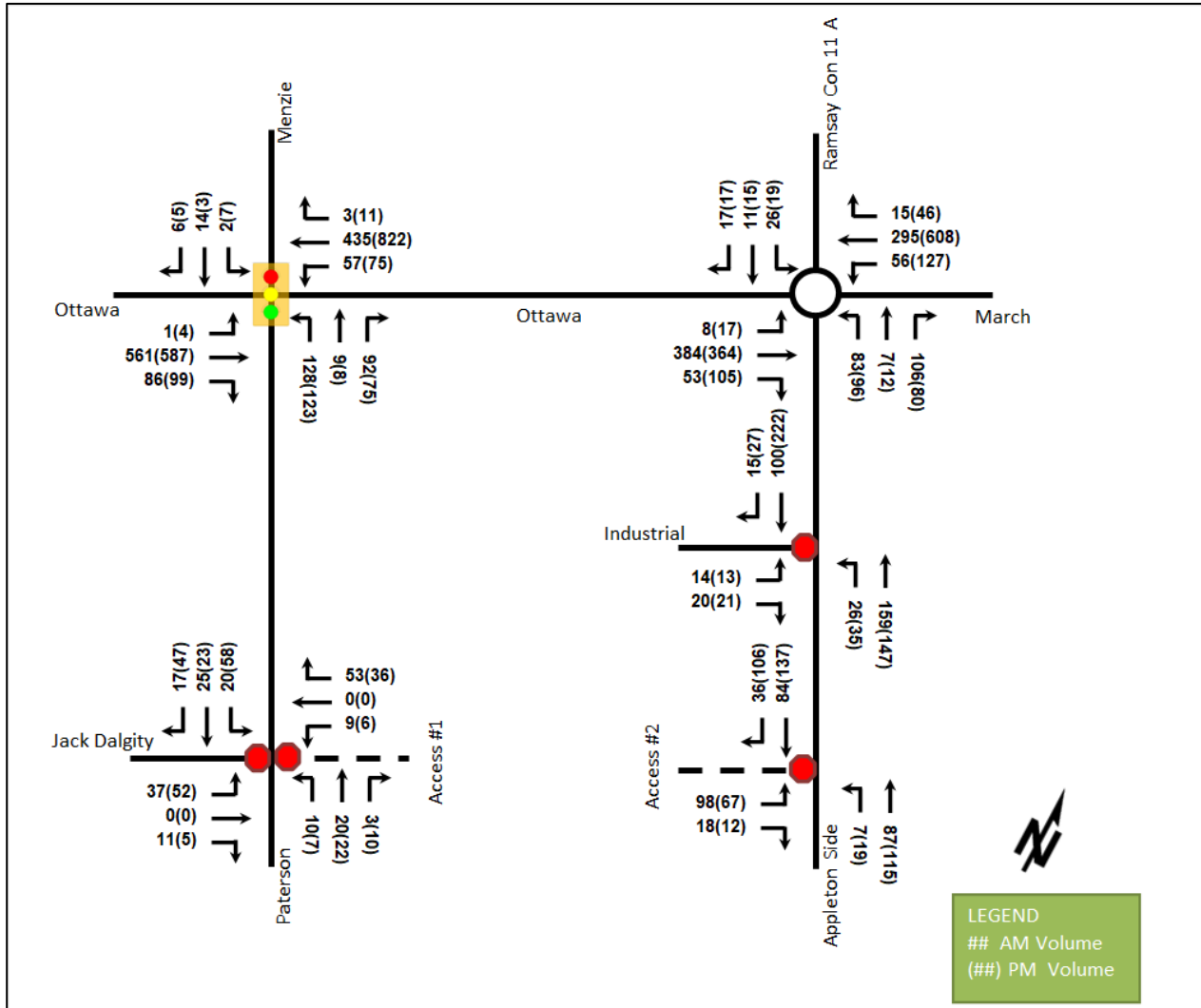
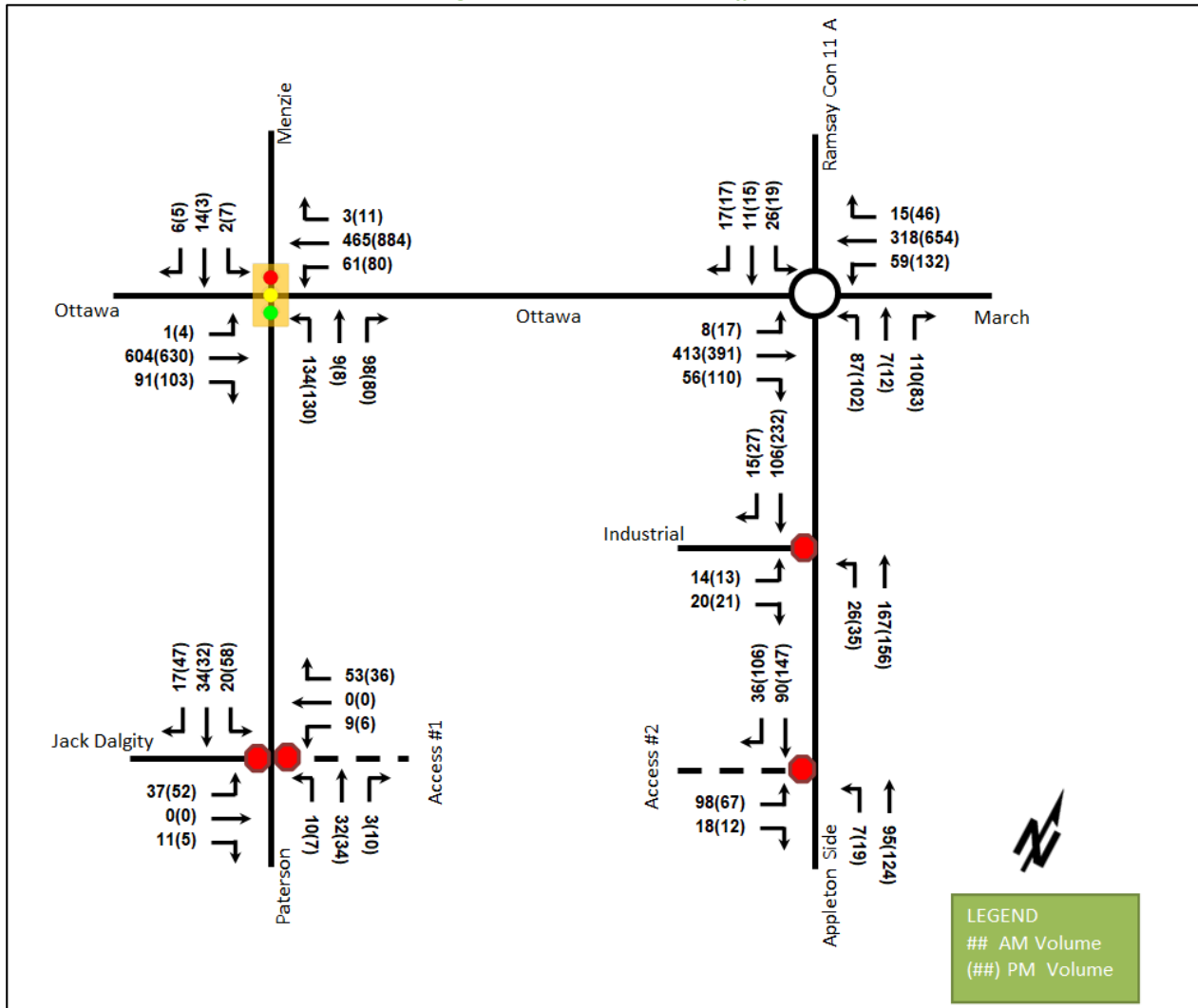


Figure 11: 2032 Future Total Traffic



#### 4 Operational Analysis

To understand the operational characteristics of the Study Area intersections, a Synchro model has been created using Synchro Version 11 and Sidra Version 9 has been used to model the study area roundabouts.

Since the signal timing plan of the intersection of Ottawa Street and Paterson Street/Menzie Street is not available at this time, a cycle length of 90 seconds has been assumed for both AM and PM peak hours at all horizons and optimized splits have been applied.

Heavy Vehicle percentages (HV%) have been calculated for each movement based on the existing turning movement counts for the Study Area intersections and have been applied to both the existing and future analysis horizons. A minimum HV% of 2% was used in Synchro to ensure a conservative analysis.

Cyclist and pedestrian volumes were provided for all intersections with turning movement count information collected in 2022 and have been applied to the existing and future conditions analysis.



Peak Hour Factors (PHF) have been entered for each intersection based on the turning movement counts provided. The Peak Hour Factors used for each intersection are shown below in Table 4. The peak hour factor for the site access on Appleton Side Road will be taken from the adjacent intersection at Industrial Drive.

Table 4: Peak Hour Factors

Intersection	Peak Hour Factor	
	AM	PM
Ottawa St/March Rd (CR 49) at Appleton Side Rd (CR 17)/Ramsay Con 11A	0.91	0.97
Ottawa St at Paterson St/Menzie St	0.93	0.95
Industrial Dr at Appleton Side Rd (CR 17)	0.86	0.96
Jack Dalgity St at Paterson St	0.71	0.94

All other parameters have been coded using accepted best practices and default parameters, where applicable.

LOS has been determined using the HCM definitions for LOS at signalized and unsignalized intersections which are summarized in Table 5 below.

Table 5: Level of Service Criteria for Signalized/Unsignalized Intersections

LOS	Signalized Intersection Delay (s)	Unsignalized Intersection Delay (s)
A	≤10	≤10
B	>10 and ≤20	>10 and ≤15
C	>20 and ≤35	>15 and ≤25
D	>35 and ≤55	>25 and ≤35
E	>55 and ≤80	>35 and ≤50
F	>80	>50

Critical movements and critical intersections have been defined as individual movements with LOS F or a V/C ratio of 1.00 or greater, and intersections with an overall LOS F. Critical movements and critical intersections will be indicated in red within operational result tables below and may require mitigation measures.

#### 4.1 2022 Existing Operational Analysis

Table 6 summarizes the operational analysis for the 2022 existing conditions during both the AM and PM peak hours. If present, critical movements, as defined above, have been identified in red. Synchro worksheets for the 2022 existing traffic conditions are included in Appendix C.

Table 6: 2022 Existing Intersections Operational Analysis

Intersection	Lane	AM Peak Hour				PM Peak Hour			
		LOS	V/C	Delay	Q (95 <sup>th</sup> )	LOS	V/C	Delay	Q (95 <sup>th</sup> )
Ottawa St/March Rd (CR 49) and Appleton Side Rd (CR 17)/Ramsay Con 11A Roundabout	EB	A	0.14	2.4	5.3	A	0.14	2.6	5.3
	WB	A	0.11	2.8	4.4	A	0.22	2.9	9.6
	NB	A	0.10	6.1	2.7	A	0.12	6.6	3.2
	SB	A	0.06	5.9	1.5	A	0.06	6.2	1.6
	<b>Overall</b>	<b>A</b>	<b>0.14</b>	<b>3.2</b>	<b>5.3</b>	<b>A</b>	<b>0.22</b>	<b>3.3</b>	<b>9.6</b>
Ottawa St and Paterson St/Menzie St Signalized	EB	B	0.55	10.5	98.1	C	0.71	25.0	122.4
	WBL	A	0.11	7.1	9.3	A	0.17	9.1	9.4
	WBT	A	0.36	8.0	53.8	C	0.77	20.6	144.2
	WBR	A	0.00	0.0	0.0	A	0.01	0.5	0.5
	NB	C	0.64	32.4	35.8	C	0.42	24.2	35.8
	SB	C	0.08	21.0	7.6	B	0.04	19.6	5.8
<b>Overall</b>	<b>B</b>	<b>0.56</b>	<b>12.8</b>	-	<b>C</b>	<b>0.70</b>	<b>22.0</b>	-	

Intersection	Lane	AM Peak Hour				PM Peak Hour			
		LOS	V/C	Delay	Q (95 <sup>th</sup> )	LOS	V/C	Delay	Q (95 <sup>th</sup> )
<b>Industrial Dr and Appleton Side Rd (CR 17)</b> <i>Unsignalized</i>	EB	A	0.05	9.4	0.8	A	0.04	9.6	0.8
	NB	A	0.02	7.5	0.8	A	0.03	7.6	0.8
	SB	-	-	-	-	-	-	-	-
	<b>Overall</b>	<b>A</b>	<b>0.05</b>	<b>9.4</b>	<b>0.8</b>	<b>A</b>	<b>-</b>	<b>2.2</b>	<b>-</b>
<b>Jack Dalgity St and Paterson St</b> <i>Unsignalized</i>	EB	A	0.07	9.2	1.5	A	0.07	9.2	1.5
	NB	A	0.01	7.6	0.0	A	0.01	7.4	0.0
	SB	-	-	-	-	-	-	-	-
	<b>Overall</b>	<b>A</b>	<b>-</b>	<b>5.2</b>	<b>-</b>	<b>A</b>	<b>-</b>	<b>4.3</b>	<b>-</b>

Notes: Saturation flow rate of 1800 veh/h/lane  
Queue is measured in metres

Delay = average vehicle delay in seconds  
# = volume for the 95th %ile cycle exceeds capacity

Generally, the Study Area intersections are shown to operate with good overall LOS and low delays and no additional operational constraints (V/C ratio greater than 0.90 or LOS E or worse) are noted.

## 4.2 Future Background Conditions

### 4.2.1 Future Background Traffic Control Warrants

Using Ontario Traffic Manual (OTM) Book 12 Justification 7 methodology for examining traffic control signal warrants, the unsignalized Study Area intersections have been analyzed. In the future background horizons signalization is not warranted at any currently unsignalized Study Area intersections. Traffic control warrant sheets have been included in Appendix D.

### 4.2.2 2027 Future Background Conditions

The 2027 future background intersection volumes have been analyzed to allow for a comparison of the future volumes with and without the proposed development.

Table 7 summarizes the operational analysis for the 2027 future background conditions in both the AM and PM peak hours. Critical movements, as defined above, have been identified in red where applicable. The intersections have been analyzed based on the identified signal control and intersection configurations in Section 4.2.1. Synchro and Sidra worksheets for the 2027 future background traffic conditions are included in Appendix E.

Table 7: 2027 Future Background Conditions Operational Analysis

Intersection	Lane	AM Peak Hour				PM Peak Hour			
		LOS	V/C	Delay	Q (95 <sup>th</sup> )	LOS	V/C	Delay	Q (95 <sup>th</sup> )
<b>Ottawa St/March Rd (CR 49) and Appleton Side Rd (CR 17)/Ramsay Con 11A</b> <i>Roundabout</i>	EB	A	0.15	2.4	5.8	A	0.15	2.7	5.7
	WB	A	0.12	2.8	4.7	A	0.24	2.9	10.5
	NB	A	0.10	6.2	3.0	A	0.13	6.7	3.5
	SB	A	0.06	6.0	1.5	A	0.06	6.3	1.7
	<b>Overall</b>	<b>A</b>	<b>0.15</b>	<b>3.2</b>	<b>5.8</b>	<b>A</b>	<b>0.24</b>	<b>3.3</b>	<b>10.5</b>
<b>Ottawa St and Paterson St/Menzie St</b> <i>Signalized</i>	EB	B	0.60	11.6	111.3	C	0.77	27.8	#150.6
	WBL	A	0.13	7.4	10.0	A	0.19	9.4	10.1
	WBT	A	0.39	8.5	59.1	C	0.83	24.2	#174.7
	WBR	A	0.00	0.0	0.0	A	0.01	0.5	0.5
	NB	C	0.67	33.9	38.4	C	0.45	25.2	38.7
	SB	C	0.08	20.9	7.6	B	0.04	19.6	5.8
<b>Overall</b>	<b>B</b>	<b>0.60</b>	<b>13.6</b>	<b>-</b>	<b>C</b>	<b>0.75</b>	<b>24.8</b>	<b>-</b>	

Intersection	Lane	AM Peak Hour				PM Peak Hour			
		LOS	V/C	Delay	Q (95 <sup>th</sup> )	LOS	V/C	Delay	Q (95 <sup>th</sup> )
<b>Industrial Dr and Appleton Side Rd (CR 17)</b> <i>Unsignalized</i>	EB	A	0.05	9.4	0.8	A	0.04	9.7	0.8
	NB	A	0.02	7.5	0.8	A	0.03	7.6	0.8
	SB	-	-	-	-	-	-	-	-
	<b>Overall</b>	<b>A</b>	<b>-</b>	<b>2.6</b>	<b>-</b>	<b>A</b>	<b>-</b>	<b>2.0</b>	<b>-</b>
<b>Jack Dalgity St and Paterson St</b> <i>Unsignalized</i>	EB	A	0.08	9.4	1.5	A	0.07	9.3	1.5
	NB	A	0.01	7.6	0.0	A	0.01	7.4	0.0
	SB	-	-	-	-	-	-	-	-
	<b>Overall</b>	<b>A</b>	<b>-</b>	<b>4.4</b>	<b>-</b>	<b>A</b>	<b>-</b>	<b>3.7</b>	<b>-</b>

Notes: Saturation flow rate of 1800 veh/h/lane  
Queue is measured in metres

Delay = average vehicle delay in seconds  
# = volume for the 95th %ile cycle exceeds capacity

The intersection operations for the 2027 future background horizon in the study area generally operate similarly to the existing conditions. No additional operational constraints (V/C ratio greater than 0.90 or LOS E or worse) are noted.

The intersection of Ottawa Street at Paterson Street/Menzie Street may exhibit extended queues on the eastbound and westbound through movement during the PM peak hour due to background growth.

4.2.3 2032 Future Background Conditions

The 2032 future background intersection volumes have been analyzed to allow for a comparison of the future volumes with and without the proposed development.

Table 8 summarizes the operational analysis for the 2032 future background conditions in both the AM and PM peak hours. Critical movements, as defined above, have been identified in red where applicable. The intersections have been analyzed based on the identified signal control and intersection configurations in Section 4.2.1. Synchro and Sidra worksheets for the 2032 future background traffic conditions are included in Appendix F.

Table 8: 2032 Future Background Conditions Operational Analysis

Intersection	Lane	AM Peak Hour				PM Peak Hour			
		LOS	V/C	Delay	Q (95 <sup>th</sup> )	LOS	V/C	Delay	Q (95 <sup>th</sup> )
<b>Ottawa St/March Rd (CR 49) and Appleton Side Rd (CR 17)/Ramsay Con 11A Roundabout</b>	EB	A	0.16	2.5	6.3	A	0.16	2.7	6.3
	WB	A	0.13	2.8	5.2	A	0.26	3.0	11.6
	NB	A	0.12	6.3	3.3	A	0.14	6.8	3.9
	SB	A	0.06	6.1	1.6	A	0.06	6.4	1.7
	<b>Overall</b>	<b>A</b>	<b>0.16</b>	<b>3.2</b>	<b>6.3</b>	<b>A</b>	<b>0.26</b>	<b>3.4</b>	<b>11.6</b>
<b>Ottawa St and Paterson St/Menzie St Signalized</b>	EB	B	0.65	13.1	127.2	C	0.83	31.6	#170.4
	WBL	A	0.14	7.9	10.8	A	0.22	9.7	10.7
	WBT	A	0.42	9.1	64.8	C	0.90	29.8	#214.4
	WBR	A	0.00	0.0	0.0	A	0.01	0.5	0.5
	NB	D	0.70	35.8	42.0	C	0.48	26.2	41.9
	SB	C	0.07	20.7	7.6	B	0.04	19.6	5.8
<b>Overall</b>	<b>B</b>	<b>0.65</b>	<b>14.9</b>	<b>-</b>	<b>C</b>	<b>0.81</b>	<b>29.0</b>	<b>-</b>	

Intersection	Lane	AM Peak Hour				PM Peak Hour			
		LOS	V/C	Delay	Q (95 <sup>th</sup> )	LOS	V/C	Delay	Q (95 <sup>th</sup> )
<b>Industrial Dr and Appleton Side Rd (CR 17) Unsignalized</b>	EB	A	0.05	9.5	0.8	A	0.05	9.8	0.8
	NB	A	0.02	7.5	0.8	A	0.03	7.6	0.8
	SB	-	-	-	-	-	-	-	-
	<b>Overall</b>	<b>A</b>	<b>-</b>	<b>2.4</b>	<b>-</b>	<b>A</b>	<b>-</b>	<b>1.9</b>	<b>-</b>
<b>Jack Dalgity St and Paterson St Unsignalized</b>	EB	A	0.08	9.5	2.3	A	0.07	9.4	1.5
	NB	A	0.01	7.7	0.0	A	0.01	7.4	0.0
	SB	-	-	-	-	-	-	-	-
	<b>Overall</b>	<b>A</b>	<b>-</b>	<b>3.8</b>	<b>-</b>	<b>A</b>	<b>-</b>	<b>3.3</b>	<b>-</b>

Notes: Saturation flow rate of 1800 veh/h/lane  
Queue is measured in metres

Delay = average vehicle delay in seconds  
# = volume for the 95th %ile cycle exceeds capacity

The intersection operations for the 2032 future background horizon in the study area generally operate similarly to the existing and 2027 future background conditions. No additional operational constraints (V/C ratio greater than 0.90 or LOS E or worse) are noted.

### 4.3 Future Total Conditions

#### 4.3.1 Future Total Traffic Control Warrants

Using Ontario Traffic Manual (OTM) Book 12 Justification 7 methodology for examining traffic control signal warrants the unsignalized Study Area intersections, as well as the intersection of Site Access #2 and Appleton Side Road (County Road 17) and have been analyzed. In the future total horizon signalization is not warranted at any of the currently unsignalized or future Study Area intersections. Traffic control warrant sheets have been included in Appendix D.

#### 4.3.2 2027 Future Total Conditions

The proposed development’s trip generation has been added to the 2027 future background traffic volumes to project the impact of the new traffic on the future road network.

Table 9 summarizes the operational analysis for the 2027 future total conditions in both the AM and PM peak hours. Critical movements, as defined above, have been identified in red where applicable. The intersections have been analyzed based on the identified signal control and intersection configurations in Section 4.3.1. Synchro and Sidra worksheets for the 2027 future total traffic conditions are included in Appendix G.

Table 9: 2027 Future Total Conditions Operational Analysis

Intersection	Lane	AM Peak Hour				PM Peak Hour			
		LOS	V/C	Delay	Q (95 <sup>th</sup> )	LOS	V/C	Delay	Q (95 <sup>th</sup> )
<b>Ottawa St/March Rd (CR 49) and Appleton Side Rd (CR 17)/Ramsay Con 11A Roundabout</b>	EB	A	0.15	2.4	6.1	A	0.17	2.9	7.1
	WB	A	0.13	2.7	5.4	A	0.27	3.5	12.5
	NB	A	0.22	6.2	6.4	A	0.20	6.4	5.9
	SB	A	0.06	6.1	1.6	A	0.07	6.5	1.8
	<b>Overall</b>	<b>A</b>	<b>0.22</b>	<b>3.4</b>	<b>6.4</b>	<b>A</b>	<b>0.27</b>	<b>3.8</b>	<b>12.5</b>
<b>Ottawa St and Paterson St/Menzie St Signalized</b>	EB	B	0.66	14.9	123.9	C	0.79	26.0	#187.2
	WBL	A	0.15	9.1	10.9	A	0.20	7.9	11.3
	WBT	B	0.45	10.7	68.2	B	0.77	17.9	#199.1
	WBR	A	0.00	0.0	0.0	A	0.01	0.5	0.5
	NB	D	0.79	44.3	56.7	D	0.74	41.6	49.4
	SB	B	0.06	19.8	7.6	C	0.05	20.6	5.8
<b>Overall</b>	<b>B</b>	<b>0.69</b>	<b>18.2</b>	<b>-</b>	<b>C</b>	<b>0.82</b>	<b>23.2</b>	<b>-</b>	

Intersection	Lane	AM Peak Hour				PM Peak Hour			
		LOS	V/C	Delay	Q (95 <sup>th</sup> )	LOS	V/C	Delay	Q (95 <sup>th</sup> )
<b>Industrial Dr and Appleton Side Rd (CR 17)</b> <i>Unsignalized</i>	EB	B	0.05	10.1	1.5	B	0.05	10.7	1.5
	NB	A	0.02	7.6	0.8	A	0.03	7.8	0.8
	SB	-	-	-	-	-	-	-	-
	<b>Overall</b>	<b>A</b>	<b>-</b>	<b>1.6</b>	<b>-</b>	<b>A</b>	<b>-</b>	<b>1.4</b>	<b>-</b>
<b>Jack Dalgity St/ Access #1 and Paterson St</b> <i>Unsignalized</i>	EB	B	0.09	10.2	2.3	B	0.09	10.9	2.3
	WB	A	0.07	8.9	1.5	A	0.05	8.9	0.8
	NB	A	0.01	7.6	0.0	A	0.01	7.4	0.0
	SB	A	0.01	7.3	0.0	A	0.04	7.4	0.8
	<b>Overall</b>	<b>A</b>	<b>-</b>	<b>5.9</b>	<b>-</b>	<b>A</b>	<b>-</b>	<b>5.6</b>	<b>-</b>
<b>Access #2 and Appleton Side Rd (CR 17)</b> <i>Unsignalized</i>	EB	B	0.16	10.4	4.5	B	0.13	11.4	3.8
	NB	A	0.01	7.5	0.0	A	0.02	7.8	0.0
	SB	-	-	-	-	-	-	-	-
	<b>Overall</b>	<b>A</b>	<b>-</b>	<b>3.8</b>	<b>-</b>	<b>A</b>	<b>-</b>	<b>2.3</b>	<b>-</b>

Notes: Saturation flow rate of 1800 veh/h/lane  
Queue is measured in metres

Delay = average vehicle delay in seconds  
# = volume for the 95th %ile cycle exceeds capacity

The intersection operations for the 2027 future total horizon in the study area generally operate similarly to the 2027 future background conditions and the site access intersections operate well. Since no additional operational constraints (V/C ratio greater than 0.90 or LOS E or worse) are noted, no mitigation is required.

#### 4.3.3 2032 Future Total Conditions

The proposed development’s trip generation has been added to the 2032 future background traffic volumes to project the impact of the new traffic on the future road network.

Table 10 summarizes the operational analysis for the 2032 future total conditions in both the AM and PM peak hours. Critical movements, as defined above, have been identified in red where applicable. The intersections have been analyzed based on the identified signal control and intersection configurations in Section 4.3.1. Synchro and Sidra worksheets for the 2032 future total traffic conditions are included in Appendix H.

Table 10: 2032 Future Total Conditions Operational Analysis

Intersection	Lane	AM Peak Hour				PM Peak Hour			
		LOS	V/C	Delay	Q (95 <sup>th</sup> )	LOS	V/C	Delay	Q (95 <sup>th</sup> )
<b>Ottawa St/March Rd (CR 49) and Appleton Side Rd (CR 17)/Ramsay Con 11A Roundabout</b>	EB	A	0.17	2.6	6.7	A	0.19	3.0	7.7
	WB	A	0.14	3.3	6.0	A	0.29	3.5	13.7
	NB	A	0.23	6.3	7.0	A	0.21	6.6	6.4
	SB	A	0.06	6.3	1.7	A	0.07	6.7	1.8
	<b>Overall</b>	<b>A</b>	<b>0.23</b>	<b>3.7</b>	<b>7.0</b>	<b>A</b>	<b>0.29</b>	<b>3.8</b>	<b>13.7</b>
<b>Ottawa St and Paterson St/Menzie St Signalized</b>	EB	B	0.72	17.1	142.7	C	0.85	30.7	#207.2
	WBL	A	0.18	9.8	12.0	A	0.23	8.4	11.8
	WBT	B	0.48	11.5	74.6	C	0.83	21.8	#224.2
	WBR	A	0.00	0.0	0.0	A	0.01	0.5	0.5
	NB	D	0.81	45.8	59.8	D	0.77	43.3	52.7
	SB	B	0.06	19.7	7.6	C	0.05	20.5	5.8
<b>Overall</b>	<b>B</b>	<b>0.74</b>	<b>19.7</b>	<b>-</b>	<b>C</b>	<b>0.89</b>	<b>26.9</b>	<b>-</b>	

Intersection	Lane	AM Peak Hour				PM Peak Hour			
		LOS	V/C	Delay	Q (95 <sup>th</sup> )	LOS	V/C	Delay	Q (95 <sup>th</sup> )
<b>Industrial Dr and Appleton Side Rd (CR 17) <i>Unsignalized</i></b>	EB	B	0.05	10.2	1.5	B	0.05	10.8	1.5
	NB	A	0.02	7.6	0.8	A	0.03	7.9	0.8
	SB	-	-	-	-	-	-	-	-
	<b>Overall</b>	<b>A</b>	<b>-</b>	<b>1.6</b>	<b>-</b>	<b>A</b>	<b>-</b>	<b>1.3</b>	<b>-</b>
<b>Jack Dalgity St/ Access #1 and Paterson St <i>Unsignalized</i></b>	EB	B	0.09	10.4	2.3	B	0.09	11.1	2.3
	WB	A	0.07	9.0	1.5	A	0.05	8.9	0.8
	NB	A	0.01	7.7	0.0	A	0.01	7.4	0.0
	SB	A	0.01	7.3	0.0	A	0.04	7.4	0.8
	<b>Overall</b>	<b>A</b>	<b>-</b>	<b>5.4</b>	<b>-</b>	<b>A</b>	<b>-</b>	<b>5.2</b>	<b>-</b>
<b>Access #2 and Appleton Side Rd (CR 17) <i>Unsignalized</i></b>	EB	B	0.16	10.6	4.5	B	0.14	11.6	3.8
	NB	A	0.01	7.5	0.0	A	0.02	7.8	0.0
	SB	-	-	-	-	-	-	-	-
	<b>Overall</b>	<b>A</b>	<b>-</b>	<b>3.7</b>	<b>-</b>	<b>A</b>	<b>-</b>	<b>2.2</b>	<b>-</b>

Notes: Saturation flow rate of 1800 veh/h/lane  
Queue is measured in metres

Delay = average vehicle delay in seconds  
# = volume for the 95th %ile cycle exceeds capacity

The intersection operations for the 2032 future total horizon in the study area generally operate similarly to the 2032 future background conditions and the site access intersections operate well. Since no additional operational constraints (V/C ratio greater than 0.90 or LOS E or worse) are noted, no mitigation is required.

## 5 Plan of Subdivision Review

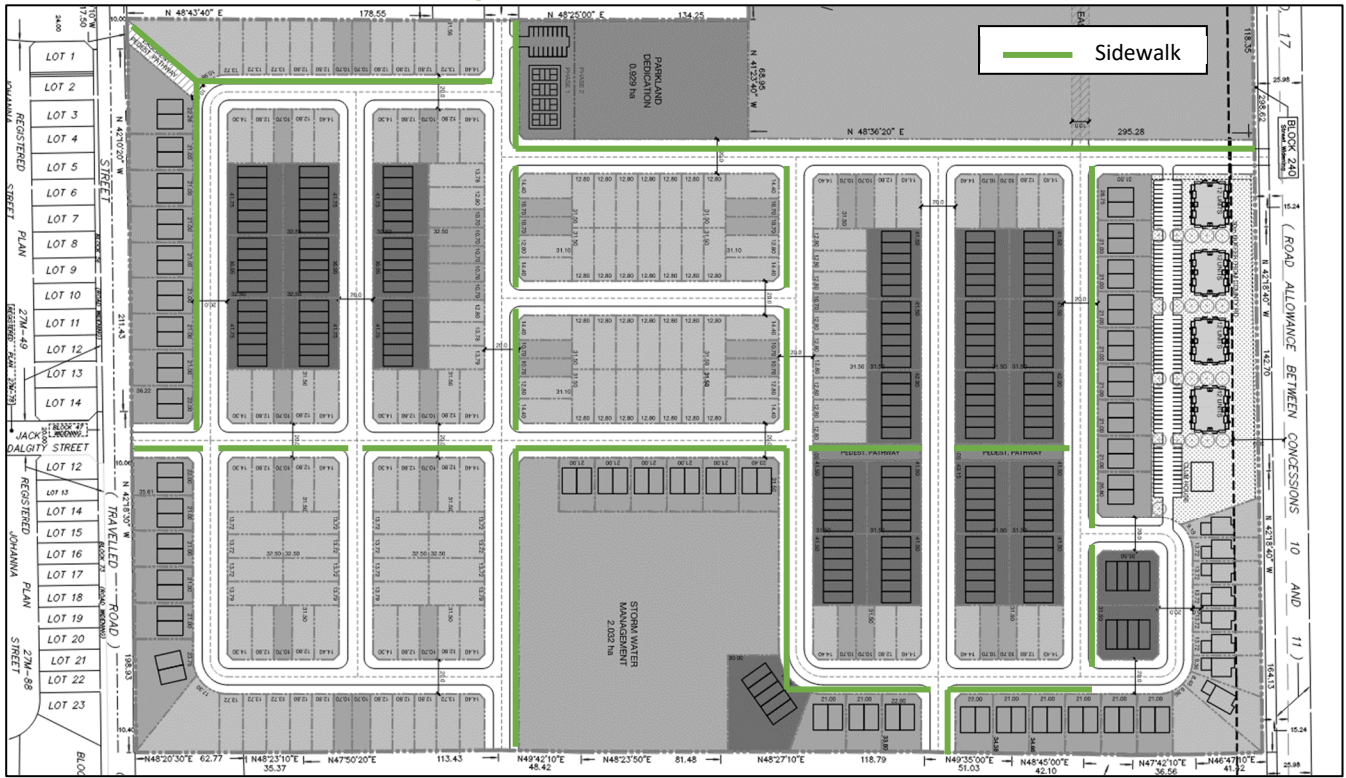
This section provides an overview of community access, street network, parking, and active mode facilities. The proposed Subdivision Concept Plan was previously illustrated in Figure 2.

### 5.1 Design for Sustainable Modes

The proposed development is a residential subdivision where each detached and townhouse dwelling will include a driveway and garage. Bicycle parking is assumed to be within the individual units.

Pedestrian facilities are recommended to be provided within the proposed development between the site accesses, along potential routes of high pedestrian travel demand, and fronting the major recreational draws of the parkland and stormwater management facility. The preliminary recommended sidewalk layout is illustrated in Figure 12.

Figure 12: Recommended Sidewalk Provision



## 5.2 New Streets Network

The new streets proposed as part of the plan of subdivision including 20.0-metre local roads, consistent with the Municipality’s Transportation Master Plan. The local roads are proposed to be posted as 50 km/h at the gateways to the communities, and the internal roads are proposed as having unposted speed limits of 50 km/h.

Within the subdivision, no turn lanes are proposed for the internal intersections and will be controlled by minor stop control.

### 5.2.1 Access Intersection Design Elements

The proposed development will connect to the intersection of Jack Dalgity Street at Paterson Street via a new local road east leg and to Appleton Side Road (County Road 17) via a new local road intersection.

Turn lane warrants from the Transportation Association of Canada’s Geometric Design Guides for Canadian Roads Section 9.17 were examined for Paterson Street and Appleton Side Road to the new community local roads. Neither access intersection was found to warrant a new left-turn lane on the existing road. The results of the turn lane warrants are provided in Appendix I.

No turn lanes are proposed for the new leg of the intersection of Jack Dalgity Street at Paterson Street or the new local road intersecting with Appleton Side Road. The operations are summarized in Section 4.3 for future conditions. No capacity issues were noted at the intersections of Jack Dalgity Street/Access #1 at Paterson Street and Access #2 at Appleton Side Road (County Road 17) with these assumptions.

As discussed above, a signal warrant analysis has been conducted for the 2032 future total horizon using the OTM Book 12 Justification 7 criteria. Using these criteria, a signal was not found to be warranted at the site access intersections. Appendix D includes the signal warrants for the access.

### 5.3 Parking Supply

The required parking is subject to Municipality of Mississippi Mills Zoning By-Law #11-83, 2020, which states for the low-rise apartment units, the minimum resident parking requirement is 1.2 spaces per unit, which equates to 58 spaces, and 0.2 visitor spaces per unit which equates to ten spaces. The inclusion of a garage and driveway of each detached and townhouse unit satisfies the parking for the freehold dwellings. The community is proposed to include 96 parking spaces for the low-rise apartment units, satisfying the combined minimum parking of 68 spaces.

## 6 Findings and Recommendations

- a) The Mill Valley Estates development includes 48 apartment units, 104 detached homes, 158 semi-detached homes, and 185 townhomes.
- b) The proposed development will connect to the intersection of Jack Dalgity Street at Paterson Street via a new local road on the east leg and to Appleton Side Road (County Road 17) via a new local road.
- c) The full build-out horizon year of 2027 and the full build-out plus five years horizon year of 2032 have been analyzed.
- d) No significant planned changes to the area transportation network and no surrounding background developments have been noted.
- e) The proposed development is projected to a total of 243 AM and 313 PM new peak hour two-way vehicle trips during weekdays.
- f) A 1.5% compound annual growth rate was selected to generate the 2027 and 2032 future background traffic volumes.
- g) As no high v/c ratios or high delays were noted in the 2022 existing condition, no mitigation measures are recommended.
- h) The 2027 and 2032 future background traffic volumes, including the background growth was analyzed. It was found that turning movements operate with reasonable LOS and delay and in a similar manner as existing conditions.
- i) With the addition of site traffic volumes to the Study Area intersections, the V/C and delays at intersections within study area will be slightly increased. These changes do not create any failing movements.
- j) Signal warrants are not met at the site access intersections.
- k) The site access intersections operate well in both the 2027 and 2032 horizons with stop control on the minor approach.
- l) Neither access intersection was found to warrant a new left-turn lane on the existing road.
- m) Pedestrian facilities are recommended to be provided within the proposed development between the site accesses, along potential routes of high pedestrian travel demand, and fronting the major recreational draws of the parkland and stormwater management facility.
- n) Within the subdivision, no turn lanes are proposed for the internal intersections and will be controlled by minor stop control.
- o) The community is proposed to include 96 parking spaces for the low-rise apartment units, satisfying the combined minimum parking of 68 spaces, which is outlined in the Municipality of Mississippi Mills Zoning By-Law #11-83, 2020.

The Mill Valley Estates development will have a minor impact on the Study Area road network. The proposed access will operate with reasonable LOS and delay on the turning movements into and out of the site. Additionally,



through the provision of on-site facilities, this development will be supportive of active mode transportation. It is recommended that, from a transportation perspective, the proposed development application proceed.

Prepared By:

Reviewed By:



Yu-Chu Chen, EIT  
Transportation Engineering-Intern



Andrew Harte, P.Eng.  
Senior Transportation Engineer

# Appendix A

Aerial Images and Photos









# Appendix B

Traffic Data and AADT





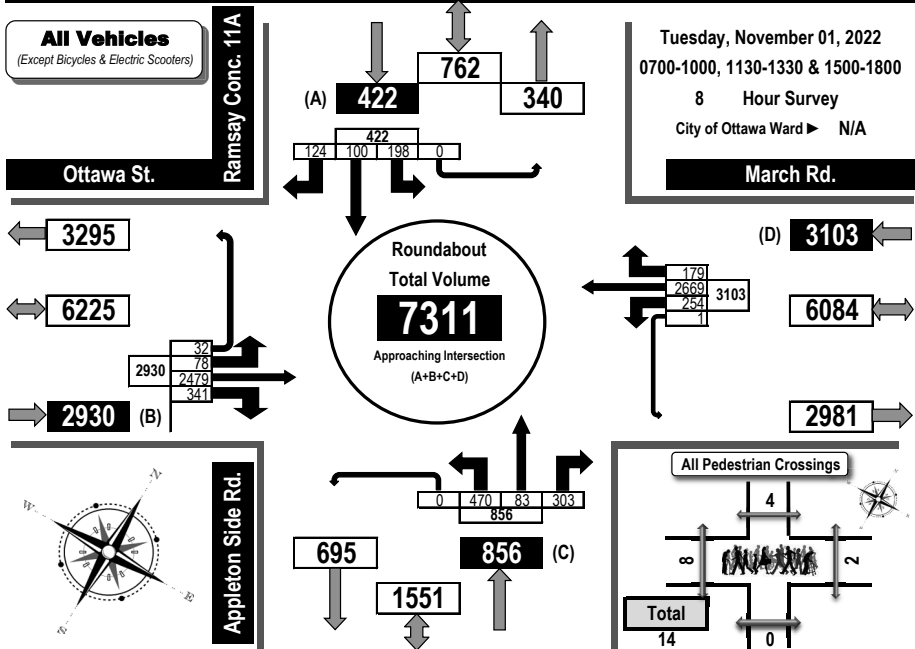


## Turning Movement Count Summary, OFF and EVENING Peak Hour Flow Diagrams

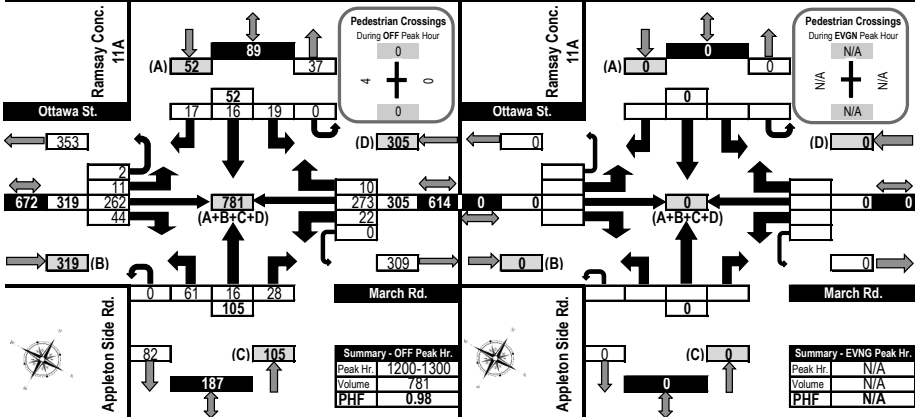


All Vehicles Except Bicycles

**Appleton Side Road/Ramsay Concession 11A & March Road/Ottawa Street** **Almonte, ON**



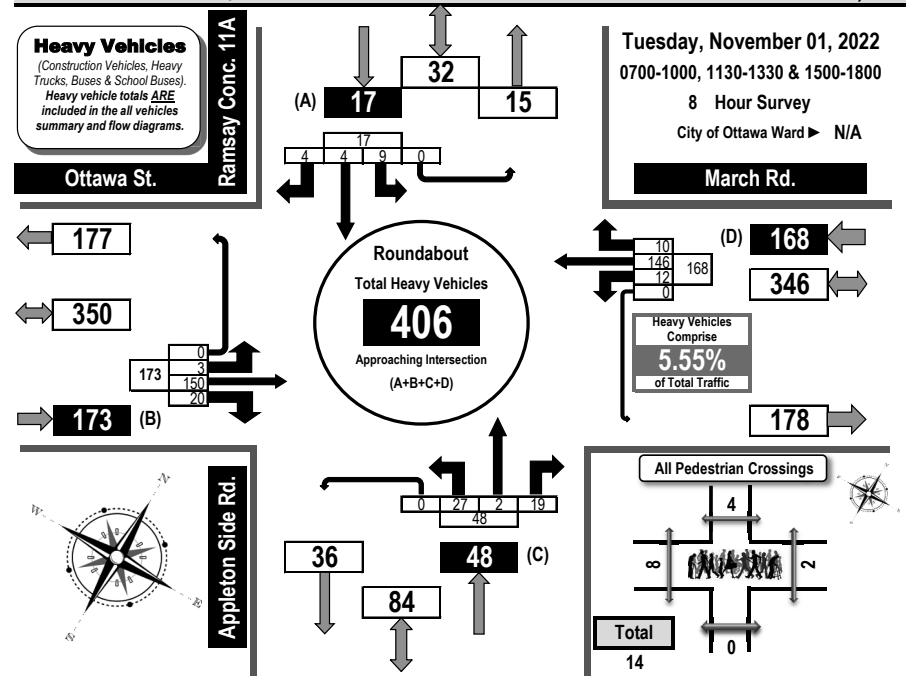
**Off Peak Hour Flow Diagram** **Evening Peak Hour Flow Diagram**



## Turning Movement Count Heavy Vehicle Summary (FHWA Class 4-13) Flow Diagram



**Appleton Side Road/Ramsay Concession 11A & March Road/Ottawa Street** **Almonte, ON**



**Ottawa St.** **March Rd.** **Appletton Side Rd.** **Ramsay Conc. 11A**

Time Period	Eastbound				Westbound				Northbound				Southbound				SB Tot	GR Tot			
	LT	ST	RT	UT	EB Tot	LT	ST	RT	UT	WB Tot	LT	ST	RT	UT	NB Tot	LT			ST	RT	UT
0700-0800	1	20	5	0	26	1	21	2	0	24	3	1	4	0	8	3	0	1	0	4	62
0800-0900	0	28	4	0	32	1	22	2	0	25	5	0	5	0	10	2	0	0	0	2	69
0900-1000	1	23	1	0	25	1	24	2	0	27	1	0	4	0	5	2	1	0	0	3	60
1130-1230	1	16	3	0	20	2	18	1	0	21	3	1	0	0	4	0	1	1	0	2	47
1230-1330	0	22	2	0	24	1	18	0	0	19	7	0	2	0	9	0	1	0	0	1	53
1500-1600	0	20	2	0	22	3	16	1	0	20	5	0	1	0	6	1	0	2	0	3	51
1600-1700	0	16	1	0	17	3	19	2	0	24	3	0	1	0	4	1	1	0	0	2	47
1700-1800	0	5	2	0	7	0	8	0	0	8	0	0	2	0	2	0	0	0	0	0	17
<b>Totals</b>	<b>3</b>	<b>150</b>	<b>20</b>	<b>0</b>	<b>173</b>	<b>12</b>	<b>146</b>	<b>10</b>	<b>0</b>	<b>168</b>	<b>27</b>	<b>2</b>	<b>19</b>	<b>0</b>	<b>48</b>	<b>9</b>	<b>4</b>	<b>4</b>	<b>0</b>	<b>17</b>	<b>406</b>

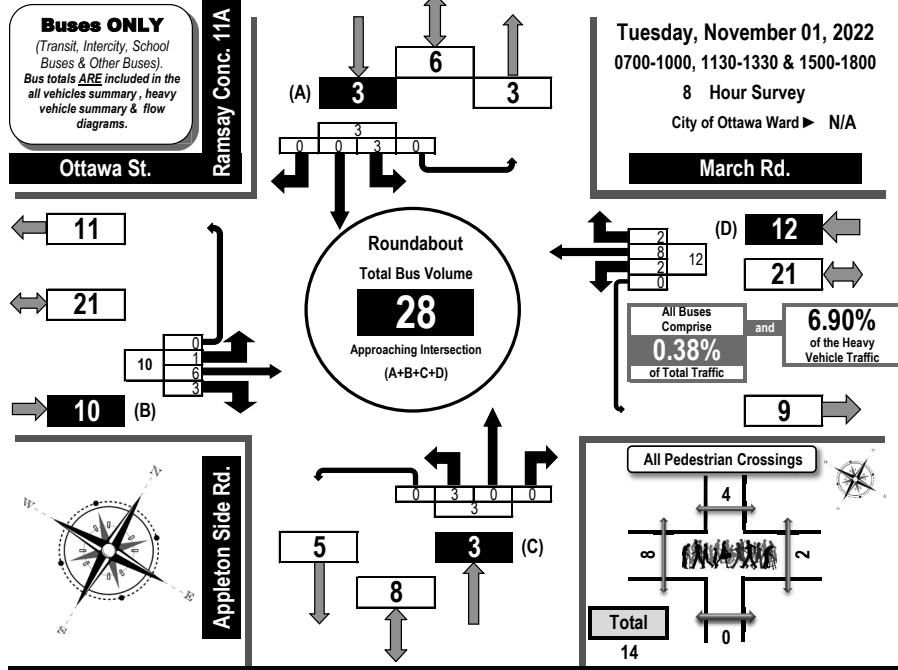
**Comments:**  
School buses comprise 6.90% of the heavy vehicle traffic. There were a few minor conflicts during the day.



### Turning Movement Count All Buses Summary (FHWA Class 4 ONLY) Flow Diagram



Appleton Side Road/Ramsay Concession 11A & March Road/Ottawa Street **Almonte, ON**



Time Period	Ottawa St. Eastbound				March Rd. Westbound				Appleton Side Rd. Northbound				Ramsay Conc. 11A Southbound				GR Tot					
	LT	ST	RT	UT	EB Tot	LT	ST	RT	UT	WB Tot	LT	ST	RT	UT	NB Tot	LT		ST	RT	UT	SB Tot	
0700-0800	1	1	1	0	3	0	2	0	0	2	0	0	0	0	0	1	0	0	0	1	6	
0800-0900	0	3	1	0	4	0	0	0	0	0	1	0	0	0	1	1	0	0	0	0	1	6
0900-1000	0	2	0	0	2	0	3	1	0	4	0	0	0	0	0	0	0	0	0	0	0	6
1130-1230	0	0	0	0	0	0	0	0	0	0	0	0	0	0	0	0	0	0	0	0	0	0
1230-1330	0	0	0	0	0	0	0	0	0	0	0	0	0	0	0	0	0	0	0	0	0	0
1500-1600	0	0	1	0	1	0	0	0	0	0	0	0	0	0	0	1	0	0	0	0	1	2
1600-1700	0	0	0	0	0	2	3	1	0	6	2	0	0	0	2	0	0	0	0	0	0	8
1700-1800	0	0	0	0	0	0	0	0	0	0	0	0	0	0	0	0	0	0	0	0	0	0
<b>Totals</b>	<b>1</b>	<b>6</b>	<b>3</b>	<b>0</b>	<b>10</b>	<b>2</b>	<b>8</b>	<b>2</b>	<b>0</b>	<b>12</b>	<b>3</b>	<b>0</b>	<b>0</b>	<b>0</b>	<b>3</b>	<b>3</b>	<b>0</b>	<b>0</b>	<b>0</b>	<b>3</b>	<b>28</b>	

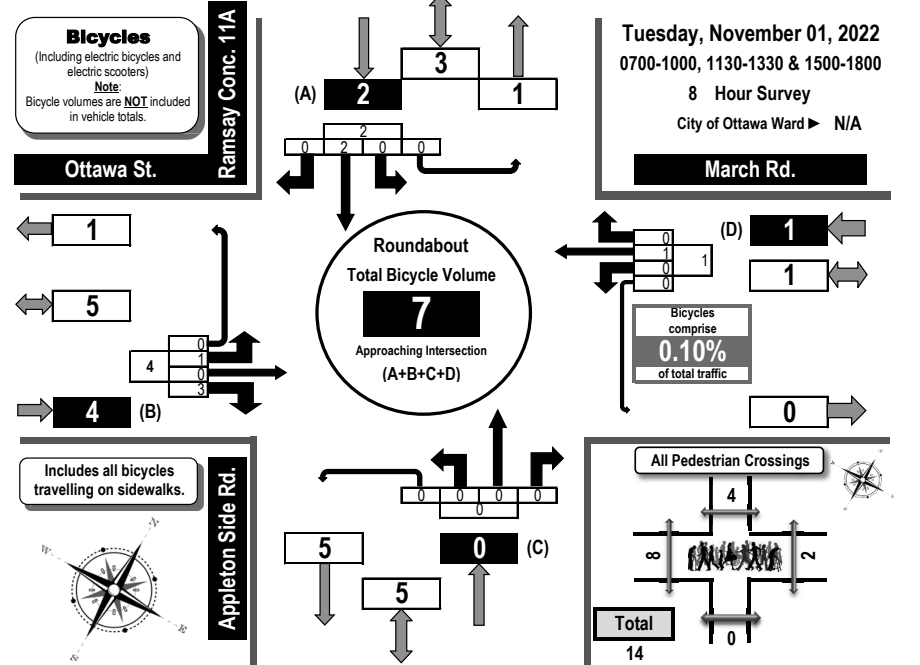
Comments:  
School buses comprise 6.90% of the heavy vehicle traffic. There were a few minor conflicts during the day.



### Turning Movement Count Bicycle Summary Flow Diagram



Appleton Side Road/Ramsay Concession 11A & March Road/Ottawa Street **Almonte, ON**



Time Period	Ottawa St. Eastbound				March Rd. Westbound				Appleton Side Rd. Northbound				Ramsay Conc. 11A Southbound				GR Tot					
	LT	ST	RT	UT	EB Tot	LT	ST	RT	UT	WB Tot	LT	ST	RT	UT	NB Tot	LT		ST	RT	UT	SB Tot	
0700-0800	0	0	0	0	0	0	0	0	0	0	0	0	0	0	0	0	0	0	0	0	0	0
0800-0900	1	0	0	0	1	0	0	0	0	0	0	0	0	0	0	0	0	0	0	0	0	1
0900-1000	0	0	0	0	0	0	1	0	0	1	0	0	0	0	0	0	0	0	0	0	0	1
1130-1230	0	0	2	0	2	0	0	0	0	0	0	0	0	0	0	0	2	0	0	0	2	4
1230-1330	0	0	0	0	0	0	0	0	0	0	0	0	0	0	0	0	0	0	0	0	0	0
1500-1600	0	0	0	0	0	0	0	0	0	0	0	0	0	0	0	0	0	0	0	0	0	0
1600-1700	0	0	1	0	1	0	0	0	0	0	0	0	0	0	0	0	0	0	0	0	0	1
1700-1800	0	0	0	0	0	0	0	0	0	0	0	0	0	0	0	0	0	0	0	0	0	0
<b>Totals</b>	<b>1</b>	<b>0</b>	<b>3</b>	<b>0</b>	<b>4</b>	<b>0</b>	<b>1</b>	<b>0</b>	<b>0</b>	<b>1</b>	<b>0</b>	<b>0</b>	<b>0</b>	<b>0</b>	<b>0</b>	<b>2</b>	<b>0</b>	<b>0</b>	<b>0</b>	<b>2</b>	<b>7</b>	

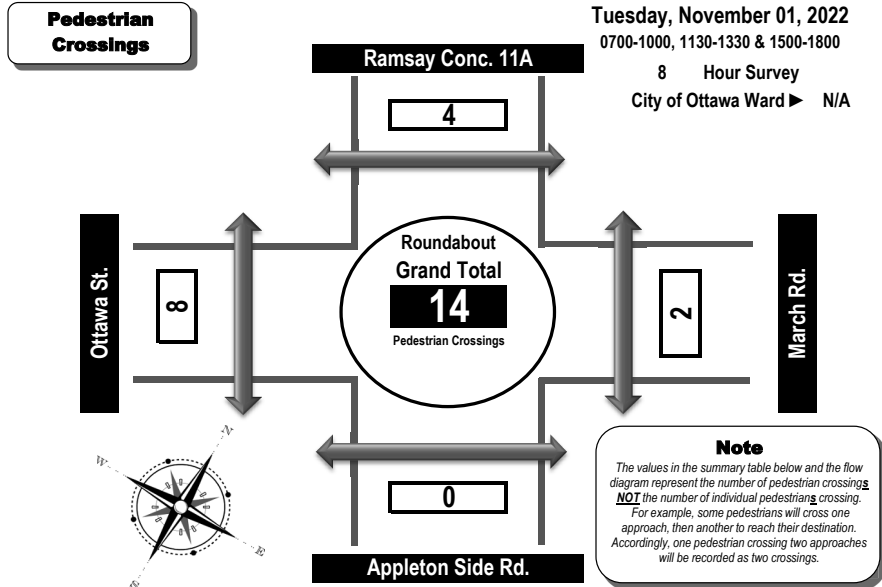
Comments:  
School buses comprise 6.90% of the heavy vehicle traffic. There were a few minor conflicts during the day.



## Turning Movement Count Pedestrian Crossings Summary and Flow Diagram



**Appleton Side Road/Ramsay Concession 11A & March Road/Ottawa Street      **Almonte, ON****



Time Period	West Side Crossing Ottawa St.	East Side Crossing March Rd.	Street Total	South Side Crossing Appleton Side Rd.	North Side Crossing Ramsay Conc. 11A	Street Total	Grand Total
0700-0800	0	0	0	0	0	0	0
0800-0900	0	0	0	0	2	2	2
0900-1000	1	0	1	0	0	0	1
1130-1230	4	0	4	0	0	0	4
1230-1330	0	0	0	0	0	0	0
1500-1600	0	2	2	0	2	2	4
1600-1700	3	0	3	0	0	0	3
1700-1800	0	0	0	0	0	0	0
<b>Totals</b>	<b>8</b>	<b>2</b>	<b>10</b>	<b>0</b>	<b>4</b>	<b>4</b>	<b>14</b>

**Comments:**  
School buses comprise 6.90% of the heavy vehicle traffic. There were a few minor conflicts during the day.



## Turning Movement Count Summary Report Including Peak Hours, AADT and Expansion Factors All Vehicles Except Bicycles



**Ottawa Street & Menzie Road/Paterson Street      **Almonte, ON****

Survey Date: Tuesday, November 01, 2022      Start Time: 0700      AADT Factor: 1.0  
Weather AM: Overcast 10° C      Survey Duration: 8 Hrs.      Survey Hours: 0700-1000, 1130-1330 & 1500-1800  
Weather PM: Mostly Sunny 16° C      Surveyor(s): T. Carmody

Time Period	Ottawa St. Eastbound					Ottawa St. Westbound					Paterson St. Northbound					Menzie Rd. Southbound							
	LT	ST	RT	UT	E/B Tot	LT	ST	RT	UT	W/B Tot	LT	ST	RT	UT	N/B Tot	LT	ST	RT	UT	S/B Tot			
	Street Total																						
0700-0800	0	487	35	0	522	30	238	1	0	269	791	30	4	58	0	92	8	7	2	0	17	109	900
0800-0900	3	459	63	0	525	60	293	2	0	355	880	26	4	62	0	92	4	12	7	0	23	115	995
0900-1000	1	509	65	0	575	50	370	3	0	423	998	77	9	77	0	163	2	14	6	0	22	185	1183
1130-1230	5	471	26	0	502	40	444	5	0	489	991	45	3	52	0	100	4	2	6	0	12	112	1103
1230-1330	5	431	29	0	465	40	430	8	0	478	943	45	1	33	0	79	3	4	12	0	19	98	1041
1500-1600	8	485	68	0	561	62	606	7	0	675	1236	79	18	44	0	141	9	6	6	0	21	162	1398
1600-1700	4	496	46	0	546	65	744	7	0	816	1362	76	8	57	0	141	7	4	6	0	17	158	1520
1700-1800	2	431	25	0	458	64	634	3	0	701	1159	59	6	30	0	95	3	6	2	0	11	106	1265
<b>Totals</b>	<b>28</b>	<b>3769</b>	<b>357</b>	<b>0</b>	<b>4154</b>	<b>411</b>	<b>3759</b>	<b>36</b>	<b>0</b>	<b>4206</b>	<b>8360</b>	<b>437</b>	<b>53</b>	<b>413</b>	<b>0</b>	<b>903</b>	<b>40</b>	<b>55</b>	<b>47</b>	<b>0</b>	<b>142</b>	<b>1045</b>	<b>9405</b>

**Equivalent 12 & 24-hour Vehicle Volumes Including the Annual Average Daily Traffic (AADT) Factor**  
Applicable to the Day and Month of the Turning Movement Count  
Expansion factors are applied exclusively to standard weekday 8-hour turning movement counts  
conducted during the hours of 0700h - 1000h, 1130h - 1330h and 1500h - 1800h

Equivalent 12-hour vehicle volumes. These volumes are calculated by multiplying the 8-hour totals by the 8 → 12 expansion factor of 1.39																							
Equ. 12 Hr	39	5239	496	0	5774	571	5225	50	0	5846	11620	607	74	574	0	1255	56	76	65	0	197	1453	13073

Average daily 12-hour vehicle volumes. These volumes are calculated by multiplying the equivalent 12-hour totals by the AADT factor of: 1.0																							
AADT 12-hr	39	5239	496	0	5774	571	5225	50	0	5846	11620	607	74	574	0	1255	56	76	65	0	197	1453	13073

24-Hour AADT. These volumes are calculated by multiplying the average daily 12-hour vehicle volumes by the 12 → 24 expansion factor of 1.31																							
AADT 24 Hr	51	6863	650	0	7564	748	6845	66	0	7659	15223	796	97	752	0	1644	73	100	86	0	259	1903	17126

**AADT and expansion factors provided by the City of Ottawa**

AM Peak Hour Factor → 0.93											Highest Hourly Vehicle Volume Between 0700h & 1000h												
AM Peak Hr	LT	ST	RT	UT	Total	LT	ST	RT	UT	Total	Str. Tot.	LT	ST	RT	UT	Total	LT	ST	RT	UT	Total	Str. Tot.	Gr. Tot.
0900-1000	1	509	65	0	575	50	370	3	0	423	998	77	9	77	0	163	2	14	6	0	22	185	1183
OFF Peak Hour Factor → 0.97											Highest Hourly Vehicle Volume Between 1130h & 1330h												
OFF Peak Hr	LT	ST	RT	UT	Total	LT	ST	RT	UT	Total	Str. Tot.	LT	ST	RT	UT	Total	LT	ST	RT	UT	Total	Str. Tot.	Gr. Tot.
1145-1245	3	476	28	0	507	45	439	5	0	489	996	47	3	51	0	101	1	1	9	0	11	112	1108
PM Peak Hour Factor → 0.95											Highest Hourly Vehicle Volume Between 1500h & 1800h												
PM Peak Hr	LT	ST	RT	UT	Total	LT	ST	RT	UT	Total	Str. Tot.	LT	ST	RT	UT	Total	LT	ST	RT	UT	Total	Str. Tot.	Gr. Tot.
1545-1645	4	510	47	0	561	60	741	11	0	812	1373	86	8	64	0	158	7	3	5	0	15	173	1546

**Comments:**  
School buses comprise 15.83% of the heavy vehicle traffic. A crossing guard assisted pedestrians crossing Ottawa Street and Paterson Street before and after school.

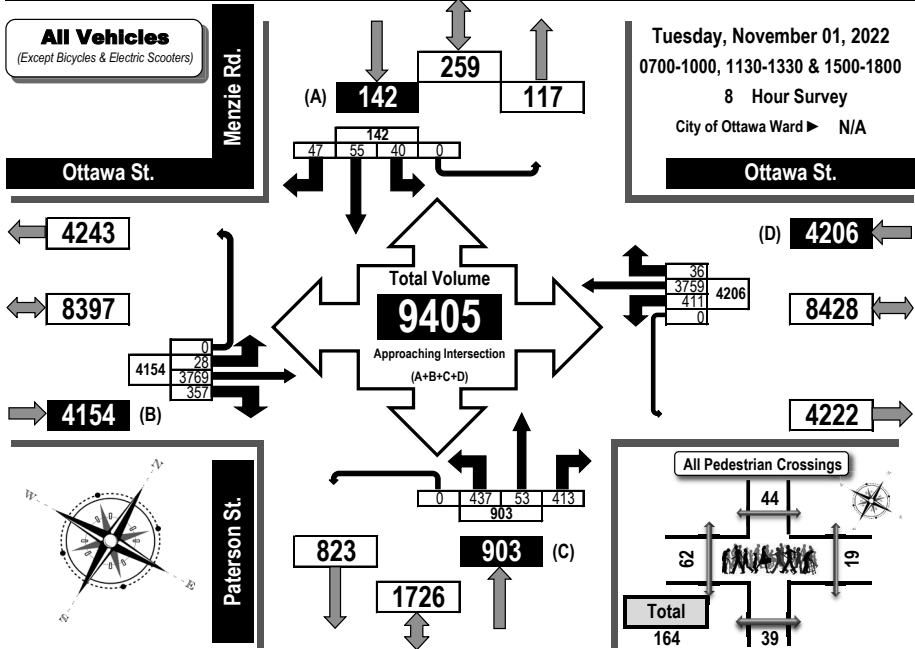
**Notes:**  
1. Includes all vehicle types except bicycles, electric bicycles, and electric scooters.  
2. When expansion and AADT factors are applied, the results will differ slightly due to rounding.



### Turning Movement Count Summary, AM and PM Peak Hour Flow Diagrams All Vehicles Except Bicycles

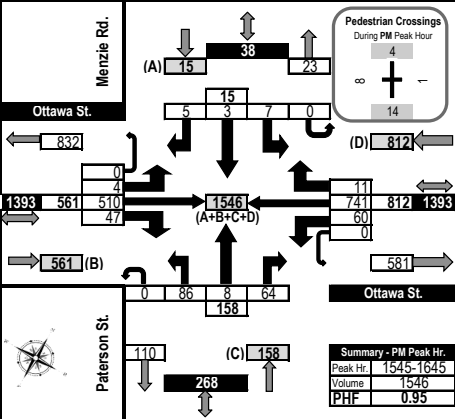
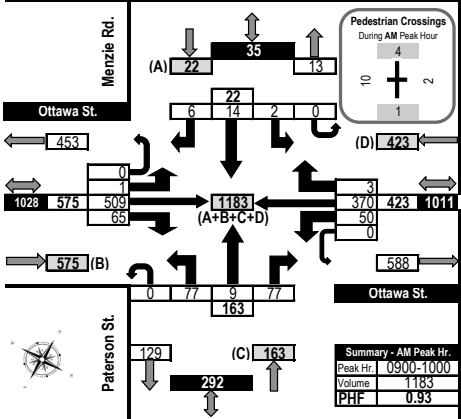


#### Ottawa Street & Menzie Road/Paterson Street Almonte, ON



#### AM Peak Hour Flow Diagram

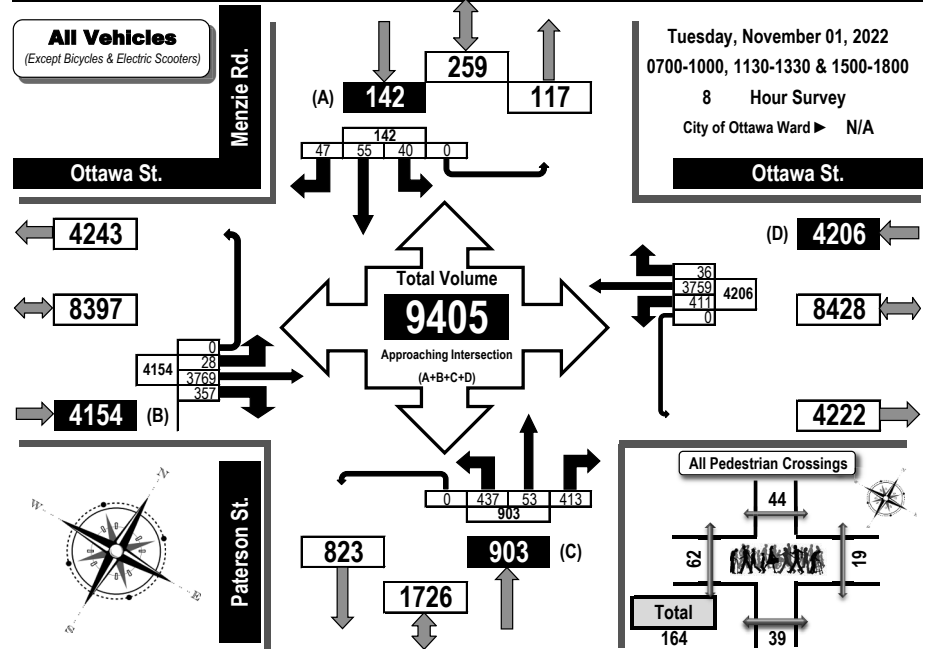
#### PM Peak Hour Flow Diagram



### Turning Movement Count Summary, OFF and EVENING Peak Hour Flow Diagrams All Vehicles Except Bicycles

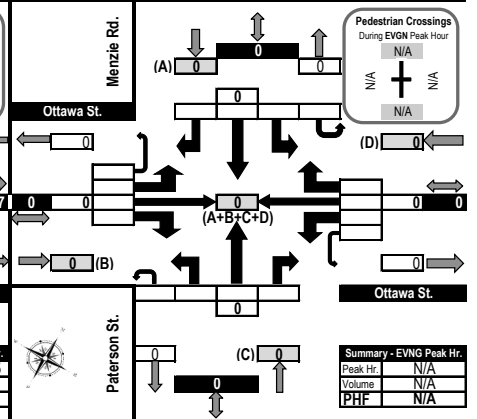
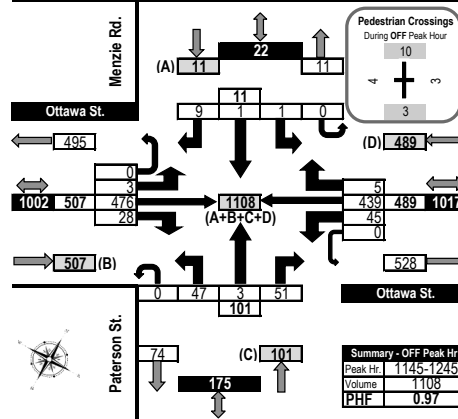


#### Ottawa Street & Menzie Road/Paterson Street Almonte, ON



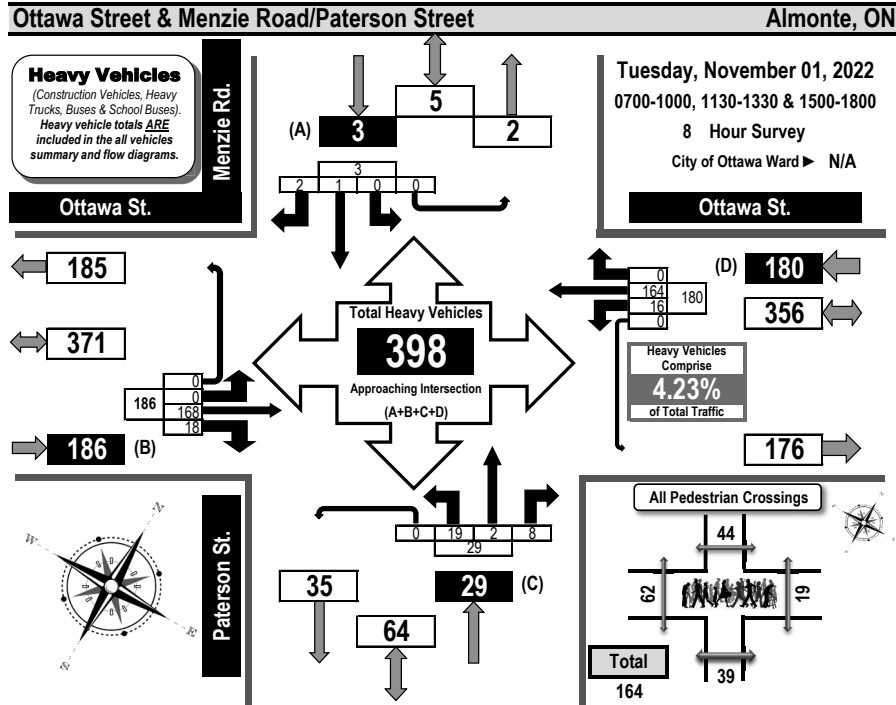
#### Off Peak Hour Flow Diagram

#### Evening Peak Hour Flow Diagram





### Turning Movement Count Heavy Vehicle Summary (FHWA Class 4-13) Flow Diagram

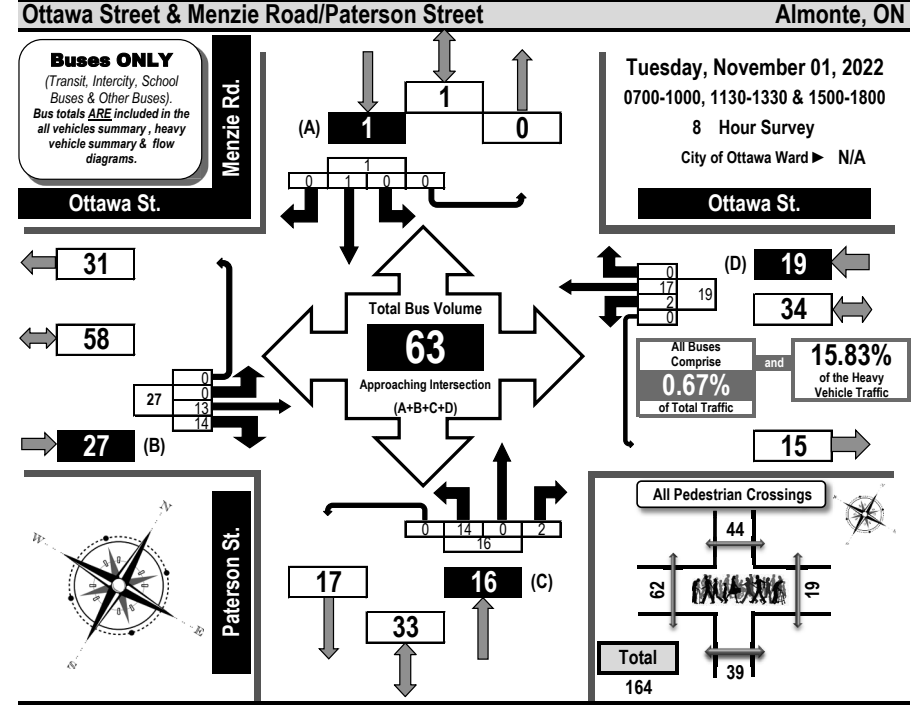


Time Period	Ottawa St. Eastbound				Ottawa St. Westbound				Paterson St. Northbound				Menzie Rd. Southbound				SB Tot	GR Tot		
	LT	ST	RT	UT	EB Tot	LT	ST	RT	UT	WB Tot	LT	ST	RT	UT	NB Tot	LT			ST	RT
0700-0800	0	28	2	0	30	3	23	0	0	26	3	0	0	1	0	1	0	1	60	
0800-0900	0	30	2	0	32	5	20	0	0	25	2	0	1	0	3	0	1	0	1	61
0900-1000	0	24	6	0	30	2	27	0	0	29	6	0	3	0	9	0	0	0	0	68
1130-1230	0	16	0	0	16	2	21	0	0	23	1	0	2	0	3	0	0	0	0	42
1230-1330	0	25	0	0	25	1	22	0	0	23	0	0	1	0	1	0	0	0	0	49
1500-1600	0	24	8	0	32	2	22	0	0	24	7	2	0	0	9	0	0	0	0	65
1600-1700	0	15	0	0	15	1	23	0	0	24	0	0	1	0	1	0	0	0	0	40
1700-1800	0	6	0	0	6	0	6	0	0	6	0	0	0	0	0	0	1	0	1	13
<b>Totals</b>	0	168	18	0	186	16	164	0	0	180	19	2	8	0	29	0	1	2	0	398

**Comments:**  
School buses comprise 15.83% of the heavy vehicle traffic. A crossing guard assisted pedestrians crossing Ottawa Street and Paterson Street before and after school.



### Turning Movement Count All Buses Summary (FHWA Class 4 ONLY) Flow Diagram

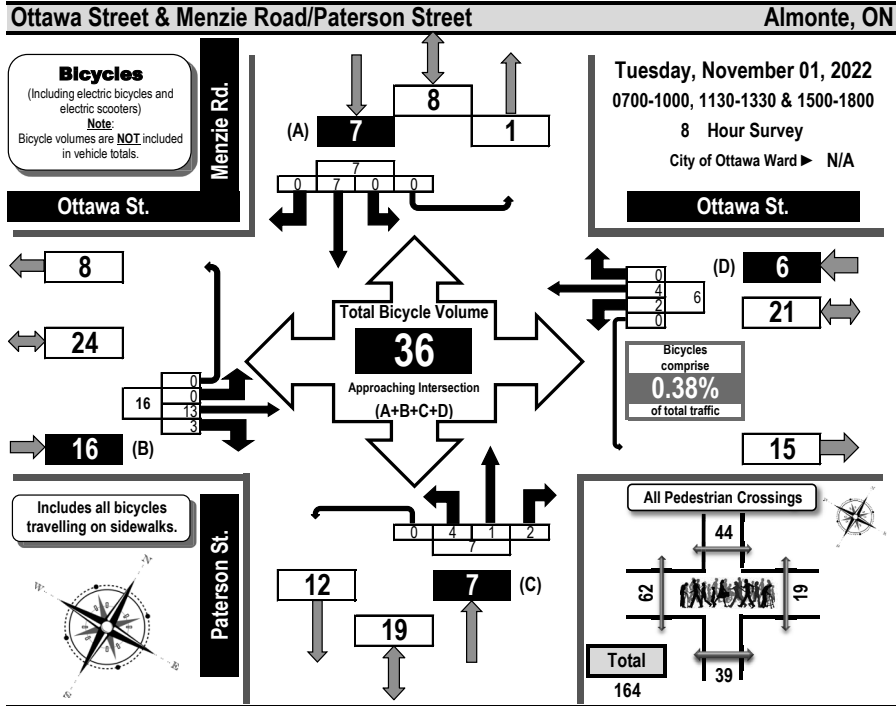


Time Period	Ottawa St. Eastbound				Ottawa St. Westbound				Paterson St. Northbound				Menzie Rd. Southbound				SB Tot	GR Tot		
	LT	ST	RT	UT	EB Tot	LT	ST	RT	UT	WB Tot	LT	ST	RT	UT	NB Tot	LT			ST	RT
0700-0800	0	4	1	0	5	0	2	0	0	2	1	0	0	0	1	0	0	0	0	8
0800-0900	0	3	2	0	5	0	1	0	0	1	0	0	0	0	0	0	1	0	0	7
0900-1000	0	2	5	0	7	1	5	0	0	6	6	0	2	0	8	0	0	0	0	21
1130-1230	0	1	0	0	1	0	1	0	0	1	0	0	0	0	0	0	0	0	0	2
1230-1330	0	1	0	0	1	0	0	0	0	0	0	0	0	0	0	0	0	0	0	1
1500-1600	0	2	6	0	8	1	3	0	0	4	7	0	0	0	7	0	0	0	0	19
1600-1700	0	0	0	0	0	0	5	0	0	5	0	0	0	0	0	0	0	0	0	5
1700-1800	0	0	0	0	0	0	0	0	0	0	0	0	0	0	0	0	0	0	0	0
<b>Totals</b>	0	13	14	0	27	2	17	0	0	19	14	0	2	0	16	0	1	0	0	63

**Comments:**  
School buses comprise 15.83% of the heavy vehicle traffic. A crossing guard assisted pedestrians crossing Ottawa Street and Paterson Street before and after school.



### Turning Movement Count Bicycle Summary Flow Diagram

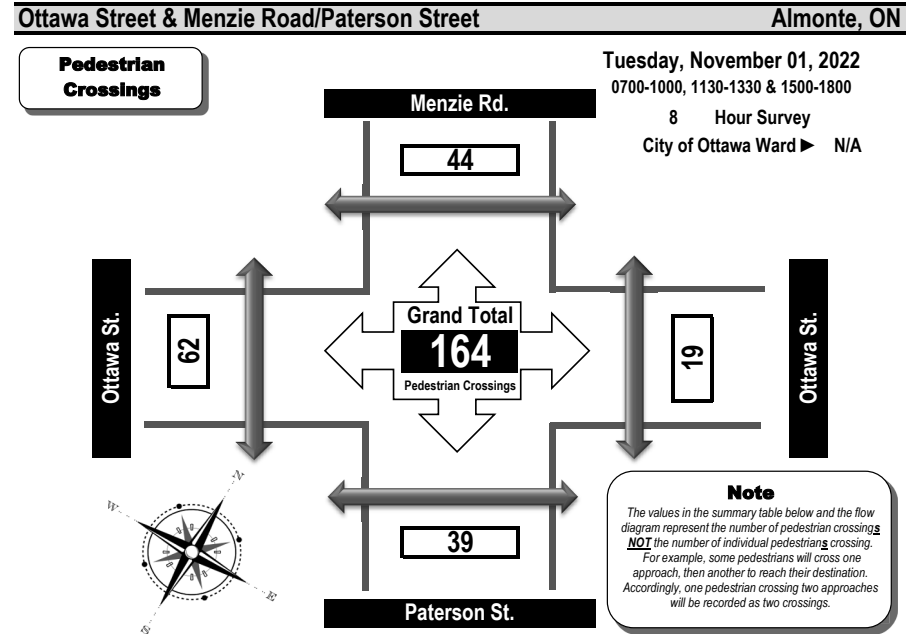


Time Period	Ottawa St. Eastbound				Ottawa St. Westbound				Paterson St. Northbound				Paterson St. Southbound				GR Tot		
	LT	ST	RT	UT	LT	ST	RT	UT	LT	ST	RT	UT	LT	ST	RT	UT			
	EB Tot				WB Tot				NB Tot				SB Tot						
0700-0800	0	1	0	0	1	0	0	0	0	0	0	0	0	0	0	0	0	0	1
0800-0900	0	2	0	0	2	0	0	0	0	0	1	0	0	0	1	0	0	0	3
0900-1000	0	1	1	0	2	0	2	0	0	2	0	0	0	0	0	2	0	0	6
1130-1230	0	2	0	0	2	0	1	0	0	1	0	0	0	0	0	0	0	0	3
1230-1330	0	3	1	0	4	0	0	0	0	0	1	0	0	0	1	0	0	0	5
1500-1600	0	2	1	0	3	0	0	0	0	0	1	1	0	0	2	0	1	0	6
1600-1700	0	2	0	0	2	2	1	0	0	3	0	0	2	0	2	0	2	0	9
1700-1800	0	0	0	0	0	0	0	0	0	0	1	0	0	0	1	0	2	0	3
<b>Totals</b>	<b>0</b>	<b>13</b>	<b>3</b>	<b>0</b>	<b>16</b>	<b>2</b>	<b>4</b>	<b>0</b>	<b>0</b>	<b>6</b>	<b>4</b>	<b>1</b>	<b>2</b>	<b>0</b>	<b>7</b>	<b>0</b>	<b>7</b>	<b>0</b>	<b>36</b>

**Comments:**  
School buses comprise 15.83% of the heavy vehicle traffic. A crossing guard assisted pedestrians crossing Ottawa Street and Paterson Street before and after school.



### Turning Movement Count Pedestrian Crossings Summary and Flow Diagram



Time Period	West Side Crossing				Street Total	East Side Crossing				Street Total	Grand Total
	Ottawa St.					Paterson St.					
0700-0800	3	1	0	0	4	3	0	0	0	6	10
0800-0900	3	0	0	0	3	2	0	0	0	8	11
0900-1000	10	2	0	0	12	1	0	0	0	5	17
1130-1230	9	4	0	0	13	5	0	0	0	17	30
1230-1330	4	3	0	0	7	3	0	0	0	7	14
1500-1600	28	4	0	0	32	12	0	0	0	14	46
1600-1700	2	1	0	0	3	7	0	0	0	13	16
1700-1800	3	4	0	0	7	6	0	0	0	13	20
<b>Totals</b>	<b>62</b>	<b>19</b>	<b>0</b>	<b>0</b>	<b>81</b>	<b>39</b>	<b>0</b>	<b>0</b>	<b>0</b>	<b>83</b>	<b>164</b>

**Comments:**  
School buses comprise 15.83% of the heavy vehicle traffic. A crossing guard assisted pedestrians crossing Ottawa Street and Paterson Street before and after school.





## Turning Movement Count Summary Report Including Peak Hours, AADT and Expansion Factors All Vehicles Except Bicycles



### Appleton Side Road & Industrial Drive Almonte, ON

**Survey Date:** Wednesday, November 02, 2022      **Start Time:** 0700      **AADT Factor:** 0.9  
**Weather AM:** Sunny 5° C      **Survey Duration:** 8 Hrs.      **Survey Hours:** 0700-1000, 1130-1330 & 1500-1800  
**Weather PM:** Sunny 15° C      **Surveyor(s):** J. Mousseau

Time Period	Industrial Dr.					N/A					Appleton Side Rd.					Appleton Side Rd.					Grand Total		
	Eastbound					Westbound					Northbound					Southbound							
	LT	ST	RT	UT	E/B Tot	LT	ST	RT	UT	W/B Tot	LT	ST	RT	UT	N/B Tot	LT	ST	RT	UT	S/B Tot		Street Total	Street Total
0700-0800	5	12	1	18							18	13	45	0	58						73	131	149
0800-0900	8	15	0	23							23	27	53	0	80						77	157	180
0900-1000	10	15	0	25							25	22	49	0	71						69	140	165
1130-1230	14	23	0	37							37	18	53	0	71						94	165	202
1230-1330	18	6	0	24							24	17	68	0	85						83	168	192
1500-1600	9	26	0	35							35	30	82	0	112						100	212	247
1600-1700	11	19	0	30							30	30	71	0	101						132	233	263
1700-1800	13	20	0	33							33	26	66	0	92						77	169	202
<b>Totals</b>	<b>88</b>	<b>136</b>	<b>1</b>	<b>225</b>							<b>225</b>	<b>183</b>	<b>487</b>	<b>0</b>	<b>670</b>					<b>705</b>	<b>1375</b>	<b>1600</b>	

**Equivalent 12 & 24-hour Vehicle Volumes Including the Annual Average Daily Traffic (AADT) Factor**  
**Applicable to the Day and Month of the Turning Movement Count**  
**Expansion factors are applied exclusively to standard weekday 8-hour turning movement counts**  
**conducted during the hours of 0700h - 1000h, 1130h - 1330h and 1500h - 1800h**

Equivalent 12-hour vehicle volumes. These volumes are calculated by multiplying the 8-hour totals by the 8 → 12 expansion factor of 1.39																							
Equ. 12 Hr	122	0	189	1	313	0	0	0	0	0	313	254	677	0	0	931	0	799	178	3	980	1911	2224

Average daily 12-hour vehicle volumes. These volumes are calculated by multiplying the equivalent 12-hour totals by the AADT factor of: 0.9																							
AADT 12-hr	110	0	170	1	281	0	0	0	0	0	281	229	609	0	0	838	0	719	160	3	882	1720	2002

24-Hour AADT. These volumes are calculated by multiplying the average daily 12-hour vehicle volumes by the 12 → 24 expansion factor of 1.31																							
AADT 24 Hr	144	0	223	2	369	0	0	0	0	0	369	300	798	0	0	1098	0	942	210	3	1155	2253	2622

#### AADT and expansion factors provided by the City of Ottawa

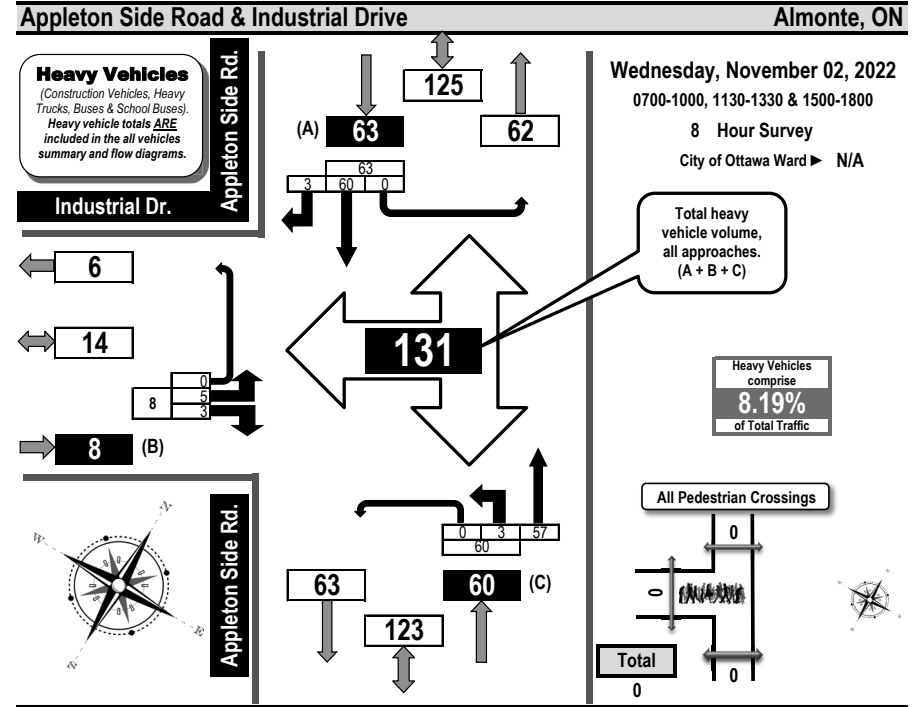
<b>AM Peak Hour Factor</b> → 0.86					<b>Highest Hourly Vehicle Volume Between 0700h &amp; 1000h</b>																		
AM Peak Hr	LT	ST	RT	UT	Total	Str. Tot.	LT	ST	RT	UT	Total	Str. Tot.	LT	ST	RT	UT	Total	Str. Tot.	Gr. Tot.				
0845-0945	14	0	20	0	34	0	0	0	0	0	34	26	55	0	0	81	0	59	15	0	74	155	189
<b>OFF Peak Hour Factor</b> → 0.81					<b>Highest Hourly Vehicle Volume Between 1130h &amp; 1330h</b>																		
OFF Peak Hr	LT	ST	RT	UT	Total	Str. Tot.	LT	ST	RT	UT	Total	Str. Tot.	LT	ST	RT	UT	Total	Str. Tot.	Gr. Tot.				
1130-1230	14	0	23	0	37	0	0	0	0	0	37	18	53	0	0	71	0	69	24	1	94	165	202
<b>PM Peak Hour Factor</b> → 0.96					<b>Highest Hourly Vehicle Volume Between 1500h &amp; 1800h</b>																		
PM Peak Hr	LT	ST	RT	UT	Total	Str. Tot.	LT	ST	RT	UT	Total	Str. Tot.	LT	ST	RT	UT	Total	Str. Tot.	Gr. Tot.				
1615-1715	13	0	21	0	34	0	0	0	0	0	34	35	72	0	0	107	0	107	27	1	135	242	276

**Comments:**  
School buses comprise 7.63% of the heavy vehicle traffic.

- Notes:**
1. Includes all vehicle types except bicycles, electric bicycles, and electric scooters.
  2. When expansion and AADT factors are applied, the results will differ slightly due to rounding.



## Turning Movement Count Heavy Vehicle Summary (FHWA Class 4 to 13) Flow Diagram



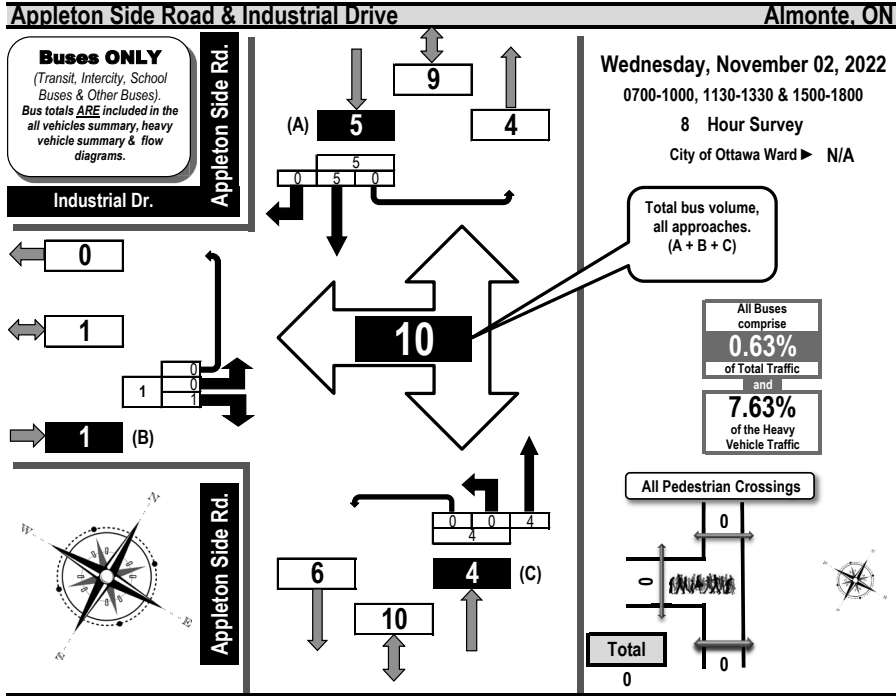
Time Period	Industrial Dr.					N/A					Appleton Side Rd.					Appleton Side Rd.					Gr Tot
	Eastbound					Westbound					Northbound					Southbound					
	LT	ST	RT	UT	EB Tot	LT	ST	RT	UT	WB Tot	LT	ST	RT	UT	NB Tot	LT	ST	RT	UT	SB Tot	
0700-0800	1		1	0	2						0	8		0	8		5	0	0	5	15
0800-0900	0		1	0	1						0	5		0	5		6	1	0	7	13
0900-1000	3		0	0	3						1	5		0	6		6	0	0	6	15
1130-1230	0		0	0	0						0	7		0	7		8	0	0	8	15
1230-1330	1		0	0	1						1	11		0	12		9	0	0	9	22
1500-1600	0		0	0	0						0	14		0	14		9	0	0	9	23
1600-1700	0		1	0	1						1	5		0	6		13	1	0	14	21
1700-1800	0		0	0	0						0	2		0	2		4	1	0	5	7
<b>Totals</b>	<b>5</b>	<b></b>	<b>3</b>	<b>0</b>	<b>8</b>	<b></b>	<b></b>	<b></b>	<b></b>	<b></b>	<b>3</b>	<b>57</b>	<b></b>	<b>0</b>	<b>60</b>	<b></b>	<b>60</b>	<b>3</b>	<b>0</b>	<b>63</b>	<b>131</b>

**Comments:**  
School buses comprise 7.63% of the heavy vehicle traffic.





### Turning Movement Count All Buses Summary (FHWA Class 4 ONLY) Flow Diagram

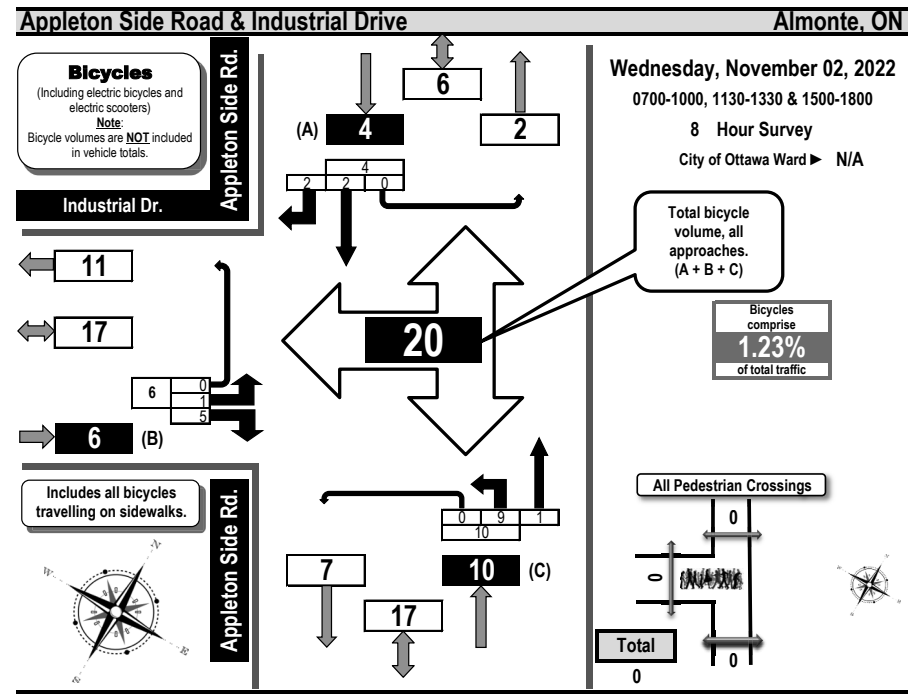


Time Period	Industrial Dr.				N/A				Appleton Side Rd.				Appleton Side Rd.						
	Eastbound		Westbound		Northbound		Southbound		Eastbound		Westbound		Northbound		Southbound				
	LT	ST	RT	UT	LT	ST	RT	UT	LT	ST	RT	UT	LT	ST	RT	UT			
0700-0800	0		1	0	1										1	0	0	1	2
0800-0900	0		0	0	0						1	0	1	0	0	1	2		
0900-1000	0		0	0	0						0	0	0	0	0	0	0		
1130-1230	0		0	0	0						0	0	0	0	0	0	0		
1230-1330	0		0	0	0		1	0	1	0	0	0	0	0	0	0	1		
1500-1600	0		0	0	0						0	0	1	0	0	1	1		
1600-1700	0		0	0	0		2	0	2	2	0	0	2	0	0	2	4		
1700-1800	0		0	0	0						0	0	0	0	0	0	0		
<b>Totals</b>	0		1	0	1				0	4	0	4	5	0	0	5	10		

Comments:  
School buses comprise 7.63% of the heavy vehicle traffic.



### Turning Movement Count Bicycle Summary Flow Diagram



Time Period	Industrial Dr.				N/A				Appleton Side Rd.				Appleton Side Rd.				
	Eastbound		Westbound		Northbound		Southbound		Eastbound		Westbound		Northbound		Southbound		
	LT	ST	RT	UT	LT	ST	RT	UT	LT	ST	RT	UT	LT	ST	RT	UT	
0700-0800	0		0	0	0						0	0	0	0	0	0	0
0800-0900	0		0	0	0						1	0	0	1	0	0	0
0900-1000	0		2	0	2						0	0	0	0	0	0	2
1130-1230	1		1	0	2						2	0	0	2	0	1	5
1230-1330	0		0	0	0		1	0	1	2	0	0	1	2	0	0	3
1500-1600	0		2	0	2						4	0	0	4	0	0	6
1600-1700	0		0	0	0		1	0	1	0	0	1	0	1	0	1	2
1700-1800	0		0	0	0						0	1	0	1	0	0	1
<b>Totals</b>	1		5	0	6				9	1	0	10	2	2	0	4	20

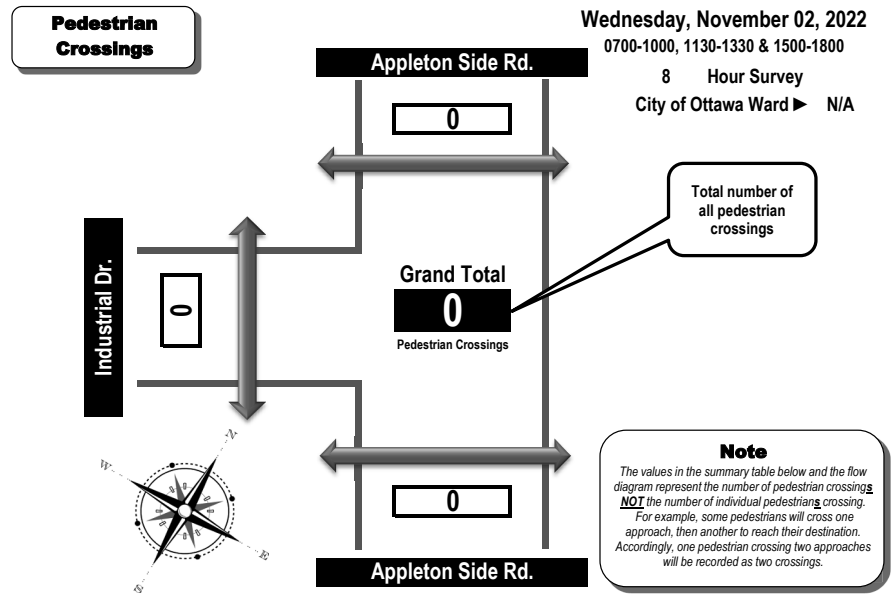
Comments:  
School buses comprise 7.63% of the heavy vehicle traffic.



### Turning Movement Count Pedestrian Crossings Summary and Flow Diagram



#### Appleton Side Road & Industrial Drive Almonte, ON



Time Period	West Side Crossing Industrial Dr.	East Side Crossing N/A	Street Total	South Side Crossing Appleton Side Rd.	North Side Crossing Appleton Side Rd.	Street Total	Grand Total
0700-0800	0		0	0	0	0	0
0800-0900	0		0	0	0	0	0
0900-1000	0		0	0	0	0	0
1130-1230	0		0	0	0	0	0
1230-1330	0		0	0	0	0	0
1500-1600	0		0	0	0	0	0
1600-1700	0		0	0	0	0	0
1700-1800	0		0	0	0	0	0
<b>Totals</b>	<b>0</b>		<b>0</b>	<b>0</b>	<b>0</b>	<b>0</b>	<b>0</b>

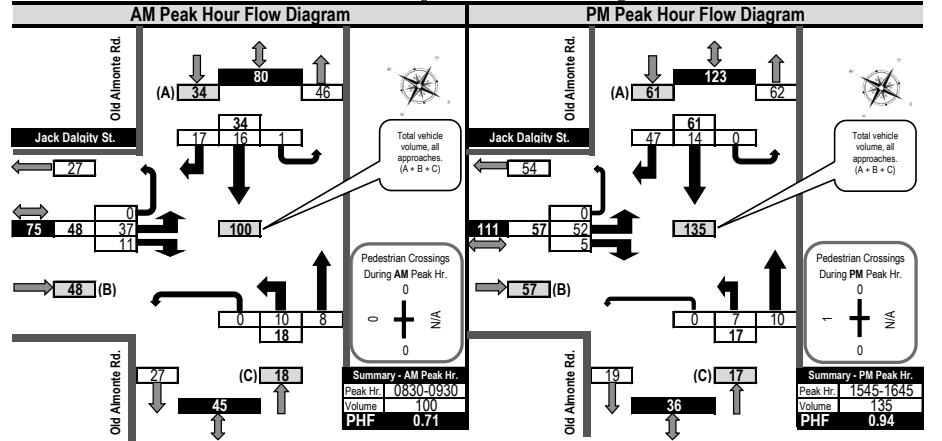
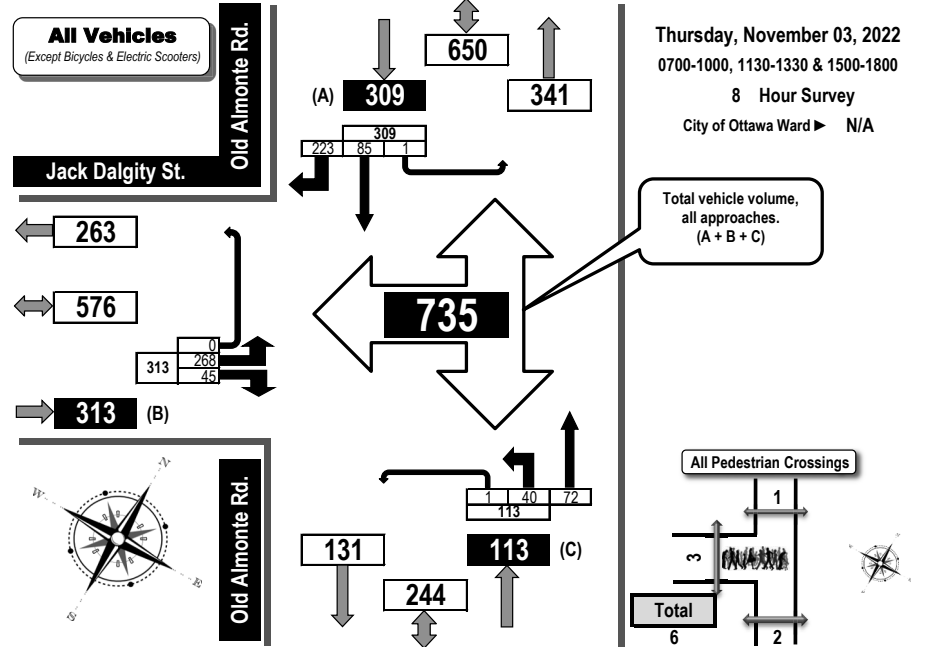
Comments:  
School buses comprise 7.63% of the heavy vehicle traffic.



### Turning Movement Count Summary, AM and PM Peak Hour Flow Diagrams



#### Jack Dalgity Street & Old Almonte Road Almonte, ON

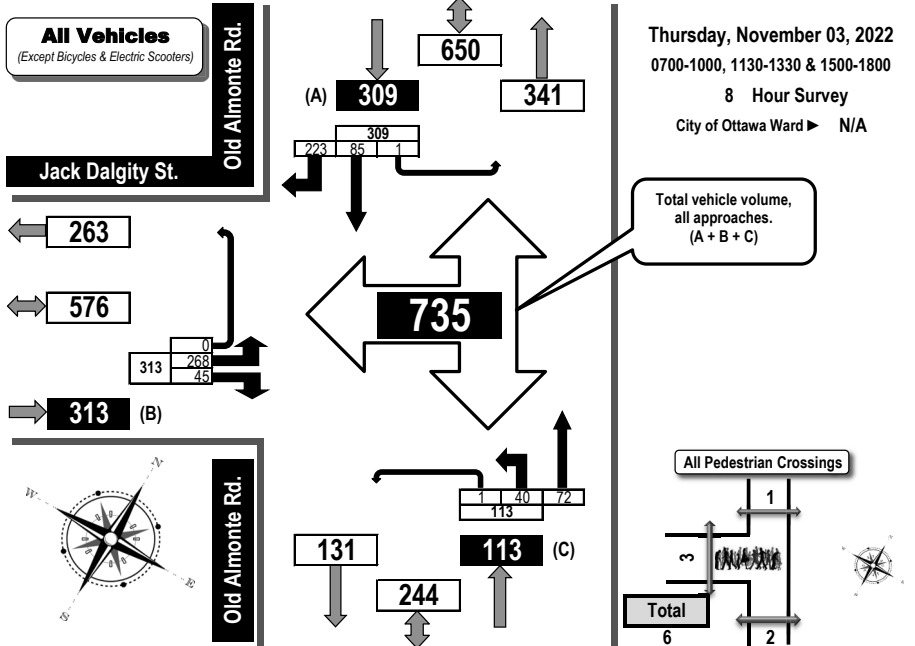




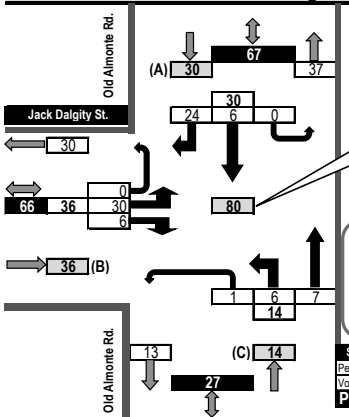
### Turning Movement Count Summary, OFF and EVGN Peak Hour Flow Diagrams All Vehicles Except Bicycles



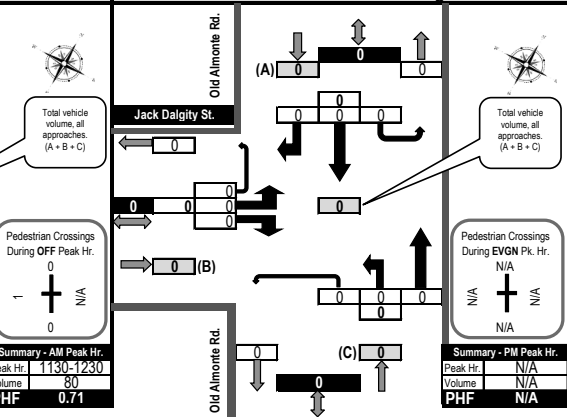
#### Jack Dalgity Street & Old Almonte Road Almonte, ON



#### OFF Peak Hour Flow Diagram



#### EVENING Peak Hour Flow Diagram



### Turning Movement Count Summary Report Including Peak Hours, AADT and Expansion Factors All Vehicles Except Bicycles



#### Jack Dalgity Street & Old Almonte Road Almonte, ON

Survey Date: Thursday, November 03, 2022 Start Time: 0700 AADT Factor: 0.9  
Weather AM: Clear & Sunny +1°C Survey Duration: 8 Hrs. Survey Hours: 0700-1000, 1130-1330 & 1500-1800  
Weather PM: Mainly Clear 17°C Surveyor(s): J. Mousseau

Time Period	Jack Dalgity St.					N/A					Old Almonte Rd.				Old Almonte Rd.				Grand Total			
	Eastbound					Westbound					Northbound				Southbound							
	LT	ST	RT	UT	Tot	LT	ST	RT	UT	Tot	LT	ST	RT	UT	Tot	LT	ST	RT		UT	Tot	
0700-0800	29		4	0	33						33	3	6	0	9	9	5	14	0	19	28	61
0800-0900	22		10	0	32						32	9	7	0	16	16	9	16	0	25	41	73
0900-1000	45		6	0	51						51	4	8	0	12	12	12	18	1	31	43	94
1130-1230	30		6	0	36						36	6	7	1	14	14	6	24	0	30	44	80
1230-1330	30		4	0	34						34	0	9	0	9	9	9	23	0	32	41	75
1500-1600	38		5	0	43						43	3	16	0	19	19	18	40	0	58	77	120
1600-1700	45		6	0	51						51	9	11	0	20	20	12	51	0	63	83	134
1700-1800	29		4	0	33						33	6	8	0	14	14	14	37	0	51	65	98
<b>Totals</b>	<b>268</b>		<b>45</b>	<b>0</b>	<b>313</b>						<b>313</b>	<b>40</b>	<b>72</b>	<b>1</b>	<b>113</b>	<b>113</b>	<b>85</b>	<b>223</b>	<b>1</b>	<b>309</b>	<b>422</b>	<b>735</b>

**Equivalent 12 & 24-hour Vehicle Volumes Including the Annual Average Daily Traffic (AADT) Factor**  
Applicable to the Day and Month of the Turning Movement Count  
Expansion factors are applied exclusively to standard weekday 8-hour turning movement counts  
conducted during the hours of 0700h - 1000h, 1130h - 1330h and 1500h - 1800h

Equivalent 12-hour vehicle volumes. These volumes are calculated by multiplying the 8-hour totals by the 8 → 12 expansion factor of 1.39																							
Equ. 12 Hr	373	0	63	0	435	0	0	0	0	0	435	56	100	0	1	157	0	118	310	1	430	587	1022
Average daily 12-hour vehicle volumes. These volumes are calculated by multiplying the equivalent 12-hour totals by the AADT factor of: 0.9																							
AADT 12-hr	335	0	56	0	392	0	0	0	0	0	392	50	90	0	1	141	0	106	279	1	387	528	919
24-Hour AADT. These volumes are calculated by multiplying the average daily 12-hour vehicle volumes by the 12 → 24 expansion factor of 1.31																							
AADT 24 Hr	439	0	74	0	513	0	0	0	0	0	513	66	118	0	2	185	0	139	365	2	506	692	1205

#### AADT and expansion factors provided by the City of Ottawa

AM Peak Hour Factor	0.71	Highest Hourly Vehicle Volume Between 0700h & 1000h																				
AM Peak Hr	LT	ST	RT	UT	Total	Str. Tot.	LT	ST	RT	UT	Total	Str. Tot.	Gr. Tot.									
0830-0930	37	0	11	0	48	0	0	0	0	0	48	10	8	0	18	0	16	17	1	34	52	100
OFF Peak Hour Factor	0.83	Highest Hourly Vehicle Volume Between 1130h & 1330h																				
OFF Peak Hr	LT	ST	RT	UT	Total	Str. Tot.	LT	ST	RT	UT	Total	Str. Tot.	Gr. Tot.									
1130-1230	30	0	6	0	36	0	0	0	0	0	36	6	7	0	14	0	6	24	0	30	44	80
PM Peak Hour Factor	0.94	Highest Hourly Vehicle Volume Between 1500h & 1800h																				
PM Peak Hr	LT	ST	RT	UT	Total	Str. Tot.	LT	ST	RT	UT	Total	Str. Tot.	Gr. Tot.									
1545-1645	52	0	5	0	57	0	0	0	0	0	57	7	10	0	17	0	14	47	0	61	78	135

#### Comments:

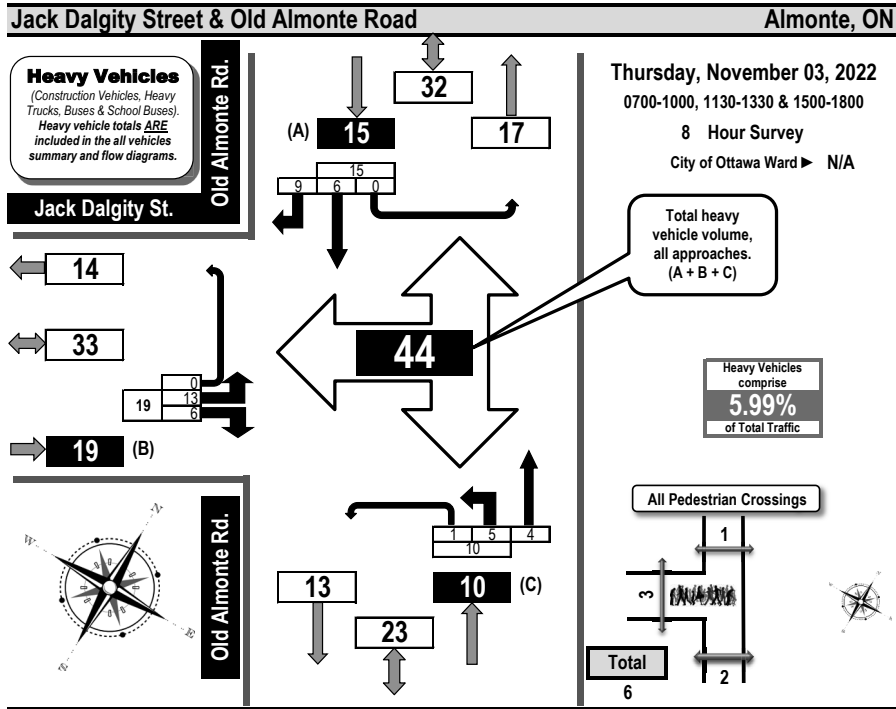
School buses comprise 15.91% of the heavy vehicle traffic. There were 10 construction related heavy vehicles.

#### Notes:

1. Includes all vehicle types except bicycles, electric bicycles, and electric scooters.
2. When expansion and AADT factors are applied, the results will differ slightly due to rounding.



## Turning Movement Count Heavy Vehicle Summary (FHWA Class 4 to 13) Flow Diagram

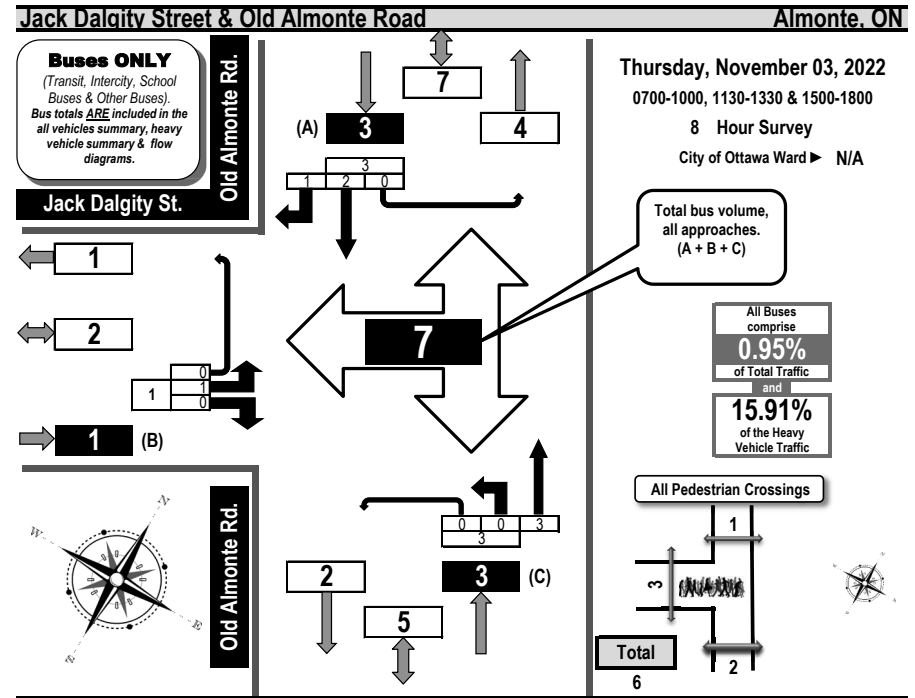


Time Period	Jack Dalgity St.				N/A				Old Almonte Rd.				Old Almonte Rd.				GR Tot							
	Eastbound		Westbound		Northbound		Southbound		Eastbound		Westbound		Northbound		Southbound									
	LT	ST	RT	UT	EB Tot	LT	ST	RT	UT	WB Tot	LT	ST	RT	UT	NB Tot	LT		ST	RT	UT	SB Tot			
0700-0800	2		0	0	2										1	1		0	2	2	1	0	3	7
0800-0900	2		0	0	2										0	0		0	0	0	1	0	1	3
0900-1000	1		5	0	6										0	3	1	1	0	2	1	0	2	11
1130-1230	2		0	0	2										1	0		1	2	0	2	0	2	6
1230-1330	1		0	0	1										0	0		0	0	0	1	0	1	2
1500-1600	0		1	0	1										0	2		0	2	1	1	0	2	5
1600-1700	5		0	0	5										0	0		0	0	1	2	0	3	8
1700-1800	0		0	0	0										0	1		0	1	1	0	0	1	2
<b>Totals</b>	<b>13</b>	<b></b>	<b>6</b>	<b>0</b>	<b>19</b>	<b></b>	<b></b>	<b></b>	<b></b>	<b></b>	<b></b>	<b></b>	<b></b>	<b>5</b>	<b>4</b>	<b></b>	<b>1</b>	<b>10</b>	<b>6</b>	<b>9</b>	<b>0</b>	<b>15</b>	<b>44</b>	

Comments:  
School buses comprise 15.91% of the heavy vehicle traffic. There were 10 construction related heavy vehicles.



## Turning Movement Count All Buses Summary (FHWA Class 4 ONLY) Flow Diagram

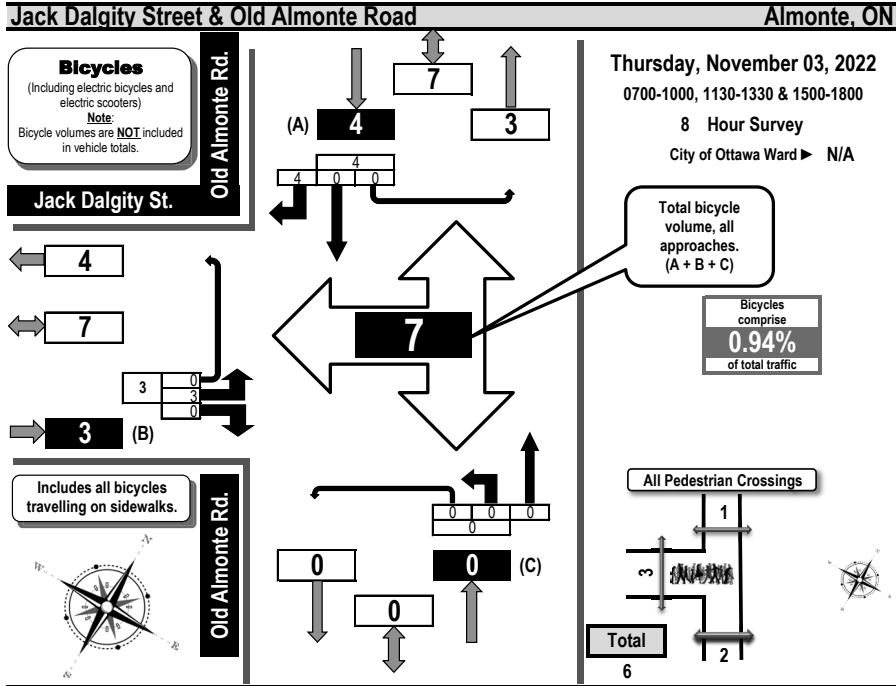


Time Period	Jack Dalgity St.				N/A				Old Almonte Rd.				Old Almonte Rd.				GR Tot							
	Eastbound		Westbound		Northbound		Southbound		Eastbound		Westbound		Northbound		Southbound									
	LT	ST	RT	UT	EB Tot	LT	ST	RT	UT	WB Tot	LT	ST	RT	UT	NB Tot	LT		ST	RT	UT	SB Tot			
0700-0800	0		0	0	0										0	1		0	1	1	0	0	1	2
0800-0900	0		0	0	0										0	0		0	0	0	0	0	0	0
0900-1000	1		0	0	1										0	0		0	0	1	0	0	1	2
1130-1230	0		0	0	0										0	0		0	0	0	0	0	0	0
1230-1330	0		0	0	0										0	0		0	0	0	0	0	0	0
1500-1600	0		0	0	0										0	2		0	2	0	1	0	1	3
1600-1700	0		0	0	0										0	0		0	0	0	0	0	0	0
1700-1800	0		0	0	0										0	0		0	0	0	0	0	0	0
<b>Totals</b>	<b>1</b>	<b></b>	<b>0</b>	<b>0</b>	<b>1</b>	<b></b>	<b></b>	<b></b>	<b></b>	<b></b>	<b></b>	<b></b>	<b></b>	<b>0</b>	<b>3</b>	<b></b>	<b>0</b>	<b>3</b>	<b>2</b>	<b>1</b>	<b>0</b>	<b>3</b>	<b>7</b>	

Comments:  
School buses comprise 15.91% of the heavy vehicle traffic. There were 10 construction related heavy vehicles.



### Turning Movement Count Bicycle Summary Flow Diagram

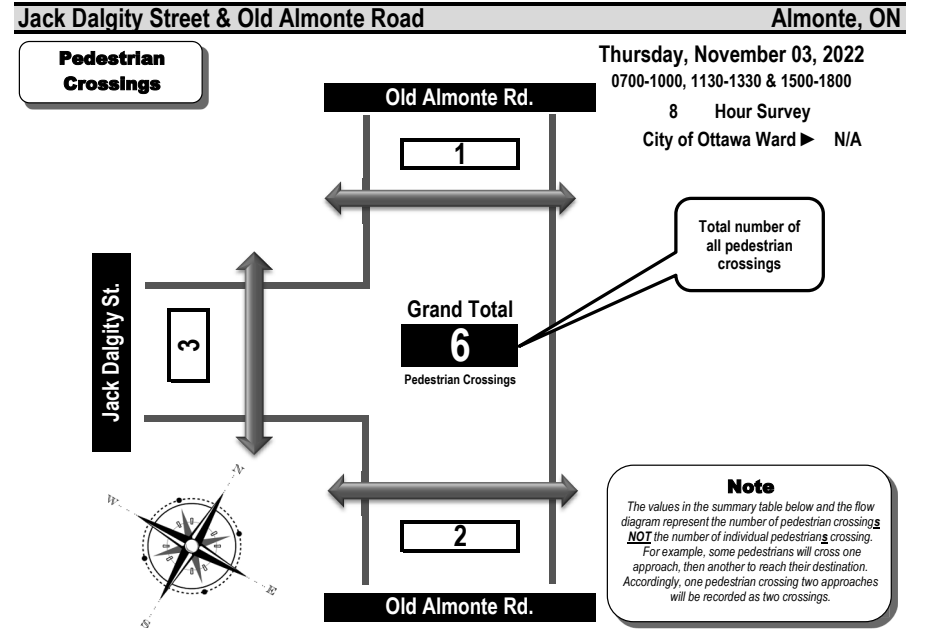


Time Period	Jack Dalgity St.				N/A				Old Almonte Rd.				Old Almonte Rd.				GR Tot				
	Eastbound				Westbound				Northbound				Southbound								
	LT	ST	RT	UT	LT	ST	RT	UT	LT	ST	RT	UT	LT	ST	RT	UT					
0700-0800	1		0	0	1				0	0	0	0	0	0	0	0	0	0	0	0	1
0800-0900	1		0	0	1				0	0	0	0	0	0	0	0	0	0	0	0	1
0900-1000	0		0	0	0				0	0	0	0	0	0	0	0	0	0	0	0	0
1130-1230	0		0	0	0				0	0	0	0	0	0	0	0	0	0	0	0	0
1230-1330	0		0	0	0				0	0	0	0	0	0	0	0	0	0	0	0	0
1500-1600	1		0	0	1				0	0	0	0	0	0	0	0	0	0	0	0	1
1600-1700	0		0	0	0				0	0	0	0	0	3	0	0	3	0	0	0	3
1700-1800	0		0	0	0				0	0	0	0	0	1	0	0	1	0	0	0	1
<b>Totals</b>	<b>3</b>		<b>0</b>	<b>0</b>	<b>3</b>				<b>0</b>	<b>0</b>	<b>0</b>	<b>0</b>	<b>0</b>	<b>4</b>	<b>0</b>	<b>0</b>	<b>4</b>	<b>0</b>	<b>0</b>	<b>7</b>	

Comments:  
School buses comprise 15.91% of the heavy vehicle traffic. There were 10 construction related heavy vehicles.



### Turning Movement Count Pedestrian Crossings Summary and Flow Diagram



Time Period	West Side Crossing Jack Dalgity St.	East Side Crossing N/A	Street Total	South Side Crossing Old Almonte Rd.	North Side Crossing Old Almonte Rd.	Street Total	Grand Total
0700-0800	1		1	1	0	1	2
0800-0900	0		0	0	0	0	0
0900-1000	0		0	0	0	0	0
1130-1230	1		1	1	0	1	2
1230-1330	0		0	0	0	0	0
1500-1600	1		1	0	0	0	1
1600-1700	0		0	0	1	1	1
1700-1800	0		0	0	0	0	0
<b>Totals</b>	<b>3</b>		<b>3</b>	<b>2</b>	<b>1</b>	<b>3</b>	<b>6</b>

Comments:  
School buses comprise 15.91% of the heavy vehicle traffic. There were 10 construction related heavy vehicles.

ROAD NAME	FROM:	TO:	AADT	SPEED	MAINTENANCE CLASS	LOWER TIER MUNICIPALITY
16-South Lavant Road	PIN #2264 (Poland)	Hwy 511 ( Co Rd 511 )	350	80	4	Lanark Highlands
16-Wolf Grove Road	Hwy 511 ( Co Rd 511 )	Hopetown Hamlet Limit (60 Max Sign)	1100	60	4	Lanark Highlands
16-Wolf Grove Road	Hopetown Hamlet Limit (60 Max Sign)	PIN #4248 (Middleville)	1100	80	3	Lanark Highlands
16-Wolf Grove Road	PIN #4248 (Middleville)	Co Rd 8 ( 6th Con C Lanark )	1100	60	4	Lanark Highlands
16-Wolf Grove Road	Co Rd 8 ( 6th Con C Lanark )	PIN #4132 East Ent (Middleville)	1400	60	4	Lanark Highlands
16-Wolf Grove Road	PIN #4132 East Ent (Middleville)	Ramsay Con 1	1400	80	3	Lanark Highlands
16-Wolf Grove Road	Ramsay Con 1	Tatlock Road	1400	80	3	Mississippi Mills
16-Wolf Grove Road	Tatlock Road	Civitan Hall Ent (Almonte)	3000	80	3	Mississippi Mills
16-Almonte Street	Civitan Hall Ent (Almonte)	Christian Street (Co Rd 29)	3200	60	3	Mississippi Mills
16A-Perth Street	Christian Street (Co Rd 29)	Bridge Street	4500	50	3	Mississippi Mills
16A-Bridge Street	Perth Street	Centre of Maclan Bridge	4500	50	3	Mississippi Mills
16A-Queen Street	Centre of Maclan Bridge	Martin Street South	8000	50	3	Mississippi Mills
16A-Martin Street South	Queen Street	Ottawa Street	8000	50	3	Mississippi Mills
17-Derry Side Road	Richmond Road (Co Rd 10)	9th Line Beckwith	650	80	4	Beckwith
17-Cemetery Side Road	9th Line Beckwith	Hwy. #7	1200	50/70	3	Beckwith
17-Appleton Side Road	Hwy. #7	River Road (Co Rd 11)	800	80	4	Beckwith/ Mississippi Mills
17-Appleton Side Road	River Road (Co Rd 11)	March Road (Co Rd 49)	1100	80	3	Mississippi Mills
17-Martin Street North	Ottawa Street	Brookdale Street	2200	50/40	4	Mississippi Mills
17-Martin Street North	Brookdale Street	Railway Crossing	1100	80	3	Mississippi Mills
17-Martin Street North	Railway Crossing	PIN #6466 (Blakeney)	1100	80	3	Mississippi Mills
17-Martin Street North	PIN #6466 (Blakeney)	Blakeney Road (Co Rd 17)	1100	60	4	Mississippi Mills
17-Blakeney Road	Blakeney Road (Co Rd 17)	Ridge Road	650	60	4	Mississippi Mills
17-Blakeney Road	Ridge Road	Panmure Road	650	80	4	Mississippi Mills
17-Panmure Road	Blakeney Road (South)	Blakeney Road (North)	300	80	4	Mississippi Mills
17-Blakeney Road	Panmure Road	Kinburn Sideroad (Co Rd 20)	300	80/60	4	Mississippi Mills
18-Port Elmsley Road	Rideau Ferry Road (Co Rd 1)	PIN #310 DNE Township Office	1150	80	3	Drummond North Elmsley
18-Port Elmsley Road	PIN #310 DNE Township Office	Co. Rd. #43	1150	60	4	Drummond North Elmsley
19-Bennett Lake Road	Fallbrook Road (Co Rd 7)	PIN #155 (Fallbrook)	450	50	5	Tay Valley
19-Bennett Lake Road	PIN #155 (Fallbrook)	Osprey Road	450	80	4	Tay Valley
19-Bennett Lake Road	Osprey Road	Start of Gravel	120	80	4	Tay Valley
19-Bennett Lake Road	Start of Gravel	End of Gravel	120	80	4	Tay Valley
19-Bennett Lake Road	End of Gravel	Maberly Elphin Rd. (Co Rd 36)	150	80	4	Tay Valley
20-Kinburn Side Road	Timmins Road (Ottawa Bndry)	Blakeney Rd. (Co Rd 17)	1900	80	3	Mississippi Mills
20-Kinburn Side Road	Blakeney Rd. (Co Rd 17)	Co Rd 29 North	1900	60	4	Mississippi Mills
20-Waba Road	Co. Rd. #29 North	Five Arches Drive	1650	50	4	Mississippi Mills
20-Waba Road	Five Arches Drive	Shaw Road (Co. Rd. #22)	1650	80	3	Mississippi Mills
20-Waba Road	Shaw Road (Co. Rd. #22)	Campbell Side Rd. (Co. Rd. #24)	1000	80	3	Mississippi Mills
20-Waba Road	Campbell Side Rd. (Co. Rd. #24)	Robertson Line (Renfrew Bndry)	1000	80	3	Mississippi Mills
21-Lally Road	Narrows Lock Rd. (Co. Rd. #14)	Lally Lake Drive	100	60	5	Tay Valley
21-Elm Grove Road	Lally Lake Drive	Tay Valley Sign	600	60	4	Tay Valley
21-Elm Grove Road	Tay Valley Sign	Rideau Ferry Rd. (Co. Rd. #1)	1600	60	4	Drummond North Elmsley

## LANARK COUNTY

## ROAD SECTIONS

## BY MAINTENANCE CLASS

ROAD NAME	FROM:	TO:	AADT	SPEED	MAINTENANCE CLASS	LOWER TIER MUNICIPALITY
22-Shaw Road	Waba Road (Co. Rd. #20)	Lunney Road (Ottawa Bndry)	500	80	4	Mississippi Mills
23-Rosedale Road South	Co. Rd. #43	Guthrie Road	600	80	4	Montague
23-Rosedale Road South	Guthrie Road	Roger Stevens Drive (Co. Rd. #4)	600	60/80	4	Montague
24-Peneshula Road	Snye Road	Bellamy Road	800	60	4	Lanark Highlands/ Mississippi Mills
24-Bellamy Road	Peneshula Road	4th Con. Pakenham	900	80	4	Mississippi Mills
24-4th Con. Pakenham	Bellamy Road	Campbell Side Road	900	80	4	Mississippi Mills
24-Campbell Side Road	4th Con. Pakenham	Waba Road (Co. Rd. #20)	600	80	4	Mississippi Mills
29-McNeely Avenue	Hwy. #7	Lake Avenue	12000	80	2	Town of Carleton Place
29-McNeely Avenue	Lake Avenue	Town Line Rd. East (Co. Rd. #29)	11000	60	3	Town of Carleton Place
29-Town Line Road East	McNeely Avenue	Ramsay Con. 8	9000	50	3	Town of Carleton Place
29-County Rd. #29 South	Ramsay Con. 8	Wilson Street (Co. Rd. #11)	8000	80	2	Mississippi Mills
29-County Rd. #29 South	Wilson Street (Co. Rd. #11)	Perth Street (Co. Rd. #16A)	6000	80	2	Mississippi Mills
29-Christian Street	Perth Street (Co. Rd. #16A)	Almonte Street (Co. Rd. #16)	5000	70	3	Mississippi Mills
29-Christian Street	Almonte Street (Co. Rd. #16)	Gleeson Road	3700	70	3	Mississippi Mills
29-County Rd. #29 North	Gleeson Road	Snedden Road	3700	80	3	Mississippi Mills
29-County Rd. #29 North	Snedden Road	McWatty Road	3700	80	3	Mississippi Mills
29-County Rd. #29 North	McWatty Road	Waba Road (Co. Rd. #20)	3700	50	4	Mississippi Mills
29-County Rd. #29 North	Waba Road (Co. Rd. #20)	Kinburn Sideroad (Co. Rd. #20)	2800	50	4	Mississippi Mills
29-County Rd. #29 North	Kinburn Sideroad (Co. Rd. #20)	Walter Bradley Road	2800	80	3	Mississippi Mills
29-County Rd. #29 North	Walter Bradley Road	Lanark County Sign (Ottawa Bndry)	2800	80	3	Mississippi Mills/ City of Ottawa
36-Bolingbroke Road	Leeds Bndry	Althorpe Road (Co. Rd. #6)	800	80	4	Tay Valley
36-Bolingbroke Road	Althorpe Road (Co. Rd. #6)	Hanna Road	750	80	4	Tay Valley
36-Bolingbroke Road	Hanna Road	Maberly Station Road	500	80	4	Tay Valley
36-Bolingbroke Road	Maberly Station Road	Hwy. #7	500	60	4	Tay Valley
36-Maberly Elphin Road	Hwy. #7	PIN #400 (Maberly)	600	60	4	Tay Valley
36-Maberly Elphin Road	PIN #400 (Maberly)	Bennett Lake Rd. (Co. Rd. #19)	600	80	4	Tay Valley
36-Maberly Elphin Road	Bennett Lake Rd. (Co. Rd. #19)	LDNS Sign (Twp Bndry)	600	80	4	Tay Valley
36-Elphin Maberly Road	LDNS Sign (Twp Bndry)	Elphin Hamlet Sign West	600	80	4	Lanark Highlands
36-Elphin Maberly Road	Elphin Hamlet Sign West	Co Rd 12 ( McDonalds Corners Rd )	500	60	4	Lanark Highlands
36-Elphin Maberly Road	Co Rd 12 ( McDonalds Corners Rd )	Elphin Hamlet Sign North	500	60	4	Lanark Highlands
36-Elphin Maberly Road	Elphin Hamlet Sign North	PIN #3923 (Frontenac Bndry)	500	60/80	4	Lanark Highlands
43-Hwy 43	Merrickville Bndry (West)	Rosedale Rd. S (Co. Rd. #23)	3600	80	3	Montague
43-Hwy 43	Rosedale Rd. S (Co. Rd. #23)	New Smiths Falls Boundary	4800	80	3	Montague
43-Hwy 43	Mazie Street (SFalls Bndry)	Station Road	9000	80	2	Drummond North Elmsley
43-Hwy 43	Station Road	Port Elmsley Rd. (Co. Rd. #18)	9000	60	3	Drummond North Elmsley
43-Hwy 43	Port Elmsley Rd. (Co. Rd. #18)	Meadow Lane	8500	60	3	Drummond North Elmsley
43-Hwy 43	Meadow Lane	Irwin Street	7000	80	3	Drummond North Elmsley/ Town of Perth
49-March Road	Ottawa Bndry	Appleton Side Rd. (Co. Rd. #17)	7500	80	2	Mississippi Mills
511-Lanark Road	Hwy. #7	PIN #40 (Perth Bndry)	8000	60	3	Tay Valley/ Town of Perth
511-Hwy 511	PIN #40 (Perth Bndry)	Clarchris Road	8000	70	3	Tay Valley/ Drummond North Elmsley
511-Hwy 511	Clarchris Road	PIN #1325 (Balderson South)	8000	80	2	Tay Valley/ Drummond North Elmsley

# Appendix C

2022 Existing Synchro Worksheets



## MOVEMENT SUMMARY

Site: 101 [Ottawa/CR49 & Appleton/Ramsay Existing AM (Site Folder: General)]

New Site  
Site Category: (None)  
Roundabout

Vehicle Movement Performance														
Mov ID	Turn	INPUT VOLUMES		DEMAND FLOWS		Deg. Satn	Aver. Delay	Level of Service	95% BACK OF QUEUE		Prop. Que	Effective Stop Rate	Aver. No. Cycles	Aver. Speed km/h
		[ Total veh/h	HV %	[ Total veh/h	HV %				[ Veh. veh	Dist ] m				
South: Appleton														
1	L2	44	2.0	48	2.0	0.101	8.9	LOS A	0.4	2.7	0.41	0.59	0.41	48.4
2	T1	7	2.0	8	2.0	0.101	3.4	LOS A	0.4	2.7	0.41	0.59	0.41	47.8
3	R2	41	2.0	45	2.0	0.101	3.7	LOS A	0.4	2.7	0.41	0.59	0.41	46.4
Approach		92	2.0	101	2.0	0.101	6.1	LOS A	0.4	2.7	0.41	0.59	0.41	47.5
East: CR 49														
4	L2	31	2.0	34	2.0	0.111	7.7	LOS A	0.6	4.3	0.20	0.35	0.20	49.8
5	T1	271	2.0	298	2.0	0.111	2.2	LOS A	0.6	4.4	0.20	0.30	0.20	49.6
6	R2	15	2.0	16	2.0	0.111	2.7	LOS A	0.6	4.4	0.19	0.26	0.19	48.3
Approach		317	2.0	348	2.0	0.111	2.8	LOS A	0.6	4.4	0.20	0.30	0.20	49.5
North: Ramsay														
7	L2	26	2.0	29	2.0	0.058	8.7	LOS A	0.2	1.5	0.38	0.55	0.38	48.5
8	T1	11	2.0	12	2.0	0.058	3.2	LOS A	0.2	1.5	0.38	0.55	0.38	47.9
9	R2	17	2.0	19	2.0	0.058	3.5	LOS A	0.2	1.5	0.38	0.55	0.38	46.5
Approach		54	2.0	59	2.0	0.058	5.9	LOS A	0.2	1.5	0.38	0.55	0.38	47.7
West: Ottawa														
10	L2	8	2.0	9	2.0	0.138	7.8	LOS A	0.7	5.2	0.22	0.29	0.22	50.3
11	T1	348	2.0	382	2.0	0.138	2.3	LOS A	0.7	5.3	0.21	0.28	0.21	49.7
12	R2	37	2.0	41	2.0	0.138	2.7	LOS A	0.7	5.3	0.20	0.28	0.20	48.3
Approach		393	2.0	432	2.0	0.138	2.4	LOS A	0.7	5.3	0.21	0.28	0.21	49.6
All Vehicles		856	2.0	941	2.0	0.138	3.2	LOS A	0.7	5.3	0.24	0.34	0.24	49.2

Site Level of Service (LOS) Method: Delay (SIDRA). Site LOS Method is specified in the Parameter Settings dialog (Site tab).  
 Roundabout LOS Method: SIDRA Roundabout LOS.  
 Vehicle movement LOS values are based on average delay per movement.  
 Intersection and Approach LOS values are based on average delay for all vehicle movements.  
 Roundabout Capacity Model: SIDRA Standard.  
 Delay Model: SIDRA Standard (Geometric Delay is included).  
 Queue Model: SIDRA Standard.  
 Gap-Acceptance Capacity: SIDRA Standard (Akçelik M3D).  
 HV (%) values are calculated for All Movement Classes of All Heavy Vehicle Model Designation.

## MOVEMENT SUMMARY

Site: 101 [Ottawa/CR49 & Appleton/Ramsay Existing PM (Site Folder: General)]

New Site  
Site Category: (None)  
Roundabout

Vehicle Movement Performance														
Mov ID	Turn	INPUT VOLUMES		DEMAND FLOWS		Deg. Satn	Aver. Delay	Level of Service	95% BACK OF QUEUE		Prop. Que	Effective Stop Rate	Aver. No. Cycles	Aver. Speed km/h
		[ Total veh/h	HV %	[ Total veh/h	HV %				[ Veh. veh	Dist ] m				
South: Appleton														
1	L2	67	2.0	69	2.0	0.116	8.8	LOS A	0.5	3.2	0.41	0.60	0.41	48.1
2	T1	12	2.0	12	2.0	0.116	3.3	LOS A	0.5	3.2	0.41	0.60	0.41	47.5
3	R2	35	2.0	36	2.0	0.116	3.6	LOS A	0.5	3.2	0.41	0.60	0.41	46.2
Approach		114	2.0	118	2.0	0.116	6.6	LOS A	0.5	3.2	0.41	0.60	0.41	47.4
East: CR 49														
4	L2	56	2.0	58	2.0	0.221	7.9	LOS A	1.3	9.4	0.28	0.36	0.28	49.6
5	T1	555	2.0	572	2.0	0.221	2.4	LOS A	1.3	9.6	0.27	0.32	0.27	49.3
6	R2	46	2.0	47	2.0	0.221	2.8	LOS A	1.3	9.6	0.26	0.28	0.26	48.0
Approach		657	2.0	677	2.0	0.221	2.9	LOS A	1.3	9.6	0.27	0.32	0.27	49.2
North: Ramsay														
7	L2	19	2.0	20	2.0	0.060	9.5	LOS A	0.2	1.6	0.50	0.61	0.50	48.4
8	T1	15	2.0	15	2.0	0.060	4.0	LOS A	0.2	1.6	0.50	0.61	0.50	47.8
9	R2	17	2.0	18	2.0	0.060	4.3	LOS A	0.2	1.6	0.50	0.61	0.50	46.4
Approach		51	2.0	53	2.0	0.060	6.2	LOS A	0.2	1.6	0.50	0.61	0.50	47.5
West: Ottawa														
10	L2	17	2.0	18	2.0	0.138	7.9	LOS A	0.7	5.2	0.24	0.31	0.24	50.0
11	T1	332	2.0	342	2.0	0.138	2.4	LOS A	0.7	5.3	0.23	0.30	0.23	49.6
12	R2	62	2.0	64	2.0	0.138	2.8	LOS A	0.7	5.3	0.22	0.29	0.22	48.2
Approach		411	2.0	424	2.0	0.138	2.6	LOS A	0.7	5.3	0.23	0.30	0.23	49.4
All Vehicles		1233	2.0	1271	2.0	0.221	3.3	LOS A	1.3	9.6	0.28	0.35	0.28	49.0

Site Level of Service (LOS) Method: Delay (SIDRA). Site LOS Method is specified in the Parameter Settings dialog (Site tab).  
 Roundabout LOS Method: SIDRA Roundabout LOS.  
 Vehicle movement LOS values are based on average delay per movement.  
 Intersection and Approach LOS values are based on average delay for all vehicle movements.  
 Roundabout Capacity Model: SIDRA Standard.  
 Delay Model: SIDRA Standard (Geometric Delay is included).  
 Queue Model: SIDRA Standard.  
 Gap-Acceptance Capacity: SIDRA Standard (Akçelik M3D).  
 HV (%) values are calculated for All Movement Classes of All Heavy Vehicle Model Designation.

Lanes, Volumes, Timings  
 2: Paterson Street/Menzie Street & Ottawa Street Existing  
 AM Peak Hour

Lane Group	EBL	EBT	EBR	WBL	WBT	WBR	NBL	NBT	NBR	SBL	SBT	SBR
Lane Configurations		↔		↔	↔	↔		↔			↔	
Traffic Volume (vph)	1	509	65	50	370	3	77	9	77	2	14	6
Future Volume (vph)	1	509	65	50	370	3	77	9	77	2	14	6
Satd. Flow (prot)	0	1658	0	1626	1664	1483	0	1529	0	0	1660	0
Fit Permitted			0.427					0.838			0.972	
Satd. Flow (perm)	0	1658	0	730	1664	1439	0	1300	0	0	1620	0
Satd. Flow (RTOR)		12				36		50			6	
Lane Group Flow (vph)	0	618	0	54	398	3	0	176	0	0	23	0
Turn Type	Perm	NA	Perm	NA	Perm	Perm	NA	Perm	NA	Perm	NA	
Protected Phases		2			6			8			4	
Permitted Phases	2			6		6	8			4		
Detector Phase	2	2		6	6	6	8	8		4	4	
Switch Phase												
Minimum Initial (s)	10.0	10.0		10.0	10.0	10.0	10.0	10.0		10.0	10.0	
Minimum Split (s)	26.3	26.3		26.3	26.3	26.3	31.0	31.0		31.0	31.0	
Total Split (s)	58.0	58.0		58.0	58.0	58.0	32.0	32.0		32.0	32.0	
Total Split (%)	64.4%	64.4%		64.4%	64.4%	64.4%	35.6%	35.6%		35.6%	35.6%	
Maximum Green (s)	51.7	51.7		51.7	51.7	51.7	26.0	26.0		26.0	26.0	
Yellow Time (s)	3.7	3.7		3.7	3.7	3.7	3.3	3.3		3.3	3.3	
All-Red Time (s)	2.6	2.6		2.6	2.6	2.6	2.7	2.7		2.7	2.7	
Lost Time Adjust (s)		0.0		0.0	0.0	0.0		0.0			0.0	
Total Lost Time (s)		6.3		6.3	6.3	6.3		6.0			6.0	
Lead/Lag												
Lead-Lag Optimize?												
Vehicle Extension (s)	3.0	3.0		3.0	3.0	3.0	3.0	3.0		3.0	3.0	
Recall Mode	Max	Max		Max	Max	Max	None	None		None	None	
Walk Time (s)	7.0	7.0		7.0	7.0	7.0	7.0	7.0		7.0	7.0	
Flash Dont Walk (s)	13.0	13.0		13.0	13.0	13.0	18.0	18.0		18.0	18.0	
Pedestrian Calls (#/hr)	1	1		4	4	4	2	2		10	10	
Act Effct Green (s)		55.5		55.5	55.5	55.5		14.7			14.7	
Actuated g/C Ratio		0.67		0.67	0.67	0.67		0.18			0.18	
v/c Ratio		0.55		0.11	0.36	0.00		0.64			0.08	
Control Delay		10.5		7.1	8.0	0.0		32.4			21.0	
Queue Delay		0.0		0.0	0.0	0.0		0.0			0.0	
Total Delay		10.5		7.1	8.0	0.0		32.4			21.0	
LOS		B		A	A	A		C			C	
Approach Delay		10.5			7.8			32.4			21.0	
Approach LOS		B			A			C			C	
Queue Length 50th (m)		39.0		2.4	21.2	0.0		17.1			2.1	
Queue Length 95th (m)		98.1		9.3	53.8	0.0		35.8			7.6	
Internal Link Dist (m)		113.0			108.0			153.2			106.0	
Turn Bay Length (m)						30.0						
Base Capacity (vph)		1118		490	1118	978		445			515	
Starvation Cap Reductn		0		0	0	0		0			0	
Spillback Cap Reductn		0		0	0	0		0			0	
Storage Cap Reductn		0		0	0	0		0			0	
Reduced v/c Ratio		0.55		0.11	0.36	0.00		0.40			0.04	

Intersection Summary

Lanes, Volumes, Timings  
 2: Paterson Street/Menzie Street & Ottawa Street Existing  
 AM Peak Hour

Cycle Length: 90	
Actuated Cycle Length: 82.6	
Natural Cycle: 65	
Control Type: Semi Act-Uncoord	
Maximum v/c Ratio: 0.64	
Intersection Signal Delay: 12.8	Intersection LOS: B
Intersection Capacity Utilization 75.5%	ICU Level of Service D
Analysis Period (min) 15	

Splits and Phases: 2: Paterson Street/Menzie Street & Ottawa Street



HCM 2010 TWSC  
3: Appleton Side Road (Country Road 17) & Industrial Drive

Existing  
AM Peak Hour

Intersection						
Int Delay, s/veh	2.7					
Movement	EBL	EBR	NBL	NBT	SBT	SBR
Lane Configurations	↔			↕	↕	
Traffic Vol, veh/h	14	20	26	55	59	15
Future Vol, veh/h	14	20	26	55	59	15
Conflicting Peds, #/hr	0	0	0	0	0	0
Sign Control	Stop	Stop	Free	Free	Free	Free
RT Channelized	-	None	-	None	-	None
Storage Length	0	-	-	-	-	-
Veh in Median Storage, #	0	-	-	0	0	-
Grade, %	0	-	-	0	0	-
Peak Hour Factor	86	86	86	86	86	86
Heavy Vehicles, %	21	2	4	9	10	2
Mvmt Flow	16	23	30	64	69	17

Major/Minor	Minor2	Major1	Major2
Conflicting Flow All	202	78	86
Stage 1	78	-	-
Stage 2	124	-	-
Critical Hdwy	6.61	6.22	4.14
Critical Hdwy Stg 1	5.61	-	-
Critical Hdwy Stg 2	5.61	-	-
Follow-up Hdwy	3,689	3,318	2,236
Pot Cap-1 Maneuver	746	983	1498
Stage 1	899	-	-
Stage 2	857	-	-
Platoon blocked, %	-	-	-
Mov Cap-1 Maneuver	730	983	1498
Mov Cap-2 Maneuver	730	-	-
Stage 1	880	-	-
Stage 2	857	-	-

Approach	EB	NB	SB
HCM Control Delay, s	9.4	2.4	0
HCM LOS	A		

Minor Lane/Major Mvmt	NBL	NBT	EBLn1	SBT	SBR
Capacity (veh/h)	1498	-	860	-	-
HCM Lane V/C Ratio	0.02	-	0.046	-	-
HCM Control Delay (s)	7.5	0	9.4	-	-
HCM Lane LOS	A	A	A	-	-
HCM 95th %tile Q(veh)	0.1	-	0.1	-	-

HCM 2010 TWSC  
4: Paterson Street & Jack Dalgity Street

Existing  
AM Peak Hour

Intersection						
Int Delay, s/veh	5.2					
Movement	EBL	EBR	NBL	NBT	SBT	SBR
Lane Configurations	↔			↕	↕	
Traffic Vol, veh/h	37	11	10	8	16	17
Future Vol, veh/h	37	11	10	8	16	17
Conflicting Peds, #/hr	0	0	0	0	0	0
Sign Control	Stop	Stop	Free	Free	Free	Free
RT Channelized	-	None	-	None	-	None
Storage Length	0	-	-	-	-	-
Veh in Median Storage, #	0	-	-	0	0	-
Grade, %	0	-	-	0	0	-
Peak Hour Factor	71	71	71	71	71	71
Heavy Vehicles, %	3	45	30	2	6	6
Mvmt Flow	52	15	14	11	23	24

Major/Minor	Minor2	Major1	Major2
Conflicting Flow All	74	35	47
Stage 1	35	-	-
Stage 2	39	-	-
Critical Hdwy	6.43	6.65	4.4
Critical Hdwy Stg 1	5.43	-	-
Critical Hdwy Stg 2	5.43	-	-
Follow-up Hdwy	3,527	3,705	2,47
Pot Cap-1 Maneuver	927	927	1398
Stage 1	985	-	-
Stage 2	981	-	-
Platoon blocked, %	-	-	-
Mov Cap-1 Maneuver	918	927	1398
Mov Cap-2 Maneuver	918	-	-
Stage 1	975	-	-
Stage 2	981	-	-

Approach	EB	NB	SB
HCM Control Delay, s	9.2	4.2	0
HCM LOS	A		

Minor Lane/Major Mvmt	NBL	NBT	EBLn1	SBT	SBR
Capacity (veh/h)	1398	-	920	-	-
HCM Lane V/C Ratio	0.01	-	0.073	-	-
HCM Control Delay (s)	7.6	0	9.2	-	-
HCM Lane LOS	A	A	A	-	-
HCM 95th %tile Q(veh)	0	-	0.2	-	-

Lanes, Volumes, Timings

2: Paterson Street/Menzie Street & Ottawa Street

Existing  
PM Peak Hour

Lane Group	EBL	EBT	EBR	WBL	WBT	WBR	NBL	NBT	NBR	SBL	SBT	SBR
Lane Configurations		↔		↔	↔	↔		↔		↔		↔
Traffic Volume (vph)	4	510	47	60	741	11	86	8	64	7	3	5
Future Volume (vph)	4	510	47	60	741	11	86	8	64	7	3	5
Satd. Flow (prot)	0	1703	0	1658	1728	1483	0	1597	0	0	1608	0
Fit Permitted		0.996		0.311				0.821			0.887	
Satd. Flow (perm)	0	1696	0	539	1728	1438	0	1337	0	0	1460	0
Satd. Flow (RTOR)		7				36		37			5	
Lane Group Flow (vph)	0	590	0	63	780	12	0	166	0	0	15	0
Turn Type	Perm	NA	pm+pt	NA	Perm	Perm	NA	NA	Perm	NA	NA	
Protected Phases		2		1	6			8			4	
Permitted Phases	2		6		6	8				4		
Detector Phase	2	2	1	6	6	8	8			4	4	
Switch Phase												
Minimum Initial (s)	10.0	10.0		5.0	10.0	10.0	10.0	10.0		10.0	10.0	
Minimum Split (s)	26.3	26.3		11.3	26.3	26.3	31.0	31.0		31.0	31.0	
Total Split (s)	47.7	47.7		11.3	59.0	59.0	31.0	31.0		31.0	31.0	
Total Split (%)	53.0%	53.0%		12.6%	65.6%	65.6%	34.4%	34.4%		34.4%	34.4%	
Yellow Time (s)	3.7	3.7		3.7	3.7	3.7	3.3	3.3		3.3	3.3	
All-Red Time (s)	2.6	2.6		2.6	2.6	2.6	2.7	2.7		2.7	2.7	
Lost Time Adjust (s)		0.0		0.0	0.0	0.0		0.0			0.0	
Total Lost Time (s)		6.3		6.3	6.3	6.3		6.0			6.0	
Lead/Lag	Lag	Lag		Lead								
Lead-Lag Optimize?	Yes	Yes		Yes								
Recall Mode	Max	Max		None	Max	Max	None	None		Max	Max	
Act Effct Green (s)		43.7		52.7	52.7	52.7		25.0			25.0	
Actuated g/C Ratio		0.49		0.59	0.59	0.59		0.28			0.28	
v/c Ratio		0.71		0.17	0.77	0.01		0.42			0.04	
Control Delay		25.0		9.1	20.6	0.5		24.2			19.6	
Queue Delay		0.0		0.0	0.0	0.0		0.0			0.0	
Total Delay		25.0		9.1	20.6	0.5		24.2			19.6	
LOS		C		A	C	A		C			B	
Approach Delay		25.0			19.5			24.2			19.6	
Approach LOS		C			B			C			B	
Queue Length 50th (m)		80.3		4.3	93.9	0.0		17.8			1.3	
Queue Length 95th (m)		122.4		9.4	144.2	0.5		35.8			5.8	
Internal Link Dist (m)		113.0			108.0			153.2			106.0	
Turn Bay Length (m)						30.0						
Base Capacity (vph)		826		377	1011	856		398			409	
Starvation Cap Reductn		0		0	0	0		0			0	
Spillback Cap Reductn		0		0	0	0		0			0	
Storage Cap Reductn		0		0	0	0		0			0	
Reduced v/c Ratio		0.71		0.17	0.77	0.01		0.42			0.04	

Intersection Summary

Cycle Length: 90  
 Actuated Cycle Length: 90  
 Natural Cycle: 80  
 Control Type: Semi Act-Uncoord  
 Maximum v/c Ratio: 0.77

Lanes, Volumes, Timings

2: Paterson Street/Menzie Street & Ottawa Street

Existing  
PM Peak Hour

Intersection Signal Delay: 22.0 Intersection LOS: C  
 Intersection Capacity Utilization 78.6% ICU Level of Service D  
 Analysis Period (min) 15

Splits and Phases: 2: Paterson Street/Menzie Street & Ottawa Street



HCM 2010 TWSC  
3: Appleton Side Road (Country Road 17) & Industrial Drive

Existing  
PM Peak Hour

Intersection						
Int Delay, s/veh	2.2					
Movement	EBL	EBR	NBL	NBT	SBT	SBR
Lane Configurations	↔			↕	↕	
Traffic Vol, veh/h	13	21	35	72	107	27
Future Vol, veh/h	13	21	35	72	107	27
Conflicting Peds, #/hr	0	0	0	0	0	0
Sign Control	Stop	Stop	Free	Free	Free	Free
RT Channelized	-	None	-	None	-	None
Storage Length	0	-	-	-	-	-
Veh in Median Storage, #	0	-	-	0	0	-
Grade, %	0	-	-	0	0	-
Peak Hour Factor	96	96	96	96	96	96
Heavy Vehicles, %	2	5	3	7	12	4
Mvmt Flow	14	22	36	75	111	28

Major/Minor	Minor2	Major1	Major2
Conflicting Flow All	272	125	139
Stage 1	125	-	-
Stage 2	147	-	-
Critical Hdwy	6.42	6.25	4.13
Critical Hdwy Stg 1	5.42	-	-
Critical Hdwy Stg 2	5.42	-	-
Follow-up Hdwy	3.518	3.345	2.227
Pot Cap-1 Maneuver	717	918	1438
Stage 1	901	-	-
Stage 2	880	-	-
Platoon blocked, %	-	-	-
Mov Cap-1 Maneuver	698	918	1438
Mov Cap-2 Maneuver	698	-	-
Stage 1	878	-	-
Stage 2	880	-	-

Approach	EB	NB	SB
HCM Control Delay, s	9.6	2.5	0
HCM LOS	A		

Minor Lane/Major Mvmt	NBL	NBT	EBLn1	SBT	SBR
Capacity (veh/h)	1438	-	819	-	-
HCM Lane V/C Ratio	0.025	-	0.043	-	-
HCM Control Delay (s)	7.6	0	9.6	-	-
HCM Lane LOS	A	A	A	-	-
HCM 95th %tile Q(veh)	0.1	-	0.1	-	-

HCM 2010 TWSC  
4: Paterson Street & Jack Dalgity Street

Existing  
PM Peak Hour

Intersection						
Int Delay, s/veh	4.3					
Movement	EBL	EBR	NBL	NBT	SBT	SBR
Lane Configurations	↔			↕	↕	
Traffic Vol, veh/h	52	5	7	10	14	47
Future Vol, veh/h	52	5	7	10	14	47
Conflicting Peds, #/hr	0	0	1	0	0	0
Sign Control	Stop	Stop	Free	Free	Free	Free
RT Channelized	-	None	-	None	-	None
Storage Length	0	-	-	-	-	-
Veh in Median Storage, #	0	-	-	0	0	-
Grade, %	0	-	-	0	0	-
Peak Hour Factor	94	94	94	94	94	94
Heavy Vehicles, %	10	2	2	2	7	4
Mvmt Flow	55	5	7	11	15	50

Major/Minor	Minor2	Major1	Major2
Conflicting Flow All	66	41	66
Stage 1	41	-	-
Stage 2	25	-	-
Critical Hdwy	6.5	6.22	4.12
Critical Hdwy Stg 1	5.5	-	-
Critical Hdwy Stg 2	5.5	-	-
Follow-up Hdwy	3.59	3.318	2.218
Pot Cap-1 Maneuver	920	1030	1536
Stage 1	961	-	-
Stage 2	977	-	-
Platoon blocked, %	-	-	-
Mov Cap-1 Maneuver	914	1029	1535
Mov Cap-2 Maneuver	914	-	-
Stage 1	955	-	-
Stage 2	976	-	-

Approach	EB	NB	SB
HCM Control Delay, s	9.2	3	0
HCM LOS	A		

Minor Lane/Major Mvmt	NBL	NBT	EBLn1	SBT	SBR
Capacity (veh/h)	1535	-	923	-	-
HCM Lane V/C Ratio	0.005	-	0.066	-	-
HCM Control Delay (s)	7.4	0	9.2	-	-
HCM Lane LOS	A	A	A	-	-
HCM 95th %tile Q(veh)	0	-	0.2	-	-

# Appendix D

Signal Warrants

Jack Dalgity Stree @ Paterson Street  
2027 Future Background

Justification #7

Justification	Description	Minimum Requirement		Minimum Requirement		Compliance		Entire %	Signal
		1 Lane Highway		2 or More Lanes		Sectional			
		Free Flow	Restr. Flow	Free Flow	Restr. Flow	Numerical	%		
1. Minimum Vehicular Volume	A. Vehicle volume, all approaches (average hour)	480	720	600	900	69	10%	10%	No
	B. Vehicle volume, along minor streets (average hour)	120	170	120	170	39	23%		
2. Delay to Cross Traffic	A. Vehicle volumes, major street (average hour)	480	720	600	900	43	6%	6%	No
	B. Combined vehicle and pedestrian volume crossing artery from minor streets (average hour)	50	75	50	75	22	30%		

Notes

1. Refer to OTM Book 12, pg 92, Mar 2012
2. Lowest section percentage governs justification
3. Average hourly volumes estimated from peak hour volumes,  $AHV = PM/2$  or  $(AM + PM) / 4$ , including amplification factors
4. T-intersection factor corrected, applies only to 1B

Jack Dalgity Stree @ Paterson Street  
2032 Future Background

Justification #7

Justification	Description	Minimum Requirement		Minimum Requirement		Compliance		Entire %	Signal
		1 Lane Highway		2 or More Lanes		Sectional			
		Free Flow	Restr. Flow	Free Flow	Restr. Flow	Numerical	%		
1. Minimum Vehicular Volume	A. Vehicle volume, all approaches (average hour)	480	720	600	900	80	11%	11%	No
	B. Vehicle volume, along minor streets (average hour)	120	170	120	170	39	23%		
2. Delay to Cross Traffic	A. Vehicle volumes, major street (average hour)	480	720	600	900	53	7%	7%	No
	B. Combined vehicle and pedestrian volume crossing artery from minor streets (average hour)	50	75	50	75	22	30%		

Notes

1. Refer to OTM Book 12, pg 92, Mar 2012
2. Lowest section percentage governs justification
3. Average hourly volumes estimated from peak hour volumes,  $AHV = PM/2$  or  $(AM + PM) / 4$ , including amplification factors
4. T-intersection factor corrected, applies only to 1B

Jack Dalgity Stree/Access #1 @ Paterson Street  
2027 Future Total

**Justification #7**

Justification	Description	Minimum Requirement		Minimum Requirement		Compliance		Entire %	Signal
		1 Lane Highway		2 or More Lanes		Sectional			
		Free Flow	Restr. Flow	Free Flow	Restr. Flow	Numerical	%		
1. Minimum Vehicular Volume	A. Vehicle volume, all approaches (average hour)	480	720	600	900	118	16%	16%	No
	B. Vehicle volume, along minor streets (average hour)	120	170	120	170	52	31%		
2. Delay to Cross Traffic	A. Vehicle volumes, major street (average hour)	480	720	600	900	66	9%	9%	No
	B. Combined vehicle and pedestrian volume crossing artery from minor streets (average hour)	50	75	50	75	26	35%		

- Notes  
 1. Refer to OTM Book 12, pg 92, Mar 2012  
 2. Lowest section percentage governs justification  
 3. Average hourly volumes estimated from peak hour volumes, AHV = PM/2 or (AM + PM) / 4, including amplification factors  
 4. T-intersection factor corrected, applies only to 1B

Jack Dalgity Stree/Access #1 @ Paterson Street  
2032 Future Total

**Justification #7**

Justification	Description	Minimum Requirement		Minimum Requirement		Compliance		Entire %	Signal
		1 Lane Highway		2 or More Lanes		Sectional			
		Free Flow	Restr. Flow	Free Flow	Restr. Flow	Numerical	%		
1. Minimum Vehicular Volume	A. Vehicle volume, all approaches (average hour)	480	720	600	900	128	18%	18%	No
	B. Vehicle volume, along minor streets (average hour)	120	170	120	170	52	31%		
2. Delay to Cross Traffic	A. Vehicle volumes, major street (average hour)	480	720	600	900	76	11%	11%	No
	B. Combined vehicle and pedestrian volume crossing artery from minor streets (average hour)	50	75	50	75	26	35%		

- Notes  
 1. Refer to OTM Book 12, pg 92, Mar 2012  
 2. Lowest section percentage governs justification  
 3. Average hourly volumes estimated from peak hour volumes, AHV = PM/2 or (AM + PM) / 4, including amplification factors  
 4. T-intersection factor corrected, applies only to 1B



Access #2 @ Appleton Side Road  
2027 Future Total

Justification #7

Justification	Description	Minimum Requirement		Minimum Requirement		Compliance		Entire %	Signal
		1 Lane Highway		2 or More Lanes		Sectional			
		Free Flow	Restr. Flow	Free Flow	Restr. Flow	Numerical	%		
1. Minimum Vehicular Volume	A. Vehicle volume, all approaches (average hour)	480	720	600	900	197	27%	27%	No
	B. Vehicle volume, along minor streets (average hour)	120	170	120	170	73	43%		
2. Delay to Cross Traffic	A. Vehicle volumes, major street (average hour)	480	720	600	900	148	21%	21%	No
	B. Combined vehicle and pedestrian volume crossing artery from minor streets (average hour)	50	75	50	75	41	55%		

- Notes
1. Refer to OTM Book 12, pg 92, Mar 2012
  2. Lowest section percentage governs justification
  3. Average hourly volumes estimated from peak hour volumes,  $AHV = PM/2$  or  $(AM + PM) / 4$ , including amplification factors
  4. T-intersection factor corrected, applies only to 1B

Access #2 @ Appleton Side Road  
2032 Future Total

Justification #7

Justification	Description	Minimum Requirement		Minimum Requirement		Compliance		Entire %	Signal
		1 Lane Highway		2 or More Lanes		Sectional			
		Free Flow	Restr. Flow	Free Flow	Restr. Flow	Numerical	%		
1. Minimum Vehicular Volume	A. Vehicle volume, all approaches (average hour)	480	720	600	900	205	28%	28%	No
	B. Vehicle volume, along minor streets (average hour)	120	170	120	170	73	43%		
2. Delay to Cross Traffic	A. Vehicle volumes, major street (average hour)	480	720	600	900	156	22%	22%	No
	B. Combined vehicle and pedestrian volume crossing artery from minor streets (average hour)	50	75	50	75	41	55%		

- Notes
1. Refer to OTM Book 12, pg 92, Mar 2012
  2. Lowest section percentage governs justification
  3. Average hourly volumes estimated from peak hour volumes,  $AHV = PM/2$  or  $(AM + PM) / 4$ , including amplification factors
  4. T-intersection factor corrected, applies only to 1B

Ottawa St/March Rd (CR 49) and Appleton Side Rd (CR 17)/Ramsay Con 11A  
2027 Future Background

Justification #7

Justification	Description	Minimum Requirement		Minimum Requirement		Compliance		Entire %	Signal
		1 Lane Highway		2 or More Lanes		Sectional			
		Free Flow	Restr. Flow	Free Flow	Restr. Flow	Numerical	%		
1. Minimum Vehicular Volume	A. Vehicle volume, all approaches (average hour)	480	720	600	900	559	78%	48%	No
	B. Vehicle volume, along minor streets (average hour)	120	170	120	170	81	48%		
2. Delay to Cross Traffic	A. Vehicle volumes, major street (average hour)	480	720	600	900	477	66%	63%	No
	B. Combined vehicle and pedestrian volume crossing artery from minor streets (average hour)	50	75	50	75	48	63%		

- Notes
1. Refer to OTM Book 12, pg 92, Mar 2012
  2. Lowest section percentage governs justification
  3. Average hourly volumes estimated from peak hour volumes,  $AHV = PM/2$  or  $(AM + PM) / 4$ , including amplification factors
  4. T-intersection factor corrected, applies only to 1B

Ottawa St/March Rd (CR 49) and Appleton Side Rd (CR 17)/Ramsay Con 11A  
2032 Future Background

Justification #7

Justification	Description	Minimum Requirement		Minimum Requirement		Compliance		Entire %	Signal
		1 Lane Highway		2 or More Lanes		Sectional			
		Free Flow	Restr. Flow	Free Flow	Restr. Flow	Numerical	%		
1. Minimum Vehicular Volume	A. Vehicle volume, all approaches (average hour)	480	720	600	900	598	83%	50%	No
	B. Vehicle volume, along minor streets (average hour)	120	170	120	170	86	50%		
2. Delay to Cross Traffic	A. Vehicle volumes, major street (average hour)	480	720	600	900	513	71%	67%	No
	B. Combined vehicle and pedestrian volume crossing artery from minor streets (average hour)	50	75	50	75	50	67%		

- Notes
1. Refer to OTM Book 12, pg 92, Mar 2012
  2. Lowest section percentage governs justification
  3. Average hourly volumes estimated from peak hour volumes,  $AHV = PM/2$  or  $(AM + PM) / 4$ , including amplification factors
  4. T-intersection factor corrected, applies only to 1B

Ottawa St/March Rd (CR 49) and Appleton Side Rd (CR 17)/Ramsay Con 11A  
2027 Future Total

Justification #7

Justification	Description	Minimum Requirement		Minimum Requirement		Compliance		Entire %	Signal
		1 Lane Highway		2 or More Lanes		Sectional			
		Free Flow	Restr. Flow	Free Flow	Restr. Flow	Numerical	%		
1. Minimum Vehicular Volume	A. Vehicle volume, all approaches (average hour)	480	720	600	900	642	89%	72%	No
	B. Vehicle volume, along minor streets (average hour)	120	170	120	170	122	72%		
2. Delay to Cross Traffic	A. Vehicle volumes, major street (average hour)	480	720	600	900	520	72%	72%	No
	B. Combined vehicle and pedestrian volume crossing artery from minor streets (average hour)	50	75	50	75	63	83%		

- Notes
1. Refer to OTM Book 12, pg 92, Mar 2012
  2. Lowest section percentage governs justification
  3. Average hourly volumes estimated from peak hour volumes,  $AHV = PM/2$  or  $(AM + PM) / 4$ , including amplification factors
  4. T-intersection factor corrected, applies only to 1B

Ottawa St/March Rd (CR 49) and Appleton Side Rd (CR 17)/Ramsay Con 11A  
2032 Future Total

Justification #7

Justification	Description	Minimum Requirement		Minimum Requirement		Compliance		Entire %	Signal
		1 Lane Highway		2 or More Lanes		Sectional			
		Free Flow	Restr. Flow	Free Flow	Restr. Flow	Numerical	%		
1. Minimum Vehicular Volume	A. Vehicle volume, all approaches (average hour)	480	720	600	900	681	95%	74%	No
	B. Vehicle volume, along minor streets (average hour)	120	170	120	170	127	74%		
2. Delay to Cross Traffic	A. Vehicle volumes, major street (average hour)	480	720	600	900	555	77%	77%	No
	B. Combined vehicle and pedestrian volume crossing artery from minor streets (average hour)	50	75	50	75	65	87%		

- Notes
1. Refer to OTM Book 12, pg 92, Mar 2012
  2. Lowest section percentage governs justification
  3. Average hourly volumes estimated from peak hour volumes,  $AHV = PM/2$  or  $(AM + PM) / 4$ , including amplification factors
  4. T-intersection factor corrected, applies only to 1B

# Appendix E

2027 Future Background Synchro and Sidra Worksheets

## MOVEMENT SUMMARY

Site: 101 [Ottawa/CR49 & Appleton/Ramsay FB2027 AM (Site Folder: General)]

New Site  
Site Category: (None)  
Roundabout

Vehicle Movement Performance														
Mov ID	Turn	INPUT VOLUMES		DEMAND FLOWS		Deg. Satn	Aver. Delay	Level of Service	95% BACK OF QUEUE		Prop. Que	Effective Stop Rate	Aver. No. Cycles	Aver. Speed km/h
		[ Total veh/h	HV %	[ Total veh/h	HV %				[ Veh. veh	Dist ] m				
South: Appleton														
1	L2	47	2.0	52	2.0	0.109	8.9	LOS A	0.4	3.0	0.43	0.61	0.43	48.4
2	T1	7	2.0	8	2.0	0.109	3.5	LOS A	0.4	3.0	0.43	0.61	0.43	47.8
3	R2	44	2.0	48	2.0	0.109	3.8	LOS A	0.4	3.0	0.43	0.61	0.43	46.4
Approach		98	2.0	108	2.0	0.109	6.2	LOS A	0.4	3.0	0.43	0.61	0.43	47.4
East: CR 49														
4	L2	33	2.0	36	2.0	0.119	7.7	LOS A	0.7	4.7	0.21	0.35	0.21	49.8
5	T1	292	2.0	321	2.0	0.119	2.3	LOS A	0.7	4.7	0.20	0.30	0.20	49.6
6	R2	15	2.0	16	2.0	0.119	2.7	LOS A	0.7	4.7	0.20	0.26	0.20	48.3
Approach		340	2.0	374	2.0	0.119	2.8	LOS A	0.7	4.7	0.20	0.30	0.20	49.5
North: Ramsay														
7	L2	26	2.0	29	2.0	0.059	8.8	LOS A	0.2	1.5	0.40	0.56	0.40	48.4
8	T1	11	2.0	12	2.0	0.059	3.3	LOS A	0.2	1.5	0.40	0.56	0.40	47.8
9	R2	17	2.0	19	2.0	0.059	3.6	LOS A	0.2	1.5	0.40	0.56	0.40	46.5
Approach		54	2.0	59	2.0	0.059	6.0	LOS A	0.2	1.5	0.40	0.56	0.40	47.7
West: Ottawa														
10	L2	8	2.0	9	2.0	0.149	7.8	LOS A	0.8	5.7	0.22	0.29	0.22	50.3
11	T1	375	2.0	412	2.0	0.149	2.3	LOS A	0.8	5.8	0.21	0.28	0.21	49.7
12	R2	40	2.0	44	2.0	0.149	2.7	LOS A	0.8	5.8	0.21	0.28	0.21	48.3
Approach		423	2.0	465	2.0	0.149	2.4	LOS A	0.8	5.8	0.21	0.28	0.21	49.6
All Vehicles		915	2.0	1005	2.0	0.149	3.2	LOS A	0.8	5.8	0.24	0.34	0.24	49.2

Site Level of Service (LOS) Method: Delay (SIDRA). Site LOS Method is specified in the Parameter Settings dialog (Site tab).  
 Roundabout LOS Method: SIDRA Roundabout LOS.  
 Vehicle movement LOS values are based on average delay per movement.  
 Intersection and Approach LOS values are based on average delay for all vehicle movements.  
 Roundabout Capacity Model: SIDRA Standard.  
 Delay Model: SIDRA Standard (Geometric Delay is included).  
 Queue Model: SIDRA Standard.  
 Gap-Acceptance Capacity: SIDRA Standard (Akçelik M3D).  
 HV (%) values are calculated for All Movement Classes of All Heavy Vehicle Model Designation.

## MOVEMENT SUMMARY

Site: 101 [Ottawa/CR49 & Appleton/Ramsay FB2027 PM (Site Folder: General)]

New Site  
Site Category: (None)  
Roundabout

Vehicle Movement Performance														
Mov ID	Turn	INPUT VOLUMES		DEMAND FLOWS		Deg. Satn	Aver. Delay	Level of Service	95% BACK OF QUEUE		Prop. Que	Effective Stop Rate	Aver. No. Cycles	Aver. Speed km/h
		[ Total veh/h	HV %	[ Total veh/h	HV %				[ Veh. veh	Dist ] m				
South: Appleton														
1	L2	72	2.0	74	2.0	0.126	8.9	LOS A	0.5	3.5	0.42	0.62	0.42	48.0
2	T1	12	2.0	12	2.0	0.126	3.4	LOS A	0.5	3.5	0.42	0.62	0.42	47.5
3	R2	38	2.0	39	2.0	0.126	3.7	LOS A	0.5	3.5	0.42	0.62	0.42	46.1
Approach		122	2.0	126	2.0	0.126	6.7	LOS A	0.5	3.5	0.42	0.62	0.42	47.4
East: CR 49														
4	L2	60	2.0	62	2.0	0.238	8.0	LOS A	1.4	10.3	0.30	0.36	0.30	49.5
5	T1	598	2.0	616	2.0	0.238	2.4	LOS A	1.5	10.5	0.28	0.32	0.28	49.3
6	R2	46	2.0	47	2.0	0.238	2.9	LOS A	1.5	10.5	0.28	0.29	0.28	48.0
Approach		704	2.0	726	2.0	0.238	2.9	LOS A	1.5	10.5	0.28	0.32	0.28	49.2
North: Ramsay														
7	L2	19	2.0	20	2.0	0.062	9.6	LOS A	0.2	1.7	0.51	0.63	0.51	48.3
8	T1	15	2.0	15	2.0	0.062	4.2	LOS A	0.2	1.7	0.51	0.63	0.51	47.7
9	R2	17	2.0	18	2.0	0.062	4.4	LOS A	0.2	1.7	0.51	0.63	0.51	46.3
Approach		51	2.0	53	2.0	0.062	6.3	LOS A	0.2	1.7	0.51	0.63	0.51	47.5
West: Ottawa														
10	L2	17	2.0	18	2.0	0.149	7.9	LOS A	0.8	5.6	0.25	0.31	0.25	50.0
11	T1	358	2.0	369	2.0	0.149	2.4	LOS A	0.8	5.7	0.24	0.30	0.24	49.5
12	R2	67	2.0	69	2.0	0.149	2.8	LOS A	0.8	5.7	0.23	0.30	0.23	48.1
Approach		442	2.0	456	2.0	0.149	2.7	LOS A	0.8	5.7	0.24	0.30	0.24	49.3
All Vehicles		1319	2.0	1360	2.0	0.238	3.3	LOS A	1.5	10.5	0.29	0.35	0.29	49.0

Site Level of Service (LOS) Method: Delay (SIDRA). Site LOS Method is specified in the Parameter Settings dialog (Site tab).  
 Roundabout LOS Method: SIDRA Roundabout LOS.  
 Vehicle movement LOS values are based on average delay per movement.  
 Intersection and Approach LOS values are based on average delay for all vehicle movements.  
 Roundabout Capacity Model: SIDRA Standard.  
 Delay Model: SIDRA Standard (Geometric Delay is included).  
 Queue Model: SIDRA Standard.  
 Gap-Acceptance Capacity: SIDRA Standard (Akçelik M3D).  
 HV (%) values are calculated for All Movement Classes of All Heavy Vehicle Model Designation.

Lanes, Volumes, Timings  
2: Paterson Street/Menzie Street & Ottawa Street  
2027 Future Background  
AM Peak Hour

Lane Group	EBL	EBT	EBR	WBL	WBT	WBR	NBL	NBT	NBR	SBL	SBT	SBR
Lane Configurations		↔		↔	↔	↔		↔		↔		↔
Traffic Volume (vph)	1	548	70	54	399	3	83	9	83	2	14	6
Future Volume (vph)	1	548	70	54	399	3	83	9	83	2	14	6
Satd. Flow (prot)	0	1658	0	1626	1664	1483	0	1528	0	0	1660	0
Fit Permitted			0.404					0.838			0.972	
Satd. Flow (perm)	0	1658	0	691	1664	1439	0	1300	0	0	1620	0
Satd. Flow (RTOR)		12				36		51			6	
Lane Group Flow (vph)	0	665	0	58	429	3	0	188	0	0	23	0
Turn Type	Perm	NA	Perm	NA	Perm	Perm	NA	Perm	NA	Perm	NA	
Protected Phases		2			6			8			4	
Permitted Phases	2			6		6	8			4		
Detector Phase	2	2		6	6	6	8	8		4	4	
Switch Phase												
Minimum Initial (s)	10.0	10.0		10.0	10.0	10.0	10.0	10.0		10.0	10.0	
Minimum Split (s)	26.3	26.3		26.3	26.3	26.3	31.0	31.0		31.0	31.0	
Total Split (s)	58.0	58.0		58.0	58.0	58.0	32.0	32.0		32.0	32.0	
Total Split (%)	64.4%	64.4%		64.4%	64.4%	64.4%	35.6%	35.6%		35.6%	35.6%	
Maximum Green (s)	51.7	51.7		51.7	51.7	51.7	26.0	26.0		26.0	26.0	
Yellow Time (s)	3.7	3.7		3.7	3.7	3.7	3.3	3.3		3.3	3.3	
All-Red Time (s)	2.6	2.6		2.6	2.6	2.6	2.7	2.7		2.7	2.7	
Lost Time Adjust (s)		0.0		0.0	0.0	0.0		0.0			0.0	
Total Lost Time (s)		6.3		6.3	6.3	6.3		6.0			6.0	
Lead/Lag												
Lead-Lag Optimize?												
Vehicle Extension (s)	3.0	3.0		3.0	3.0	3.0	3.0	3.0		3.0	3.0	
Recall Mode	Max	Max		Max	Max	Max	None	None		None	None	
Walk Time (s)	7.0	7.0		7.0	7.0	7.0	7.0	7.0		7.0	7.0	
Flash Dont Walk (s)	13.0	13.0		13.0	13.0	13.0	18.0	18.0		18.0	18.0	
Pedestrian Calls (#/hr)	1	1		4	4	4	2	2		10	10	
Act Effct Green (s)		55.3		55.3	55.3	55.3		15.2			15.2	
Actuated g/C Ratio		0.67		0.67	0.67	0.67		0.18			0.18	
v/c Ratio		0.60		0.13	0.39	0.00		0.67			0.08	
Control Delay		11.6		7.4	8.5	0.0		33.9			20.9	
Queue Delay		0.0		0.0	0.0	0.0		0.0			0.0	
Total Delay		11.6		7.4	8.5	0.0		33.9			20.9	
LOS		B		A	A	A		C			C	
Approach Delay		11.6			8.3			33.9			20.9	
Approach LOS		B			A			C			C	
Queue Length 50th (m)		45.6		2.7	24.2	0.0		18.9			2.1	
Queue Length 95th (m)		111.3		10.0	59.1	0.0		38.4			7.6	
Internal Link Dist (m)		113.0			108.0			153.2			106.0	
Turn Bay Length (m)						30.0						
Base Capacity (vph)		1110		461	1110	972		444			514	
Starvation Cap Reductn		0		0	0	0		0			0	
Spillback Cap Reductn		0		0	0	0		0			0	
Storage Cap Reductn		0		0	0	0		0			0	
Reduced v/c Ratio		0.60		0.13	0.39	0.00		0.42			0.04	
<b>Intersection Summary</b>												

Lanes, Volumes, Timings  
2: Paterson Street/Menzie Street & Ottawa Street  
2027 Future Background  
AM Peak Hour

Cycle Length: 90	
Actuated Cycle Length: 82.8	
Natural Cycle: 70	
Control Type: Semi Act-Uncoord	
Maximum v/c Ratio: 0.67	
Intersection Signal Delay: 13.6	Intersection LOS: B
Intersection Capacity Utilization 78.6%	ICU Level of Service D
Analysis Period (min) 15	

Splits and Phases: 2: Paterson Street/Menzie Street & Ottawa Street



HCM 2010 TWSC  
3: Appleton Side Road (Country Road 17) & Industrial Drive

2027 Future Background  
AM Peak Hour

Intersection						
Int Delay, s/veh	2.6					
Movement	EBL	EBR	NBL	NBT	SBT	SBR
Lane Configurations	↔			↕	↕	
Traffic Vol, veh/h	14	20	26	61	64	15
Future Vol, veh/h	14	20	26	61	64	15
Conflicting Peds, #/hr	0	0	0	0	0	0
Sign Control	Stop	Stop	Free	Free	Free	Free
RT Channelized	-	None	-	None	-	None
Storage Length	0	-	-	-	-	-
Veh in Median Storage, #	0	-	-	0	0	-
Grade, %	0	-	-	0	0	-
Peak Hour Factor	86	86	86	86	86	86
Heavy Vehicles, %	21	2	4	9	10	2
Mvmt Flow	16	23	30	71	74	17

Major/Minor	Minor2	Major1	Major2
Conflicting Flow All	214	83	91
Stage 1	83	-	-
Stage 2	131	-	-
Critical Hdwy	6.61	6.22	4.14
Critical Hdwy Stg 1	5.61	-	-
Critical Hdwy Stg 2	5.61	-	-
Follow-up Hdwy	3,689	3,318	2,236
Pot Cap-1 Maneuver	734	976	1491
Stage 1	894	-	-
Stage 2	850	-	-
Platoon blocked, %	-	-	-
Mov Cap-1 Maneuver	719	976	1491
Mov Cap-2 Maneuver	719	-	-
Stage 1	875	-	-
Stage 2	850	-	-

Approach	EB	NB	SB
HCM Control Delay, s	9.4	2.2	0
HCM LOS	A		

Minor Lane/Major Mvmt	NBL	NBT	EBLn1	SBT	SBR
Capacity (veh/h)	1491	-	851	-	-
HCM Lane V/C Ratio	0.02	-	0.046	-	-
HCM Control Delay (s)	7.5	0	9.4	-	-
HCM Lane LOS	A	A	A	-	-
HCM 95th %tile Q(veh)	0.1	-	0.1	-	-

HCM 2010 TWSC  
4: Paterson Street & Jack Dalgity Street

2027 Future Background  
AM Peak Hour

Intersection						
Int Delay, s/veh	4.4					
Movement	EBL	EBR	NBL	NBT	SBT	SBR
Lane Configurations	↔			↕	↕	
Traffic Vol, veh/h	37	11	10	20	25	17
Future Vol, veh/h	37	11	10	20	25	17
Conflicting Peds, #/hr	0	0	0	0	0	0
Sign Control	Stop	Stop	Free	Free	Free	Free
RT Channelized	-	None	-	None	-	None
Storage Length	0	-	-	-	-	-
Veh in Median Storage, #	0	-	-	0	0	-
Grade, %	0	-	-	0	0	-
Peak Hour Factor	71	71	71	71	71	71
Heavy Vehicles, %	3	45	30	2	6	6
Mvmt Flow	52	15	14	28	35	24

Major/Minor	Minor2	Major1	Major2
Conflicting Flow All	103	47	59
Stage 1	47	-	-
Stage 2	56	-	-
Critical Hdwy	6.43	6.65	4.4
Critical Hdwy Stg 1	5.43	-	-
Critical Hdwy Stg 2	5.43	-	-
Follow-up Hdwy	3,527	3,705	2,47
Pot Cap-1 Maneuver	893	913	1384
Stage 1	973	-	-
Stage 2	964	-	-
Platoon blocked, %	-	-	-
Mov Cap-1 Maneuver	884	913	1384
Mov Cap-2 Maneuver	884	-	-
Stage 1	963	-	-
Stage 2	964	-	-

Approach	EB	NB	SB
HCM Control Delay, s	9.4	2.5	0
HCM LOS	A		

Minor Lane/Major Mvmt	NBL	NBT	EBLn1	SBT	SBR
Capacity (veh/h)	1384	-	890	-	-
HCM Lane V/C Ratio	0.01	-	0.076	-	-
HCM Control Delay (s)	7.6	0	9.4	-	-
HCM Lane LOS	A	A	A	-	-
HCM 95th %tile Q(veh)	0	-	0.2	-	-

Lanes, Volumes, Timings  
 2: Paterson Street/Menzie Street & Ottawa Street  
 2027 Future Background  
 PM Peak Hour

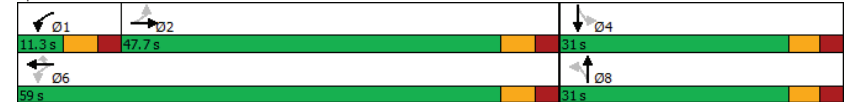
Lane Group	EBL	EBT	EBR	WBL	WBT	WBR	NBL	NBT	NBR	SBL	SBT	SBR
Lane Configurations		↔	↔	↔	↔	↔		↔	↔	↔	↔	↔
Traffic Volume (vph)	4	549	51	65	798	11	93	8	69	7	3	5
Future Volume (vph)	4	549	51	65	798	11	93	8	69	7	3	5
Satd. Flow (prot)	0	1703	0	1658	1728	1483	0	1595	0	0	1608	0
Fit Permitted		0.996		0.290				0.821			0.884	
Satd. Flow (perm)	0	1696	0	506	1728	1438	0	1335	0	0	1455	0
Satd. Flow (RTOR)		7				36		38			5	
Lane Group Flow (vph)	0	636	0	68	840	12	0	179	0	0	15	0
Turn Type	Perm	NA	pm+pt	NA	Perm	Perm	NA	NA	Perm	NA	NA	
Protected Phases		2		1	6			8			4	
Permitted Phases	2		6		6	8				4		
Detector Phase	2	2	1	6	6	8	8			4	4	
Switch Phase												
Minimum Initial (s)	10.0	10.0	5.0	10.0	10.0	10.0	10.0			10.0	10.0	
Minimum Split (s)	26.3	26.3	11.3	26.3	26.3	31.0	31.0			31.0	31.0	
Total Split (s)	47.7	47.7	11.3	59.0	59.0	31.0	31.0			31.0	31.0	
Total Split (%)	53.0%	53.0%	12.6%	65.6%	65.6%	34.4%	34.4%			34.4%	34.4%	
Yellow Time (s)	3.7	3.7	3.7	3.7	3.7	3.3	3.3			3.3	3.3	
All-Red Time (s)	2.6	2.6	2.6	2.6	2.6	2.7	2.7			2.7	2.7	
Lost Time Adjust (s)		0.0		0.0	0.0	0.0	0.0			0.0	0.0	
Total Lost Time (s)		6.3		6.3	6.3	6.0	6.0			6.0	6.0	
Lead/Lag	Lag	Lag	Lead									
Lead-Lag Optimize?	Yes	Yes	Yes									
Recall Mode	Max	Max	None	Max	Max	None	None			Max	Max	
Act Effct Green (s)		43.7		52.7	52.7	52.7	25.0				25.0	
Actuated g/C Ratio		0.49		0.59	0.59	0.59	0.28				0.28	
v/c Ratio		0.77		0.19	0.83	0.01	0.45				0.04	
Control Delay		27.8		9.4	24.2	0.5	25.2				19.6	
Queue Delay		0.0		0.0	0.0	0.0	0.0				0.0	
Total Delay		27.8		9.4	24.2	0.5	25.2				19.6	
LOS		C		A	C	A	C				B	
Approach Delay		27.8			22.8		25.2				19.6	
Approach LOS		C			C		C				B	
Queue Length 50th (m)		90.4		4.7	108.1	0.0	19.8				1.3	
Queue Length 95th (m)		#150.6		10.1	#174.7	0.5	38.7				5.8	
Internal Link Dist (m)		113.0			108.0		153.2				106.0	
Turn Bay Length (m)					30.0							
Base Capacity (vph)		826		360	1011	856	398				407	
Starvation Cap Reductn		0		0	0	0	0				0	
Spillback Cap Reductn		0		0	0	0	0				0	
Storage Cap Reductn		0		0	0	0	0				0	
Reduced v/c Ratio		0.77		0.19	0.83	0.01	0.45				0.04	

Intersection Summary	
Cycle Length:	90
Actuated Cycle Length:	90
Natural Cycle:	80
Control Type:	Semi Act-Uncoord
Maximum v/c Ratio:	0.83

Lanes, Volumes, Timings  
 2: Paterson Street/Menzie Street & Ottawa Street  
 2027 Future Background  
 PM Peak Hour

Intersection Signal Delay: 24.8	Intersection LOS: C
Intersection Capacity Utilization 82.9%	ICU Level of Service E
Analysis Period (min) 15	
# 95th percentile volume exceeds capacity, queue may be longer.	
Queue shown is maximum after two cycles.	

Splits and Phases: 2: Paterson Street/Menzie Street & Ottawa Street





HCM 2010 TWSC  
3: Appleton Side Road (Country Road 17) & Industrial Drive

2027 Future Background  
PM Peak Hour

Intersection						
Int Delay, s/veh	2					
Movement	EBL	EBR	NBL	NBT	SBT	SBR
Lane Configurations	↔			↕	↕	
Traffic Vol, veh/h	13	21	35	80	116	27
Future Vol, veh/h	13	21	35	80	116	27
Conflicting Peds, #/hr	0	0	0	0	0	0
Sign Control	Stop	Stop	Free	Free	Free	Free
RT Channelized	-	None	-	None	-	None
Storage Length	0	-	-	-	-	-
Veh in Median Storage, #	0	-	-	0	0	-
Grade, %	0	-	-	0	0	-
Peak Hour Factor	96	96	96	96	96	96
Heavy Vehicles, %	2	5	3	7	12	4
Mvmt Flow	14	22	36	83	121	28

Major/Minor	Minor2	Major1	Major2
Conflicting Flow All	290	135	149
Stage 1	135	-	-
Stage 2	155	-	-
Critical Hdwy	6.42	6.25	4.13
Critical Hdwy Stg 1	5.42	-	-
Critical Hdwy Stg 2	5.42	-	-
Follow-up Hdwy	3.518	3.345	2.227
Pot Cap-1 Maneuver	701	906	1426
Stage 1	891	-	-
Stage 2	873	-	-
Platoon blocked, %	-	-	-
Mov Cap-1 Maneuver	683	906	1426
Mov Cap-2 Maneuver	683	-	-
Stage 1	868	-	-
Stage 2	873	-	-

Approach	EB	NB	SB
HCM Control Delay, s	9.7	2.3	0
HCM LOS	A		

Minor Lane/Major Mvmt	NBL	NBT	EBLn1	SBT	SBR
Capacity (veh/h)	1426	-	805	-	-
HCM Lane V/C Ratio	0.026	-	0.044	-	-
HCM Control Delay (s)	7.6	0	9.7	-	-
HCM Lane LOS	A	A	A	-	-
HCM 95th %tile Q(veh)	0.1	-	0.1	-	-

HCM 2010 TWSC  
4: Paterson Street & Jack Dalgity Street

2027 Future Background  
PM Peak Hour

Intersection						
Int Delay, s/veh	3.7					
Movement	EBL	EBR	NBL	NBT	SBT	SBR
Lane Configurations	↔			↕	↕	
Traffic Vol, veh/h	52	5	7	22	23	47
Future Vol, veh/h	52	5	7	22	23	47
Conflicting Peds, #/hr	0	0	1	0	0	0
Sign Control	Stop	Stop	Free	Free	Free	Free
RT Channelized	-	None	-	None	-	None
Storage Length	0	-	-	-	-	-
Veh in Median Storage, #	0	-	-	0	0	-
Grade, %	0	-	-	0	0	-
Peak Hour Factor	94	94	94	94	94	94
Heavy Vehicles, %	10	2	2	2	7	4
Mvmt Flow	55	5	7	23	24	50

Major/Minor	Minor2	Major1	Major2
Conflicting Flow All	87	50	75
Stage 1	50	-	-
Stage 2	37	-	-
Critical Hdwy	6.5	6.22	4.12
Critical Hdwy Stg 1	5.5	-	-
Critical Hdwy Stg 2	5.5	-	-
Follow-up Hdwy	3.59	3.318	2.218
Pot Cap-1 Maneuver	895	1018	1524
Stage 1	952	-	-
Stage 2	965	-	-
Platoon blocked, %	-	-	-
Mov Cap-1 Maneuver	889	1017	1523
Mov Cap-2 Maneuver	889	-	-
Stage 1	946	-	-
Stage 2	964	-	-

Approach	EB	NB	SB
HCM Control Delay, s	9.3	1.8	0
HCM LOS	A		

Minor Lane/Major Mvmt	NBL	NBT	EBLn1	SBT	SBR
Capacity (veh/h)	1523	-	899	-	-
HCM Lane V/C Ratio	0.005	-	0.067	-	-
HCM Control Delay (s)	7.4	0	9.3	-	-
HCM Lane LOS	A	A	A	-	-
HCM 95th %tile Q(veh)	0	-	0.2	-	-

# Appendix F

2032 Future Background Synchro and Sidra Worksheets

## MOVEMENT SUMMARY

Site: 101 [Ottawa/CR49 & Appleton/Ramsay FB2032 AM (Site Folder: General)]

New Site  
Site Category: (None)  
Roundabout

Vehicle Movement Performance														
Mov ID	Turn	INPUT VOLUMES		DEMAND FLOWS		Deg. Satn	Aver. Delay	Level of Service	95% BACK OF QUEUE		Prop. Que	Effective Stop Rate	Aver. No. Cycles	Aver. Speed km/h
		[ Total veh/h	HV %	[ Total veh/h	HV %				[ Veh. veh	Dist. m				
South: Appleton														
1	L2	51	2.0	56	2.0	0.120	9.0	LOS A	0.5	3.3	0.44	0.62	0.44	48.3
2	T1	7	2.0	8	2.0	0.120	3.6	LOS A	0.5	3.3	0.44	0.62	0.44	47.7
3	R2	48	2.0	53	2.0	0.120	3.9	LOS A	0.5	3.3	0.44	0.62	0.44	46.4
Approach		106	2.0	116	2.0	0.120	6.3	LOS A	0.5	3.3	0.44	0.62	0.44	47.4
East: CR 49														
4	L2	36	2.0	40	2.0	0.129	7.8	LOS A	0.7	5.1	0.22	0.35	0.22	49.7
5	T1	315	2.0	346	2.0	0.129	2.3	LOS A	0.7	5.2	0.21	0.30	0.21	49.5
6	R2	15	2.0	16	2.0	0.129	2.7	LOS A	0.7	5.2	0.21	0.27	0.21	48.3
Approach		366	2.0	402	2.0	0.129	2.8	LOS A	0.7	5.2	0.22	0.30	0.22	49.5
North: Ramsay														
7	L2	26	2.0	29	2.0	0.060	8.8	LOS A	0.2	1.6	0.41	0.57	0.41	48.4
8	T1	11	2.0	12	2.0	0.060	3.4	LOS A	0.2	1.6	0.41	0.57	0.41	47.8
9	R2	17	2.0	19	2.0	0.060	3.7	LOS A	0.2	1.6	0.41	0.57	0.41	46.4
Approach		54	2.0	59	2.0	0.060	6.1	LOS A	0.2	1.6	0.41	0.57	0.41	47.6
West: Ottawa														
10	L2	8	2.0	9	2.0	0.161	7.8	LOS A	0.9	6.2	0.23	0.29	0.23	50.2
11	T1	404	2.0	444	2.0	0.161	2.3	LOS A	0.9	6.3	0.22	0.28	0.22	49.7
12	R2	43	2.0	47	2.0	0.161	2.7	LOS A	0.9	6.3	0.21	0.28	0.21	48.2
Approach		455	2.0	500	2.0	0.161	2.5	LOS A	0.9	6.3	0.22	0.28	0.22	49.6
All Vehicles		981	2.0	1078	2.0	0.161	3.2	LOS A	0.9	6.3	0.25	0.34	0.25	49.2

Site Level of Service (LOS) Method: Delay (SIDRA). Site LOS Method is specified in the Parameter Settings dialog (Site tab).  
Roundabout LOS Method: SIDRA Roundabout LOS.  
Vehicle movement LOS values are based on average delay per movement.  
Intersection and Approach LOS values are based on average delay for all vehicle movements.  
Roundabout Capacity Model: SIDRA Standard.  
Delay Model: SIDRA Standard (Geometric Delay is included).  
Queue Model: SIDRA Standard.  
Gap-Acceptance Capacity: SIDRA Standard (Akçelik M3D).  
HV (%) values are calculated for All Movement Classes of All Heavy Vehicle Model Designation.

## MOVEMENT SUMMARY

Site: 101 [Ottawa/CR49 & Appleton/Ramsay FB2032 PM (Site Folder: General)]

New Site  
Site Category: (None)  
Roundabout

Vehicle Movement Performance														
Mov ID	Turn	INPUT VOLUMES		DEMAND FLOWS		Deg. Satn	Aver. Delay	Level of Service	95% BACK OF QUEUE		Prop. Que	Effective Stop Rate	Aver. No. Cycles	Aver. Speed km/h
		[ Total veh/h	HV %	[ Total veh/h	HV %				[ Veh. veh	Dist. m				
South: Appleton														
1	L2	78	2.0	80	2.0	0.137	8.9	LOS A	0.5	3.9	0.44	0.63	0.44	48.0
2	T1	12	2.0	12	2.0	0.137	3.5	LOS A	0.5	3.9	0.44	0.63	0.44	47.4
3	R2	41	2.0	42	2.0	0.137	3.8	LOS A	0.5	3.9	0.44	0.63	0.44	46.1
Approach		131	2.0	135	2.0	0.137	6.8	LOS A	0.5	3.9	0.44	0.63	0.44	47.3
East: CR 49														
4	L2	65	2.0	67	2.0	0.257	8.0	LOS A	1.6	11.3	0.31	0.36	0.31	49.5
5	T1	644	2.0	664	2.0	0.257	2.5	LOS A	1.6	11.6	0.30	0.32	0.30	49.2
6	R2	46	2.0	47	2.0	0.257	2.9	LOS A	1.6	11.6	0.29	0.29	0.29	47.9
Approach		755	2.0	778	2.0	0.257	3.0	LOS A	1.6	11.6	0.30	0.32	0.30	49.1
North: Ramsay														
7	L2	19	2.0	20	2.0	0.063	9.8	LOS A	0.2	1.7	0.53	0.64	0.53	48.2
8	T1	15	2.0	15	2.0	0.063	4.3	LOS A	0.2	1.7	0.53	0.64	0.53	47.6
9	R2	17	2.0	18	2.0	0.063	4.6	LOS A	0.2	1.7	0.53	0.64	0.53	46.3
Approach		51	2.0	53	2.0	0.063	6.4	LOS A	0.2	1.7	0.53	0.64	0.53	47.4
West: Ottawa														
10	L2	17	2.0	18	2.0	0.160	7.9	LOS A	0.9	6.2	0.26	0.32	0.26	50.0
11	T1	385	2.0	397	2.0	0.160	2.4	LOS A	0.9	6.3	0.25	0.31	0.25	49.5
12	R2	72	2.0	74	2.0	0.160	2.8	LOS A	0.9	6.3	0.24	0.30	0.24	48.1
Approach		474	2.0	489	2.0	0.160	2.7	LOS A	0.9	6.3	0.25	0.31	0.25	49.3
All Vehicles		1411	2.0	1455	2.0	0.257	3.4	LOS A	1.6	11.6	0.30	0.36	0.30	49.0

Site Level of Service (LOS) Method: Delay (SIDRA). Site LOS Method is specified in the Parameter Settings dialog (Site tab).  
Roundabout LOS Method: SIDRA Roundabout LOS.  
Vehicle movement LOS values are based on average delay per movement.  
Intersection and Approach LOS values are based on average delay for all vehicle movements.  
Roundabout Capacity Model: SIDRA Standard.  
Delay Model: SIDRA Standard (Geometric Delay is included).  
Queue Model: SIDRA Standard.  
Gap-Acceptance Capacity: SIDRA Standard (Akçelik M3D).  
HV (%) values are calculated for All Movement Classes of All Heavy Vehicle Model Designation.

Lanes, Volumes, Timings  
 2: Paterson Street/Menzie Street & Ottawa Street  
 2032 Future Background  
 AM Peak Hour

Lane Group	EBL	EBT	EBR	WBL	WBT	WBR	NBL	NBT	NBR	SBL	SBT	SBR
Lane Configurations		↔		↔	↔	↔		↔			↔	
Traffic Volume (vph)	1	591	75	58	429	3	89	9	89	2	14	6
Future Volume (vph)	1	591	75	58	429	3	89	9	89	2	14	6
Satd. Flow (prot)	0	1658	0	1626	1664	1483	0	1528	0	0	1660	0
Fit Permitted				0.379				0.837			0.971	
Satd. Flow (perm)	0	1658	0	648	1664	1439	0	1298	0	0	1618	0
Satd. Flow (RTOR)		12				36		51			6	
Lane Group Flow (vph)	0	717	0	62	461	3	0	202	0	0	23	0
Turn Type	Perm	NA	Perm	NA	Perm	Perm	NA	Perm	NA	Perm	NA	
Protected Phases		2		6		6	8		8		4	
Permitted Phases	2		6		6	8		8		4		
Detector Phase	2	2	6	6	6	8	8			4	4	
Switch Phase												
Minimum Initial (s)	10.0	10.0	10.0	10.0	10.0	10.0	10.0	10.0	10.0	10.0	10.0	
Minimum Split (s)	26.3	26.3	26.3	26.3	26.3	26.3	31.0	31.0	31.0	31.0	31.0	
Total Split (s)	58.0	58.0	58.0	58.0	58.0	32.0	32.0	32.0	32.0	32.0	32.0	
Total Split (%)	64.4%	64.4%	64.4%	64.4%	64.4%	35.6%	35.6%	35.6%	35.6%	35.6%	35.6%	
Maximum Green (s)	51.7	51.7	51.7	51.7	51.7	26.0	26.0	26.0	26.0	26.0	26.0	
Yellow Time (s)	3.7	3.7	3.7	3.7	3.7	3.3	3.3	3.3	3.3	3.3	3.3	
All-Red Time (s)	2.6	2.6	2.6	2.6	2.6	2.7	2.7	2.7	2.7	2.7	2.7	
Lost Time Adjust (s)		0.0	0.0	0.0	0.0	0.0	0.0	0.0	0.0	0.0	0.0	
Total Lost Time (s)		6.3	6.3	6.3	6.3	6.0	6.0	6.0	6.0	6.0	6.0	
Lead/Lag												
Lead-Lag Optimize?												
Vehicle Extension (s)	3.0	3.0	3.0	3.0	3.0	3.0	3.0	3.0	3.0	3.0	3.0	
Recall Mode	Max	Max	Max	Max	Max	None	None	None	None	None	None	
Walk Time (s)	7.0	7.0	7.0	7.0	7.0	7.0	7.0	7.0	7.0	7.0	7.0	
Flash Dont Walk (s)	13.0	13.0	13.0	13.0	13.0	13.0	18.0	18.0	18.0	18.0	18.0	
Pedestrian Calls (#/hr)	1	1	4	4	4	2	2	2	2	10	10	
Act Effct Green (s)		54.9		54.9	54.9		15.8		15.8		15.8	
Actuated g/C Ratio		0.66		0.66	0.66		0.19		0.19		0.19	
v/c Ratio		0.65		0.14	0.42	0.00	0.70		0.07		0.07	
Control Delay		13.1		7.9	9.1	0.0	35.8		20.7		20.7	
Queue Delay		0.0		0.0	0.0	0.0	0.0		0.0		0.0	
Total Delay		13.1		7.9	9.1	0.0	35.8		20.7		20.7	
LOS		B		A	A	A	D		C		C	
Approach Delay		13.1		8.9			35.8		20.7			
Approach LOS		B		A			D		C			
Queue Length 50th (m)		54.6		3.0	28.2	0.0	21.2		2.1			
Queue Length 95th (m)		127.2		10.8	64.8	0.0	42.0		7.6			
Internal Link Dist (m)		113.0			108.0		153.2		106.0			
Turn Bay Length (m)						30.0						
Base Capacity (vph)		1100		428	1100	963	442		512			
Starvation Cap Reductn		0		0	0	0	0		0		0	
Spillback Cap Reductn		0		0	0	0	0		0		0	
Storage Cap Reductn		0		0	0	0	0		0		0	
Reduced v/c Ratio		0.65		0.14	0.42	0.00	0.46		0.04		0.04	
<b>Intersection Summary</b>												

Lanes, Volumes, Timings  
 2: Paterson Street/Menzie Street & Ottawa Street  
 2032 Future Background  
 AM Peak Hour

Cycle Length: 90
Actuated Cycle Length: 83
Natural Cycle: 75
Control Type: Semi Act-Uncoord
Maximum v/c Ratio: 0.70
Intersection Signal Delay: 14.9
Intersection Capacity Utilization 82.0%
Analysis Period (min) 15
Intersection LOS: B
ICU Level of Service E

Splits and Phases: 2: Paterson Street/Menzie Street & Ottawa Street



HCM 2010 TWSC  
3: Appleton Side Road (Country Road 17) & Industrial Drive

2032 Future Background  
AM Peak Hour

Intersection						
Int Delay, s/veh	2.4					
Movement	EBL	EBR	NBL	NBT	SBT	SBR
Lane Configurations	↔			↕	↕	
Traffic Vol, veh/h	14	20	26	69	70	15
Future Vol, veh/h	14	20	26	69	70	15
Conflicting Peds, #/hr	0	0	0	0	0	0
Sign Control	Stop	Stop	Free	Free	Free	Free
RT Channelized	-	None	-	None	-	None
Storage Length	0	-	-	-	-	-
Veh in Median Storage, #	0	-	-	0	0	-
Grade, %	0	-	-	0	0	-
Peak Hour Factor	86	86	86	86	86	86
Heavy Vehicles, %	21	2	4	9	10	2
Mvmt Flow	16	23	30	80	81	17

Major/Minor	Minor2	Major1	Major2		
Conflicting Flow All	230	90	98	0	- 0
Stage 1	90	-	-	-	-
Stage 2	140	-	-	-	-
Critical Hdwy	6.61	6.22	4.14	-	- -
Critical Hdwy Stg 1	5.61	-	-	-	-
Critical Hdwy Stg 2	5.61	-	-	-	-
Follow-up Hdwy	3,689	3,318	2,236	-	- -
Pot Cap-1 Maneuver	718	968	1483	-	- -
Stage 1	888	-	-	-	-
Stage 2	842	-	-	-	-
Platoon blocked, %				-	- -
Mov Cap-1 Maneuver	703	968	1483	-	- -
Mov Cap-2 Maneuver	703	-	-	-	-
Stage 1	869	-	-	-	-
Stage 2	842	-	-	-	-

Approach	EB	NB	SB
HCM Control Delay, s	9.5	2	0
HCM LOS	A		

Minor Lane/Major Mvmt	NBL	NBT	EBLn1	SBT	SBR
Capacity (veh/h)	1483	-	838	-	-
HCM Lane V/C Ratio	0.02	-	0.047	-	-
HCM Control Delay (s)	7.5	0	9.5	-	-
HCM Lane LOS	A	A	A	-	-
HCM 95th %tile Q(veh)	0.1	-	0.1	-	-

HCM 2010 TWSC  
4: Paterson Street & Jack Dalgity Street

2032 Future Background  
AM Peak Hour

Intersection						
Int Delay, s/veh	3.8					
Movement	EBL	EBR	NBL	NBT	SBT	SBR
Lane Configurations	↔			↕	↕	
Traffic Vol, veh/h	37	11	10	32	34	17
Future Vol, veh/h	37	11	10	32	34	17
Conflicting Peds, #/hr	0	0	0	0	0	0
Sign Control	Stop	Stop	Free	Free	Free	Free
RT Channelized	-	None	-	None	-	None
Storage Length	0	-	-	-	-	-
Veh in Median Storage, #	0	-	-	0	0	-
Grade, %	0	-	-	0	0	-
Peak Hour Factor	71	71	71	71	71	71
Heavy Vehicles, %	3	45	30	2	6	6
Mvmt Flow	52	15	14	45	48	24

Major/Minor	Minor2	Major1	Major2		
Conflicting Flow All	133	60	72	0	- 0
Stage 1	60	-	-	-	-
Stage 2	73	-	-	-	-
Critical Hdwy	6.43	6.65	4.4	-	- -
Critical Hdwy Stg 1	5.43	-	-	-	-
Critical Hdwy Stg 2	5.43	-	-	-	-
Follow-up Hdwy	3,527	3,705	2,47	-	- -
Pot Cap-1 Maneuver	858	897	1368	-	- -
Stage 1	960	-	-	-	-
Stage 2	947	-	-	-	-
Platoon blocked, %				-	- -
Mov Cap-1 Maneuver	849	897	1368	-	- -
Mov Cap-2 Maneuver	849	-	-	-	-
Stage 1	950	-	-	-	-
Stage 2	947	-	-	-	-

Approach	EB	NB	SB
HCM Control Delay, s	9.5	1.8	0
HCM LOS	A		

Minor Lane/Major Mvmt	NBL	NBT	EBLn1	SBT	SBR
Capacity (veh/h)	1368	-	860	-	-
HCM Lane V/C Ratio	0.01	-	0.079	-	-
HCM Control Delay (s)	7.7	0	9.5	-	-
HCM Lane LOS	A	A	A	-	-
HCM 95th %tile Q(veh)	0	-	0.3	-	-

Lanes, Volumes, Timings  
 2: Paterson Street/Menzie Street & Ottawa Street  
 2032 Future Background  
 PM Peak Hour

Lane Group	EBL	EBT	EBR	WBL	WBT	WBR	NBL	NBT	NBR	SBL	SBT	SBR
Lane Configurations		↔	↔	↔	↔	↔		↔	↔	↔	↔	↔
Traffic Volume (vph)	4	592	55	70	860	11	100	8	74	7	3	5
Future Volume (vph)	4	592	55	70	860	11	100	8	74	7	3	5
Satd. Flow (prot)	0	1703	0	1658	1728	1483	0	1595	0	0	1608	0
Fit Permitted		0.995		0.269				0.821			0.881	
Satd. Flow (perm)	0	1695	0	469	1728	1438	0	1335	0	0	1450	0
Satd. Flow (RTOR)		7				36		38			5	
Lane Group Flow (vph)	0	685	0	74	905	12	0	191	0	0	15	0
Turn Type	Perm	NA	pm+pt	NA	Perm	Perm	NA	Perm	NA	Perm	NA	
Protected Phases		2		1	6			8			4	
Permitted Phases	2		6		6	8				4		
Detector Phase	2	2	1	6	6	8	8			4	4	
Switch Phase												
Minimum Initial (s)	10.0	10.0	5.0	10.0	10.0	10.0	10.0	10.0	10.0	10.0	10.0	10.0
Minimum Split (s)	26.3	26.3	11.3	26.3	26.3	31.0	31.0	31.0	31.0	31.0	31.0	31.0
Total Split (s)	47.7	47.7	11.3	59.0	59.0	31.0	31.0	31.0	31.0	31.0	31.0	31.0
Total Split (%)	53.0%	53.0%	12.6%	65.6%	65.6%	34.4%	34.4%	34.4%	34.4%	34.4%	34.4%	34.4%
Yellow Time (s)	3.7	3.7	3.7	3.7	3.7	3.3	3.3	3.3	3.3	3.3	3.3	3.3
All-Red Time (s)	2.6	2.6	2.6	2.6	2.6	2.7	2.7	2.7	2.7	2.7	2.7	2.7
Lost Time Adjust (s)	0.0	0.0	0.0	0.0	0.0	0.0	0.0	0.0	0.0	0.0	0.0	0.0
Total Lost Time (s)		6.3		6.3	6.3	6.0		6.0			6.0	
Lead/Lag	Lag	Lag	Lead									
Lead-Lag Optimize?	Yes	Yes	Yes									
Recall Mode	Max	Max	None	Max	Max	None	None	Max	Max			
Act Effct Green (s)	43.7	52.7	52.7	52.7	52.7	25.0	25.0	25.0	25.0	25.0	25.0	25.0
Actuated g/C Ratio	0.49	0.59	0.59	0.59	0.59	0.28	0.28	0.28	0.28	0.28	0.28	0.28
v/c Ratio	0.83	0.22	0.90	0.01	0.48	0.04	0.04	0.04	0.04	0.04	0.04	0.04
Control Delay	31.6	9.7	29.8	0.5	26.2	19.6	19.6	19.6	19.6	19.6	19.6	19.6
Queue Delay	0.0	0.0	0.0	0.0	0.0	0.0	0.0	0.0	0.0	0.0	0.0	0.0
Total Delay	31.6	9.7	29.8	0.5	26.2	19.6	19.6	19.6	19.6	19.6	19.6	19.6
LOS	C	A	C	A	C	B	B	B	B	B	B	B
Approach Delay	31.6		28.0		26.2	19.6	19.6	19.6	19.6	19.6	19.6	19.6
Approach LOS	C		C		C	B	B	B	B	B	B	B
Queue Length 50th (m)	102.3	5.1	125.8	0.0	21.7	1.3	1.3	1.3	1.3	1.3	1.3	1.3
Queue Length 95th (m)	#170.4	10.7	#214.4	0.5	41.9	5.8	5.8	5.8	5.8	5.8	5.8	5.8
Internal Link Dist (m)	113.0		108.0		153.2	106.0	106.0	106.0	106.0	106.0	106.0	106.0
Turn Bay Length (m)				30.0								
Base Capacity (vph)	825	340	1011	856	398	406	406	406	406	406	406	406
Starvation Cap Reductn	0	0	0	0	0	0	0	0	0	0	0	0
Spillback Cap Reductn	0	0	0	0	0	0	0	0	0	0	0	0
Storage Cap Reductn	0	0	0	0	0	0	0	0	0	0	0	0
Reduced v/c Ratio	0.83	0.22	0.90	0.01	0.48	0.04	0.04	0.04	0.04	0.04	0.04	0.04

Intersection Summary	
Cycle Length:	90
Actuated Cycle Length:	90
Natural Cycle:	90
Control Type:	Semi Act-Uncoord
Maximum v/c Ratio:	0.90

Lanes, Volumes, Timings  
 2: Paterson Street/Menzie Street & Ottawa Street  
 2032 Future Background  
 PM Peak Hour

Intersection Signal Delay: 29.0	Intersection LOS: C
Intersection Capacity Utilization 87.3%	ICU Level of Service E
Analysis Period (min) 15	
# 95th percentile volume exceeds capacity, queue may be longer.	
Queue shown is maximum after two cycles.	

Splits and Phases: 2: Paterson Street/Menzie Street & Ottawa Street



HCM 2010 TWSC  
3: Appleton Side Road (Country Road 17) & Industrial Drive

2032 Future Background  
PM Peak Hour

Intersection						
Int Delay, s/veh	1.9					
Movement	EBL	EBR	NBL	NBT	SBT	SBR
Lane Configurations	↔			↕	↕	
Traffic Vol, veh/h	13	21	35	89	126	27
Future Vol, veh/h	13	21	35	89	126	27
Conflicting Peds, #/hr	0	0	0	0	0	0
Sign Control	Stop	Stop	Free	Free	Free	Free
RT Channelized	-	None	-	None	-	None
Storage Length	0	-	-	-	-	-
Veh in Median Storage, #	0	-	-	0	0	-
Grade, %	0	-	-	0	0	-
Peak Hour Factor	96	96	96	96	96	96
Heavy Vehicles, %	2	5	3	7	12	4
Mvmt Flow	14	22	36	93	131	28

Major/Minor	Minor2	Major1	Major2
Conflicting Flow All	310	145	159
Stage 1	145	-	-
Stage 2	165	-	-
Critical Hdwy	6.42	6.25	4.13
Critical Hdwy Stg 1	5.42	-	-
Critical Hdwy Stg 2	5.42	-	-
Follow-up Hdwy	3.518	3.345	2.227
Pot Cap-1 Maneuver	682	894	1414
Stage 1	882	-	-
Stage 2	864	-	-
Platoon blocked, %	-	-	-
Mov Cap-1 Maneuver	664	894	1414
Mov Cap-2 Maneuver	664	-	-
Stage 1	858	-	-
Stage 2	864	-	-

Approach	EB	NB	SB
HCM Control Delay, s	9.8	2.1	0
HCM LOS	A		

Minor Lane/Major Mvmt	NBL	NBT	EBLn1	SBT	SBR
Capacity (veh/h)	1414	-	789	-	-
HCM Lane V/C Ratio	0.026	-	0.045	-	-
HCM Control Delay (s)	7.6	0	9.8	-	-
HCM Lane LOS	A	A	A	-	-
HCM 95th %tile Q(veh)	0.1	-	0.1	-	-

HCM 2010 TWSC  
4: Paterson Street & Jack Dalgity Street

2032 Future Background  
PM Peak Hour

Intersection						
Int Delay, s/veh	3.3					
Movement	EBL	EBR	NBL	NBT	SBT	SBR
Lane Configurations	↔			↕	↕	
Traffic Vol, veh/h	52	5	7	34	32	47
Future Vol, veh/h	52	5	7	34	32	47
Conflicting Peds, #/hr	0	0	1	0	0	0
Sign Control	Stop	Stop	Free	Free	Free	Free
RT Channelized	-	None	-	None	-	None
Storage Length	0	-	-	-	-	-
Veh in Median Storage, #	0	-	-	0	0	-
Grade, %	0	-	-	0	0	-
Peak Hour Factor	94	94	94	94	94	94
Heavy Vehicles, %	10	2	2	2	7	4
Mvmt Flow	55	5	7	36	34	50

Major/Minor	Minor2	Major1	Major2
Conflicting Flow All	110	60	85
Stage 1	60	-	-
Stage 2	50	-	-
Critical Hdwy	6.5	6.22	4.12
Critical Hdwy Stg 1	5.5	-	-
Critical Hdwy Stg 2	5.5	-	-
Follow-up Hdwy	3.59	3.318	2.218
Pot Cap-1 Maneuver	868	1005	1512
Stage 1	943	-	-
Stage 2	952	-	-
Platoon blocked, %	-	-	-
Mov Cap-1 Maneuver	862	1004	1511
Mov Cap-2 Maneuver	862	-	-
Stage 1	937	-	-
Stage 2	951	-	-

Approach	EB	NB	SB
HCM Control Delay, s	9.4	1.3	0
HCM LOS	A		

Minor Lane/Major Mvmt	NBL	NBT	EBLn1	SBT	SBR
Capacity (veh/h)	1511	-	873	-	-
HCM Lane V/C Ratio	0.005	-	0.069	-	-
HCM Control Delay (s)	7.4	0	9.4	-	-
HCM Lane LOS	A	A	A	-	-
HCM 95th %tile Q(veh)	0	-	0.2	-	-

# Appendix G

2027 Future Total Synchro and Sidra Worksheets



## MOVEMENT SUMMARY

Site: 101 [Ottawa/CR49 & Appleton/Ramsay FT2027 AM (Site Folder: General)]

New Site  
Site Category: (None)  
Roundabout

Vehicle Movement Performance														
Mov ID	Turn	INPUT VOLUMES		DEMAND FLOWS		Deg. Satn	Aver. Delay	Level of Service	95% BACK OF QUEUE		Prop. Que	Effective Stop Rate	Aver. No. Cycles	Aver. Speed km/h
		[ Total veh/h	HV %	[ Total veh/h	HV %				[ Veh. veh	Dist ] m				
South: Appleton														
1	L2	83	2.0	91	2.0	0.219	9.2	LOS A	0.9	6.4	0.46	0.64	0.46	48.5
2	T1	7	2.0	8	2.0	0.219	3.7	LOS A	0.9	6.4	0.46	0.64	0.46	47.9
3	R2	106	2.0	116	2.0	0.219	4.0	LOS A	0.9	6.4	0.46	0.64	0.46	46.5
Approach		196	2.0	215	2.0	0.219	6.2	LOS A	0.9	6.4	0.46	0.64	0.46	47.4
East: CR 49														
4	L2	15	2.0	16	2.0	0.133	7.9	LOS A	0.7	5.3	0.28	0.32	0.28	49.9
5	T1	295	2.0	324	2.0	0.133	2.4	LOS A	0.8	5.4	0.27	0.31	0.27	49.4
6	R2	56	2.0	62	2.0	0.133	2.8	LOS A	0.8	5.4	0.26	0.30	0.26	48.0
Approach		366	2.0	402	2.0	0.133	2.7	LOS A	0.8	5.4	0.27	0.31	0.27	49.2
North: Ramsay														
7	L2	26	2.0	29	2.0	0.060	8.9	LOS A	0.2	1.6	0.41	0.57	0.41	48.4
8	T1	11	2.0	12	2.0	0.060	3.4	LOS A	0.2	1.6	0.41	0.57	0.41	47.8
9	R2	17	2.0	19	2.0	0.060	3.7	LOS A	0.2	1.6	0.41	0.57	0.41	46.4
Approach		54	2.0	59	2.0	0.060	6.1	LOS A	0.2	1.6	0.41	0.57	0.41	47.6
West: Ottawa														
10	L2	8	2.0	9	2.0	0.153	7.7	LOS A	0.9	6.1	0.19	0.28	0.19	50.4
11	T1	384	2.0	422	2.0	0.153	2.2	LOS A	0.9	6.1	0.19	0.28	0.19	49.8
12	R2	53	2.0	58	2.0	0.153	2.7	LOS A	0.9	6.1	0.18	0.27	0.18	48.4
Approach		445	2.0	489	2.0	0.153	2.4	LOS A	0.9	6.1	0.19	0.28	0.19	49.7
All Vehicles		1061	2.0	1166	2.0	0.219	3.4	LOS A	0.9	6.4	0.28	0.37	0.28	49.0

Site Level of Service (LOS) Method: Delay (SIDRA). Site LOS Method is specified in the Parameter Settings dialog (Site tab).  
 Roundabout LOS Method: SIDRA Roundabout LOS.  
 Vehicle movement LOS values are based on average delay per movement.  
 Intersection and Approach LOS values are based on average delay for all vehicle movements.  
 Roundabout Capacity Model: SIDRA Standard.  
 Delay Model: SIDRA Standard (Geometric Delay is included).  
 Queue Model: SIDRA Standard.  
 Gap-Acceptance Capacity: SIDRA Standard (Akçelik M3D).  
 HV (%) values are calculated for All Movement Classes of All Heavy Vehicle Model Designation.

## MOVEMENT SUMMARY

Site: 101 [Ottawa/CR49 & Appleton/Ramsay FT2027 PM (Site Folder: General)]

New Site  
Site Category: (None)  
Roundabout

Vehicle Movement Performance														
Mov ID	Turn	INPUT VOLUMES		DEMAND FLOWS		Deg. Satn	Aver. Delay	Level of Service	95% BACK OF QUEUE		Prop. Que	Effective Stop Rate	Aver. No. Cycles	Aver. Speed km/h
		[ Total veh/h	HV %	[ Total veh/h	HV %				[ Veh. veh	Dist ] m				
South: Appleton														
1	L2	96	2.0	99	2.0	0.196	9.0	LOS A	0.8	5.9	0.46	0.63	0.46	48.2
2	T1	12	2.0	12	2.0	0.196	3.5	LOS A	0.8	5.9	0.46	0.63	0.46	47.6
3	R2	80	2.0	82	2.0	0.196	3.8	LOS A	0.8	5.9	0.46	0.63	0.46	46.3
Approach		188	2.0	194	2.0	0.196	6.4	LOS A	0.8	5.9	0.46	0.63	0.46	47.3
East: CR 49														
4	L2	127	2.0	131	2.0	0.270	8.1	LOS A	1.7	12.1	0.34	0.43	0.34	48.9
5	T1	608	2.0	627	2.0	0.270	2.6	LOS A	1.8	12.5	0.33	0.35	0.33	48.9
6	R2	46	2.0	47	2.0	0.270	3.0	LOS A	1.8	12.5	0.32	0.30	0.32	47.8
Approach		781	2.0	805	2.0	0.270	3.5	LOS A	1.8	12.5	0.33	0.36	0.33	48.9
North: Ramsay														
7	L2	19	2.0	20	2.0	0.065	9.9	LOS A	0.2	1.8	0.55	0.65	0.55	48.2
8	T1	15	2.0	15	2.0	0.065	4.4	LOS A	0.2	1.8	0.55	0.65	0.55	47.6
9	R2	17	2.0	18	2.0	0.065	4.7	LOS A	0.2	1.8	0.55	0.65	0.55	46.2
Approach		51	2.0	53	2.0	0.065	6.5	LOS A	0.2	1.8	0.55	0.65	0.55	47.3
West: Ottawa														
10	L2	17	2.0	18	2.0	0.173	8.2	LOS A	1.0	6.9	0.35	0.35	0.35	49.6
11	T1	364	2.0	375	2.0	0.173	2.7	LOS A	1.0	7.1	0.34	0.34	0.34	49.2
12	R2	105	2.0	108	2.0	0.173	3.0	LOS A	1.0	7.1	0.33	0.34	0.33	47.8
Approach		486	2.0	501	2.0	0.173	2.9	LOS A	1.0	7.1	0.34	0.34	0.34	48.9
All Vehicles		1506	2.0	1553	2.0	0.270	3.8	LOS A	1.8	12.5	0.36	0.40	0.36	48.6

Site Level of Service (LOS) Method: Delay (SIDRA). Site LOS Method is specified in the Parameter Settings dialog (Site tab).  
 Roundabout LOS Method: SIDRA Roundabout LOS.  
 Vehicle movement LOS values are based on average delay per movement.  
 Intersection and Approach LOS values are based on average delay for all vehicle movements.  
 Roundabout Capacity Model: SIDRA Standard.  
 Delay Model: SIDRA Standard (Geometric Delay is included).  
 Queue Model: SIDRA Standard.  
 Gap-Acceptance Capacity: SIDRA Standard (Akçelik M3D).  
 HV (%) values are calculated for All Movement Classes of All Heavy Vehicle Model Designation.

Lanes, Volumes, Timings

2: Paterson Street/Menzie Street & Ottawa Street

2027 Future Total

AM Peak Hour

Lane Group	EBL	EBT	EBR	WBL	WBT	WBR	NBL	NBT	NBR	SBL	SBT	SBR
Lane Configurations		↔		↔	↔	↔		↔		↔		↔
Traffic Volume (vph)	1	561	86	57	435	3	128	9	92	2	14	6
Future Volume (vph)	1	561	86	57	435	3	128	9	92	2	14	6
Satd. Flow (prot)	0	1651	0	1626	1664	1483	0	1535	0	0	1660	0
Fit Permitted				0.378				0.814			0.972	
Satd. Flow (perm)	0	1651	0	647	1664	1439	0	1271	0	0	1620	0
Satd. Flow (RTOR)		14				36		38			6	
Lane Group Flow (vph)	0	696	0	61	468	3	0	247	0	0	23	0
Turn Type	Perm	NA	Perm	NA	Perm	Perm	NA	Perm	NA	Perm	NA	
Protected Phases		2		6		6	8		8		4	4
Permitted Phases	2		6		6	8		8		4		4
Detector Phase	2	2	6	6	6	8	8	8	8	4	4	4
Switch Phase												
Minimum Initial (s)	10.0	10.0	10.0	10.0	10.0	10.0	10.0	10.0	10.0	10.0	10.0	10.0
Minimum Split (s)	26.3	26.3	26.3	26.3	26.3	26.3	31.0	31.0	31.0	31.0	31.0	31.0
Total Split (s)	58.0	58.0	58.0	58.0	58.0	58.0	32.0	32.0	32.0	32.0	32.0	32.0
Total Split (%)	64.4%	64.4%	64.4%	64.4%	64.4%	64.4%	35.6%	35.6%	35.6%	35.6%	35.6%	35.6%
Maximum Green (s)	51.7	51.7	51.7	51.7	51.7	51.7	26.0	26.0	26.0	26.0	26.0	26.0
Yellow Time (s)	3.7	3.7	3.7	3.7	3.7	3.7	3.3	3.3	3.3	3.3	3.3	3.3
All-Red Time (s)	2.6	2.6	2.6	2.6	2.6	2.6	2.7	2.7	2.7	2.7	2.7	2.7
Lost Time Adjust (s)		0.0		0.0	0.0	0.0		0.0			0.0	
Total Lost Time (s)		6.3		6.3	6.3	6.3		6.0			6.0	
Lead/Lag												
Lead-Lag Optimize?												
Vehicle Extension (s)	3.0	3.0	3.0	3.0	3.0	3.0	3.0	3.0	3.0	3.0	3.0	3.0
Recall Mode	Max	Max	Max	Max	Max	Max	None	None	None	None	None	None
Walk Time (s)	7.0	7.0	7.0	7.0	7.0	7.0	7.0	7.0	7.0	7.0	7.0	7.0
Flash Dont Walk (s)	13.0	13.0	13.0	13.0	13.0	13.0	18.0	18.0	18.0	18.0	18.0	18.0
Pedestrian Calls (#/hr)	1	1	4	4	4	4	2	2	2	10	10	10
Act Effct Green (s)		53.2		53.2	53.2	53.2		18.7			18.7	
Actuated g/C Ratio		0.63		0.63	0.63	0.63		0.22			0.22	
v/c Ratio		0.66		0.15	0.45	0.00		0.79			0.06	
Control Delay		14.9		9.1	10.7	0.0		44.3			19.8	
Queue Delay		0.0		0.0	0.0	0.0		0.0			0.0	
Total Delay		14.9		9.1	10.7	0.0		44.3			19.8	
LOS		B		A	B	A		D			B	
Approach Delay		14.9		10.5				44.3			19.8	
Approach LOS		B		B				D			B	
Queue Length 50th (m)		62.6		3.6	34.8	0.0		31.2			2.1	
Queue Length 95th (m)		123.9		10.9	68.2	0.0		56.7			7.6	
Internal Link Dist (m)		113.0			108.0			153.2			106.0	
Turn Bay Length (m)						30.0						
Base Capacity (vph)		1048		409	1051	922		419			505	
Starvation Cap Reductn		0		0	0	0		0			0	
Spillback Cap Reductn		0		0	0	0		0			0	
Storage Cap Reductn		0		0	0	0		0			0	
Reduced v/c Ratio		0.66		0.15	0.45	0.00		0.59			0.05	
<b>Intersection Summary</b>												

Lanes, Volumes, Timings

2: Paterson Street/Menzie Street & Ottawa Street

2027 Future Total

AM Peak Hour

Cycle Length: 90
Actuated Cycle Length: 84.2
Natural Cycle: 70
Control Type: Semi Act-Uncoord
Maximum v/c Ratio: 0.79
Intersection Signal Delay: 18.2
Intersection Capacity Utilization 83.4%
Analysis Period (min) 15
Intersection LOS: B
ICU Level of Service E

Split and Phases: 2: Paterson Street/Menzie Street & Ottawa Street



HCM 2010 TWSC  
3: Appleton Side Road (Country Road 17) & Industrial Drive

2027 Future Total  
AM Peak Hour

Intersection						
Int Delay, s/veh	1.6					
Movement	EBL	EBR	NBL	NBT	SBT	SBR
Lane Configurations	↔			↕	↕	
Traffic Vol, veh/h	14	20	26	159	100	15
Future Vol, veh/h	14	20	26	159	100	15
Conflicting Peds, #/hr	0	0	0	0	0	0
Sign Control	Stop	Stop	Free	Free	Free	Free
RT Channelized	-	None	-	None	-	None
Storage Length	0	-	-	-	-	-
Veh in Median Storage, #	0	-	-	0	0	-
Grade, %	0	-	-	0	0	-
Peak Hour Factor	86	86	86	86	86	86
Heavy Vehicles, %	21	2	4	9	10	2
Mvmt Flow	16	23	30	185	116	17

Major/Minor	Minor2	Major1	Major2
Conflicting Flow All	370	125	133
Stage 1	125	-	-
Stage 2	245	-	-
Critical Hdwy	6.61	6.22	4.14
Critical Hdwy Stg 1	5.61	-	-
Critical Hdwy Stg 2	5.61	-	-
Follow-up Hdwy	3.689	3.318	2.236
Pot Cap-1 Maneuver	594	926	1440
Stage 1	856	-	-
Stage 2	753	-	-
Platoon blocked, %	-	-	-
Mov Cap-1 Maneuver	580	926	1440
Mov Cap-2 Maneuver	580	-	-
Stage 1	836	-	-
Stage 2	753	-	-

Approach	EB	NB	SB
HCM Control Delay, s	10.1	1.1	0
HCM LOS	B		

Minor Lane/Major Mvmt	NBL	NBT	EBLn1	SBT	SBR
Capacity (veh/h)	1440	-	743	-	-
HCM Lane V/C Ratio	0.021	-	0.053	-	-
HCM Control Delay (s)	7.6	0	10.1	-	-
HCM Lane LOS	A	A	B	-	-
HCM 95th %tile Q(veh)	0.1	-	0.2	-	-

HCM 2010 TWSC  
4: Paterson Street & Jack Dalgity Street/Access #1

2027 Future Total  
AM Peak Hour

Intersection												
Int Delay, s/veh	5.9											
Movement	EBL	EBT	EBR	WBL	WBT	WBR	NBL	NBT	NBR	SBL	SBT	SBR
Lane Configurations		↕			↕			↕			↕	
Traffic Vol, veh/h	37	0	11	9	0	53	10	20	3	20	25	17
Future Vol, veh/h	37	0	11	9	0	53	10	20	3	20	25	17
Conflicting Peds, #/hr	0	0	0	0	0	0	0	0	0	0	0	0
Sign Control	Stop	Stop	Stop	Stop	Stop	Stop	Free	Free	Free	Free	Free	Free
RT Channelized	-	-	None	-	-	None	-	-	None	-	-	None
Storage Length	-	-	-	-	-	-	-	-	-	-	-	-
Veh in Median Storage, #	-	0	-	-	0	-	-	0	-	-	0	-
Grade, %	-	0	-	-	0	-	-	0	-	-	0	-
Peak Hour Factor	71	93	71	93	93	93	71	71	93	93	71	71
Heavy Vehicles, %	3	2	45	2	2	2	30	2	2	2	6	6
Mvmt Flow	52	0	15	10	0	57	14	28	3	22	35	24

Major/Minor	Minor2	Minor1	Major1	Major2
Conflicting Flow All	177	150	47	157
Stage 1	91	91	-	58
Stage 2	86	59	-	98
Critical Hdwy	7.13	6.52	6.65	7.12
Critical Hdwy Stg 1	6.13	5.52	-	6.12
Critical Hdwy Stg 2	6.13	5.52	-	6.12
Follow-up Hdwy	3.527	4.018	3.705	3.518
Pot Cap-1 Maneuver	783	742	913	809
Stage 1	914	820	-	954
Stage 2	919	846	-	907
Platoon blocked, %	-	-	-	-
Mov Cap-1 Maneuver	727	724	913	781
Mov Cap-2 Maneuver	727	724	-	781
Stage 1	905	809	-	944
Stage 2	860	838	-	879

Approach	EB	WB	NB	SB
HCM Control Delay, s	10.2	8.9	2.4	1.9
HCM LOS	B	A		

Minor Lane/Major Mvmt	NBL	NBT	NBR	EBLn1	WBLn1	SBL	SBT	SBR
Capacity (veh/h)	1384	-	-	763	995	1582	-	-
HCM Lane V/C Ratio	0.01	-	-	0.089	0.067	0.014	-	-
HCM Control Delay (s)	7.6	0	-	10.2	8.9	7.3	0	-
HCM Lane LOS	A	A	-	B	A	A	A	-
HCM 95th %tile Q(veh)	0	-	-	0.3	0.2	0	-	-

HCM 2010 TWSC  
5: Appleton Side Road (Country Road 17)

2027 Future Total  
AM Peak Hour

Intersection						
Int Delay, s/veh	3.8					
Movement	EBL	EBR	NBL	NBT	SBT	SBR
Lane Configurations	↔		↕		↕	
Traffic Vol, veh/h	98	18	7	87	84	36
Future Vol, veh/h	98	18	7	87	84	36
Conflicting Peds, #/hr	0	0	0	0	0	0
Sign Control	Stop	Stop	Free	Free	Free	Free
RT Channelized	-	None	-	None	-	None
Storage Length	0	-	-	-	-	-
Veh in Median Storage, #	0	-	-	0	0	-
Grade, %	0	-	-	0	0	-
Peak Hour Factor	93	93	93	93	93	93
Heavy Vehicles, %	2	2	2	2	2	2
Mvmt Flow	105	19	8	94	90	39
Major/Minor	Minor2	Major1	Major2			
Conflicting Flow All	220	110	129	0	-	0
Stage 1	110	-	-	-	-	-
Stage 2	110	-	-	-	-	-
Critical Hdwy	6.42	6.22	4.12	-	-	-
Critical Hdwy Stg 1	5.42	-	-	-	-	-
Critical Hdwy Stg 2	5.42	-	-	-	-	-
Follow-up Hdwy	3.518	3.318	2.218	-	-	-
Pot Cap-1 Maneuver	768	943	1457	-	-	-
Stage 1	915	-	-	-	-	-
Stage 2	915	-	-	-	-	-
Platoon blocked, %	-	-	-	-	-	-
Mov Cap-1 Maneuver	763	943	1457	-	-	-
Mov Cap-2 Maneuver	763	-	-	-	-	-
Stage 1	910	-	-	-	-	-
Stage 2	915	-	-	-	-	-
Approach	EB	NB	SB			
HCM Control Delay, s	10.4	0.6	0			
HCM LOS	B					
Minor Lane/Major Mvmt	NBL	NBT	EBLn1	SBT	SBR	
Capacity (veh/h)	1457	-	786	-	-	
HCM Lane V/C Ratio	0.005	-	0.159	-	-	
HCM Control Delay (s)	7.5	0	10.4	-	-	
HCM Lane LOS	A	A	B	-	-	
HCM 95th %tile Q(veh)	0	-	0.6	-	-	

Lanes, Volumes, Timings  
2: Paterson Street/Menzie Street & Ottawa Street

2027 Future Total  
PM Peak Hour

Lane Group	EBL	EBT	EBR	WBL	WBT	WBR	NBL	NBT	NBR	SBL	SBT	SBR
Lane Configurations		↔		↕	↕	↕		↕			↕	
Traffic Volume (vph)	4	587	99	75	822	11	123	8	75	7	3	5
Future Volume (vph)	4	587	99	75	822	11	123	8	75	7	3	5
Satd. Flow (prot)	0	1685	0	1658	1728	1483	0	1603	0	0	1608	0
Fit Permitted		0.996		0.286				0.808			0.874	
Satd. Flow (perm)	0	1678	0	499	1728	1438	0	1323	0	0	1438	0
Satd. Flow (RTOR)		12				36		32			5	
Lane Group Flow (vph)	0	726	0	79	865	12	0	216	0	0	15	0
Turn Type	Perm	NA		pm+pt	NA	Perm	Perm	NA		Perm	NA	
Protected Phases		2		1	6			8			4	
Permitted Phases	2			6		6	8				4	
Detector Phase	2	2		1	6	6	8	8			4	4
Switch Phase												
Minimum Initial (s)	10.0	10.0		5.0	10.0	10.0	10.0	10.0		10.0	10.0	
Minimum Split (s)	26.3	26.3		11.3	26.3	26.3	31.0	31.0		31.0	31.0	
Total Split (s)	47.7	47.7		11.3	59.0	59.0	31.0	31.0		31.0	31.0	
Total Split (%)	53.0%	53.0%		12.6%	65.6%	65.6%	34.4%	34.4%		34.4%	34.4%	
Yellow Time (s)	3.7	3.7		3.7	3.7	3.7	3.3	3.3		3.3	3.3	
All-Red Time (s)	2.6	2.6		2.6	2.6	2.6	2.7	2.7		2.7	2.7	
Lost Time Adjust (s)		0.0		0.0	0.0	0.0		0.0			0.0	
Total Lost Time (s)		6.3		6.3	6.3	6.3		6.0			6.0	
Lead/Lag	Lag	Lag		Lead								
Lead-Lag Optimize?	Yes	Yes		Yes								
Recall Mode	Max	Max		None	Max	Max	None	None		None	None	
Act Effct Green (s)		45.7		54.8	54.8	54.8	31.0	16.9			16.9	
Actuated g/C Ratio		0.54		0.65	0.65	0.65		0.20			0.20	
v/c Ratio		0.79		0.20	0.77	0.01		0.74			0.05	
Control Delay		26.0		7.9	17.9	0.5		41.6			20.6	
Queue Delay		0.0		0.0	0.0	0.0		0.0			0.0	
Total Delay		26.0		7.9	17.9	0.5		41.6			20.6	
LOS		C		A	B	A		D			C	
Approach Delay		26.0			16.8			41.6			20.6	
Approach LOS		C			B			D			C	
Queue Length 50th (m)		91.0		4.0	84.1	0.0		26.9			1.3	
Queue Length 95th (m)		#187.2		11.3	#199.1	0.5		49.4			5.8	
Internal Link Dist (m)		113.0			108.0			153.2			106.0	
Turn Bay Length (m)						30.0						
Base Capacity (vph)		918		394	1126	950		416			431	
Starvation Cap Reductn		0		0	0	0		0			0	
Spillback Cap Reductn		0		0	0	0		0			0	
Storage Cap Reductn		0		0	0	0		0			0	
Reduced v/c Ratio		0.79		0.20	0.77	0.01		0.52			0.03	
Intersection Summary												
Cycle Length: 90												
Actuated Cycle Length: 84.1												
Natural Cycle: 90												
Control Type: Semi Act-Uncoord												
Maximum v/c Ratio: 0.79												

Lanes, Volumes, Timings  
 2: Paterson Street/Menzie Street & Ottawa Street

2027 Future Total  
 PM Peak Hour

Intersection Signal Delay: 23.2	Intersection LOS: C
Intersection Capacity Utilization 88.4%	ICU Level of Service E
Analysis Period (min) 15	
# 95th percentile volume exceeds capacity, queue may be longer.	
Queue shown is maximum after two cycles.	

Splits and Phases: 2: Paterson Street/Menzie Street & Ottawa Street



HCM 2010 TWSC  
 3: Appleton Side Road (Country Road 17) & Industrial Drive

2027 Future Total  
 PM Peak Hour

Intersection						
Int Delay, s/veh	1.4					
Movement	EBL	EBR	NBL	NBT	SBT	SBR
Lane Configurations	↔		↔		↔	
Traffic Vol, veh/h	13	21	35	147	222	27
Future Vol, veh/h	13	21	35	147	222	27
Conflicting Peds, #/hr	0	0	0	0	0	0
Sign Control	Stop	Stop	Free	Free	Free	Free
RT Channelized	-	None	-	None	-	None
Storage Length	0	-	-	-	-	-
Veh in Median Storage, #	0	-	-	0	0	-
Grade, %	0	-	-	0	0	-
Peak Hour Factor	96	96	96	96	96	96
Heavy Vehicles, %	2	5	3	7	12	4
Mvmt Flow	14	22	36	153	231	28
Major/Minor	Minor2	Major1	Major2			
Conflicting Flow All	470	245	259	0	-	0
Stage 1	245	-	-	-	-	-
Stage 2	225	-	-	-	-	-
Critical Hdwy	6.42	6.25	4.13	-	-	-
Critical Hdwy Stg 1	5.42	-	-	-	-	-
Critical Hdwy Stg 2	5.42	-	-	-	-	-
Follow-up Hdwy	3.518	3.345	2.227	-	-	-
Pot Cap-1 Maneuver	552	786	1300	-	-	-
Stage 1	796	-	-	-	-	-
Stage 2	812	-	-	-	-	-
Platoon blocked, %	-	-	-	-	-	-
Mov Cap-1 Maneuver	535	786	1300	-	-	-
Mov Cap-2 Maneuver	535	-	-	-	-	-
Stage 1	772	-	-	-	-	-
Stage 2	812	-	-	-	-	-
Approach	EB	NB	SB			
HCM Control Delay, s	10.7	1.5	0			
HCM LOS	B					
Minor Lane/Major Mvmt	NBL	NBT	EBLn1	SBT	SBR	
Capacity (veh/h)	1300	-	666	-	-	
HCM Lane V/C Ratio	0.028	-	0.053	-	-	
HCM Control Delay (s)	7.8	0	10.7	-	-	
HCM Lane LOS	A	A	B	-	-	
HCM 95th %tile Q(veh)	0.1	-	0.2	-	-	

HCM 2010 TWSC  
4: Paterson Street & Jack Dalgity Street/Access #1

2027 Future Total  
PM Peak Hour

Intersection												
Int Delay, s/veh	5.6											
Movement	EBL	EBT	EBR	WBL	WBT	WBR	NBL	NBT	NBR	SBL	SBT	SBR
Lane Configurations	↕			↕			↕			↕		
Traffic Vol, veh/h	52	0	5	6	0	36	7	22	10	58	23	47
Future Vol, veh/h	52	0	5	6	0	36	7	22	10	58	23	47
Conflicting Peds, #/hr	0	0	0	0	0	0	1	0	0	0	0	0
Sign Control	Stop	Stop	Stop	Stop	Stop	Stop	Free	Free	Free	Free	Free	Free
RT Channelized	-	-	None	-	-	None	-	-	None	-	-	None
Storage Length	-	-	-	-	-	-	-	-	-	-	-	-
Veh in Median Storage, #	-	0	-	-	0	-	-	0	-	-	0	-
Grade, %	-	0	-	-	0	-	-	0	-	-	0	-
Peak Hour Factor	94	93	94	93	93	93	94	94	93	93	94	94
Heavy Vehicles, %	10	2	2	2	2	2	2	2	2	2	7	4
Mvmt Flow	55	0	5	6	0	39	7	23	11	62	24	50

Major/Minor	Minor2	Minor1	Major1	Major2
Conflicting Flow All	236	222	50	219
Stage 1	174	174	-	43
Stage 2	62	48	-	176
Critical Hdwy	7.2	6.52	6.22	7.12
Critical Hdwy Stg 1	6.2	5.52	-	6.12
Critical Hdwy Stg 2	6.2	5.52	-	6.12
Follow-up Hdwy	3.59	4.018	3.318	3.518
Pot Cap-1 Maneuver	702	677	1018	737
Stage 1	809	755	-	971
Stage 2	929	855	-	826
Platoon blocked, %	-	-	-	-
Mov Cap-1 Maneuver	652	645	1017	708
Mov Cap-2 Maneuver	652	645	-	708
Stage 1	804	723	-	966
Stage 2	890	851	-	788

Approach	EB	WB	NB	SB
HCM Control Delay, s	10.9	8.9	1.3	3.4
HCM LOS	B	A		

Minor Lane/Major Mvmt	NBL	NBT	NBR	EBLn1	WBLn1	SBL	SBT	SBR
Capacity (veh/h)	1523	-	-	673	979	1578	-	-
HCM Lane V/C Ratio	0.005	-	-	0.09	0.046	0.04	-	-
HCM Control Delay (s)	7.4	0	-	10.9	8.9	7.4	0	-
HCM Lane LOS	A	A	-	B	A	A	A	-
HCM 95th %tile Q(veh)	0	-	-	0.3	0.1	0.1	-	-

HCM 2010 TWSC  
5: Appleton Side Road (Country Road 17) & Access #2

2027 Future Total  
PM Peak Hour

Intersection						
Int Delay, s/veh	2.3					
Movement	EBL	EBR	NBL	NBT	SBT	SBR
Lane Configurations	↕		↕		↕	
Traffic Vol, veh/h	67	12	19	115	137	106
Future Vol, veh/h	67	12	19	115	137	106
Conflicting Peds, #/hr	0	0	0	0	0	0
Sign Control	Stop	Stop	Free	Free	Free	Free
RT Channelized	-	None	-	None	-	None
Storage Length	0	-	-	-	-	-
Veh in Median Storage, #	0	-	-	0	0	-
Grade, %	0	-	-	0	0	-
Peak Hour Factor	93	93	93	93	93	93
Heavy Vehicles, %	2	2	2	2	2	2
Mvmt Flow	72	13	20	124	147	114

Major/Minor	Minor2	Major1	Major2
Conflicting Flow All	368	204	261
Stage 1	204	-	-
Stage 2	164	-	-
Critical Hdwy	6.42	6.22	4.12
Critical Hdwy Stg 1	5.42	-	-
Critical Hdwy Stg 2	5.42	-	-
Follow-up Hdwy	3.518	3.318	2.218
Pot Cap-1 Maneuver	632	837	1303
Stage 1	830	-	-
Stage 2	865	-	-
Platoon blocked, %	-	-	-
Mov Cap-1 Maneuver	622	837	1303
Mov Cap-2 Maneuver	622	-	-
Stage 1	817	-	-
Stage 2	865	-	-

Approach	EB	NB	SB
HCM Control Delay, s	11.4	1.1	0
HCM LOS	B		

Minor Lane/Major Mvmt	NBL	NBT	EBLn1	SBT	SBR
Capacity (veh/h)	1303	-	647	-	-
HCM Lane V/C Ratio	0.016	-	0.131	-	-
HCM Control Delay (s)	7.8	0	11.4	-	-
HCM Lane LOS	A	A	B	-	-
HCM 95th %tile Q(veh)	0	-	0.5	-	-

# Appendix H

2032 Future Total Synchro and Sidra Worksheets

## MOVEMENT SUMMARY

Site: 101 [Ottawa/CR49 & Appleton/Ramsay FT2032 AM (Site Folder: General)]

New Site  
Site Category: (None)  
Roundabout

Vehicle Movement Performance														
Mov ID	Turn	INPUT VOLUMES		DEMAND FLOWS		Deg. Satn	Aver. Delay	Level of Service	95% BACK OF QUEUE		Prop. Que	Effective Stop Rate	Aver. No. Cycles	Aver. Speed km/h
		[ Total veh/h	HV %	[ Total veh/h	HV %				[ Veh. veh	Dist. m				
South: Appleton														
1	L2	87	2.0	96	2.0	0.233	9.3	LOS A	1.0	7.0	0.49	0.66	0.49	48.4
2	T1	7	2.0	8	2.0	0.233	3.8	LOS A	1.0	7.0	0.49	0.66	0.49	47.8
3	R2	110	2.0	121	2.0	0.233	4.1	LOS A	1.0	7.0	0.49	0.66	0.49	46.4
Approach		204	2.0	224	2.0	0.233	6.3	LOS A	1.0	7.0	0.49	0.66	0.49	47.3
East: CR 49														
4	L2	59	2.0	65	2.0	0.143	7.9	LOS A	0.8	5.8	0.29	0.41	0.29	49.2
5	T1	318	2.0	349	2.0	0.143	2.4	LOS A	0.8	6.0	0.28	0.33	0.28	49.2
6	R2	15	2.0	16	2.0	0.143	2.8	LOS A	0.8	6.0	0.27	0.28	0.27	48.0
Approach		392	2.0	431	2.0	0.143	3.3	LOS A	0.8	6.0	0.28	0.34	0.28	49.1
North: Ramsay														
7	L2	26	2.0	29	2.0	0.062	9.0	LOS A	0.2	1.7	0.44	0.59	0.44	48.3
8	T1	11	2.0	12	2.0	0.062	3.6	LOS A	0.2	1.7	0.44	0.59	0.44	47.7
9	R2	17	2.0	19	2.0	0.062	3.9	LOS A	0.2	1.7	0.44	0.59	0.44	46.4
Approach		54	2.0	59	2.0	0.062	6.3	LOS A	0.2	1.7	0.44	0.59	0.44	47.6
West: Ottawa														
10	L2	8	2.0	9	2.0	0.172	7.9	LOS A	0.9	6.6	0.27	0.30	0.27	50.1
11	T1	413	2.0	454	2.0	0.172	2.4	LOS A	0.9	6.7	0.26	0.30	0.26	49.5
12	R2	56	2.0	62	2.0	0.172	2.8	LOS A	0.9	6.7	0.25	0.29	0.25	48.1
Approach		477	2.0	524	2.0	0.172	2.6	LOS A	0.9	6.7	0.26	0.30	0.26	49.4
All Vehicles		1127	2.0	1238	2.0	0.233	3.7	LOS A	1.0	7.0	0.32	0.39	0.32	48.8

Site Level of Service (LOS) Method: Delay (SIDRA). Site LOS Method is specified in the Parameter Settings dialog (Site tab).  
 Roundabout LOS Method: SIDRA Roundabout LOS.  
 Vehicle movement LOS values are based on average delay per movement.  
 Intersection and Approach LOS values are based on average delay for all vehicle movements.  
 Roundabout Capacity Model: SIDRA Standard.  
 Delay Model: SIDRA Standard (Geometric Delay is included).  
 Queue Model: SIDRA Standard.  
 Gap-Acceptance Capacity: SIDRA Standard (Akçelik M3D).  
 HV (%) values are calculated for All Movement Classes of All Heavy Vehicle Model Designation.

## MOVEMENT SUMMARY

Site: 101 [Ottawa/CR49 & Appleton/Ramsay FT2032 PM (Site Folder: General)]

New Site  
Site Category: (None)  
Roundabout

Vehicle Movement Performance														
Mov ID	Turn	INPUT VOLUMES		DEMAND FLOWS		Deg. Satn	Aver. Delay	Level of Service	95% BACK OF QUEUE		Prop. Que	Effective Stop Rate	Aver. No. Cycles	Aver. Speed km/h
		[ Total veh/h	HV %	[ Total veh/h	HV %				[ Veh. veh	Dist. m				
South: Appleton														
1	L2	102	2.0	105	2.0	0.209	9.1	LOS A	0.9	6.4	0.47	0.65	0.47	48.1
2	T1	12	2.0	12	2.0	0.209	3.6	LOS A	0.9	6.4	0.47	0.65	0.47	47.5
3	R2	83	2.0	86	2.0	0.209	3.9	LOS A	0.9	6.4	0.47	0.65	0.47	46.2
Approach		197	2.0	203	2.0	0.209	6.6	LOS A	0.9	6.4	0.47	0.65	0.47	47.3
East: CR 49														
4	L2	132	2.0	136	2.0	0.290	8.1	LOS A	1.9	13.3	0.36	0.43	0.36	48.9
5	T1	654	2.0	674	2.0	0.290	2.6	LOS A	1.9	13.7	0.35	0.35	0.35	48.9
6	R2	46	2.0	47	2.0	0.290	3.0	LOS A	1.9	13.7	0.34	0.30	0.34	47.8
Approach		832	2.0	858	2.0	0.290	3.5	LOS A	1.9	13.7	0.35	0.36	0.35	48.8
North: Ramsay														
7	L2	19	2.0	20	2.0	0.067	10.0	LOS B	0.3	1.8	0.56	0.67	0.56	48.1
8	T1	15	2.0	15	2.0	0.067	4.6	LOS A	0.3	1.8	0.56	0.67	0.56	47.5
9	R2	17	2.0	18	2.0	0.067	4.8	LOS A	0.3	1.8	0.56	0.67	0.56	46.2
Approach		51	2.0	53	2.0	0.067	6.7	LOS A	0.3	1.8	0.56	0.67	0.56	47.3
West: Ottawa														
10	L2	17	2.0	18	2.0	0.186	8.2	LOS A	1.0	7.5	0.36	0.35	0.36	49.6
11	T1	391	2.0	403	2.0	0.186	2.7	LOS A	1.1	7.7	0.35	0.35	0.35	49.1
12	R2	110	2.0	113	2.0	0.186	3.1	LOS A	1.1	7.7	0.34	0.34	0.34	47.8
Approach		518	2.0	534	2.0	0.186	3.0	LOS A	1.1	7.7	0.35	0.35	0.35	48.8
All Vehicles		1598	2.0	1647	2.0	0.290	3.8	LOS A	1.9	13.7	0.37	0.40	0.37	48.6

Site Level of Service (LOS) Method: Delay (SIDRA). Site LOS Method is specified in the Parameter Settings dialog (Site tab).  
 Roundabout LOS Method: SIDRA Roundabout LOS.  
 Vehicle movement LOS values are based on average delay per movement.  
 Intersection and Approach LOS values are based on average delay for all vehicle movements.  
 Roundabout Capacity Model: SIDRA Standard.  
 Delay Model: SIDRA Standard (Geometric Delay is included).  
 Queue Model: SIDRA Standard.  
 Gap-Acceptance Capacity: SIDRA Standard (Akçelik M3D).  
 HV (%) values are calculated for All Movement Classes of All Heavy Vehicle Model Designation.



Lanes, Volumes, Timings

2: Paterson Street/Menzie Street & Ottawa Street

2032 Future Total

AM Peak Hour

Lane Group	EBL	EBT	EBR	WBL	WBT	WBR	NBL	NBT	NBR	SBL	SBT	SBR
Lane Configurations		↔		↔	↔	↔		↔		↔		↔
Traffic Volume (vph)	1	604	91	61	465	3	134	9	98	2	14	6
Future Volume (vph)	1	604	91	61	465	3	134	9	98	2	14	6
Satd. Flow (prot)	0	1651	0	1626	1664	1483	0	1533	0	0	1660	0
Fit Permitted			0.353					0.815			0.972	
Satd. Flow (perm)	0	1651	0	604	1664	1439	0	1272	0	0	1620	0
Satd. Flow (RTOR)		14				36		38			6	
Lane Group Flow (vph)	0	748	0	66	500	3	0	259	0	0	23	0
Turn Type	Perm	NA	Perm	NA	Perm	Perm	NA	Perm	NA	Perm	NA	
Protected Phases		2		6		6	8		8		4	4
Permitted Phases	2		6		6	8				4		
Detector Phase	2	2	6	6	6	8	8			4	4	
Switch Phase												
Minimum Initial (s)	10.0	10.0	10.0	10.0	10.0	10.0	10.0	10.0	10.0	10.0	10.0	10.0
Minimum Split (s)	26.3	26.3	26.3	26.3	26.3	26.3	31.0	31.0	31.0	31.0	31.0	31.0
Total Split (s)	58.0	58.0	58.0	58.0	58.0	58.0	32.0	32.0	32.0	32.0	32.0	32.0
Total Split (%)	64.4%	64.4%	64.4%	64.4%	64.4%	64.4%	35.6%	35.6%	35.6%	35.6%	35.6%	35.6%
Maximum Green (s)	51.7	51.7	51.7	51.7	51.7	51.7	26.0	26.0	26.0	26.0	26.0	26.0
Yellow Time (s)	3.7	3.7	3.7	3.7	3.7	3.7	3.3	3.3	3.3	3.3	3.3	3.3
All-Red Time (s)	2.6	2.6	2.6	2.6	2.6	2.6	2.7	2.7	2.7	2.7	2.7	2.7
Lost Time Adjust (s)		0.0	0.0	0.0	0.0	0.0	0.0	0.0	0.0	0.0	0.0	0.0
Total Lost Time (s)		6.3	6.3	6.3	6.3	6.3	6.0	6.0	6.0	6.0	6.0	6.0
Lead/Lag												
Lead-Lag Optimize?												
Vehicle Extension (s)	3.0	3.0	3.0	3.0	3.0	3.0	3.0	3.0	3.0	3.0	3.0	3.0
Recall Mode	Max	Max	Max	Max	Max	Max	None	None	None	None	None	None
Walk Time (s)	7.0	7.0	7.0	7.0	7.0	7.0	7.0	7.0	7.0	7.0	7.0	7.0
Flash Dont Walk (s)	13.0	13.0	13.0	13.0	13.0	13.0	18.0	18.0	18.0	18.0	18.0	18.0
Pedestrian Calls (#/hr)	1	1	4	4	4	4	2	2	2	10	10	10
Act Effct Green (s)		53.0		53.0	53.0	53.0		19.3			19.3	
Actuated g/C Ratio		0.63		0.63	0.63	0.63		0.23			0.23	
v/c Ratio		0.72		0.18	0.48	0.00		0.81			0.06	
Control Delay		17.1		9.8	11.5	0.0		45.8			19.7	
Queue Delay		0.0		0.0	0.0	0.0		0.0			0.0	
Total Delay		17.1		9.8	11.5	0.0		45.8			19.7	
LOS		B		A	B	A		D			B	
Approach Delay		17.1		11.2				45.8			19.7	
Approach LOS		B		B				D			B	
Queue Length 50th (m)		74.3		4.1	39.8	0.0		33.4			2.1	
Queue Length 95th (m)		142.7		12.0	74.6	0.0		59.8			7.6	
Internal Link Dist (m)		113.0			108.0			153.2			106.0	
Turn Bay Length (m)						30.0						
Base Capacity (vph)		1038		377	1041	914		418			503	
Starvation Cap Reductn		0		0	0	0		0			0	
Spillback Cap Reductn		0		0	0	0		0			0	
Storage Cap Reductn		0		0	0	0		0			0	
Reduced v/c Ratio		0.72		0.18	0.48	0.00		0.62			0.05	

Intersection Summary

Lanes, Volumes, Timings

2: Paterson Street/Menzie Street & Ottawa Street

2032 Future Total

AM Peak Hour

Cycle Length: 90	
Actuated Cycle Length: 84.6	
Natural Cycle: 75	
Control Type: Semi Act-Uncoord	
Maximum v/c Ratio: 0.81	
Intersection Signal Delay: 19.7	Intersection LOS: B
Intersection Capacity Utilization 86.8%	ICU Level of Service E
Analysis Period (min) 15	

Split and Phases: 2: Paterson Street/Menzie Street & Ottawa Street



HCM 2010 TWSC  
3: Appleton Side Road (Country Road 17) & Industrial Drive

2032 Future Total  
AM Peak Hour

Intersection						
Int Delay, s/veh	1.6					
Movement	EBL	EBR	NBL	NBT	SBT	SBR
Lane Configurations	↔			↕	↕	
Traffic Vol, veh/h	14	20	26	167	106	15
Future Vol, veh/h	14	20	26	167	106	15
Conflicting Peds, #/hr	0	0	0	0	0	0
Sign Control	Stop	Stop	Free	Free	Free	Free
RT Channelized	-	None	-	None	-	None
Storage Length	0	-	-	-	-	-
Veh in Median Storage, #	0	-	-	0	0	-
Grade, %	0	-	-	0	0	-
Peak Hour Factor	86	86	86	86	86	86
Heavy Vehicles, %	21	2	4	9	10	2
Mvmt Flow	16	23	30	194	123	17

Major/Minor	Minor2	Major1	Major2
Conflicting Flow All	386	132	140
Stage 1	132	-	-
Stage 2	254	-	-
Critical Hdwy	6.61	6.22	4.14
Critical Hdwy Stg 1	5.61	-	-
Critical Hdwy Stg 2	5.61	-	-
Follow-up Hdwy	3.689	3.318	2.236
Pot Cap-1 Maneuver	582	917	1431
Stage 1	849	-	-
Stage 2	746	-	-
Platoon blocked, %	-	-	-
Mov Cap-1 Maneuver	569	917	1431
Mov Cap-2 Maneuver	569	-	-
Stage 1	829	-	-
Stage 2	746	-	-

Approach	EB	NB	SB
HCM Control Delay, s	10.2	1	0
HCM LOS	B		

Minor Lane/Major Mvmt	NBL	NBT	EBLn1	SBT	SBR
Capacity (veh/h)	1431	-	733	-	-
HCM Lane V/C Ratio	0.021	-	0.054	-	-
HCM Control Delay (s)	7.6	0	10.2	-	-
HCM Lane LOS	A	A	B	-	-
HCM 95th %tile Q(veh)	0.1	-	0.2	-	-

HCM 2010 TWSC  
4: Paterson Street & Jack Dalgity Street/Access #1

2032 Future Total  
AM Peak Hour

Intersection												
Int Delay, s/veh	5.4											
Movement	EBL	EBT	EBR	WBL	WBT	WBR	NBL	NBT	NBR	SBL	SBT	SBR
Lane Configurations		↕			↕			↕			↕	
Traffic Vol, veh/h	37	0	11	9	0	53	10	32	3	20	34	17
Future Vol, veh/h	37	0	11	9	0	53	10	32	3	20	34	17
Conflicting Peds, #/hr	0	0	0	0	0	0	0	0	0	0	0	0
Sign Control	Stop	Stop	Stop	Stop	Stop	Stop	Free	Free	Free	Free	Free	Free
RT Channelized	-	-	None	-	-	None	-	-	None	-	-	None
Storage Length	-	-	-	-	-	-	-	-	-	-	-	-
Veh in Median Storage, #	-	0	-	-	0	-	-	0	-	-	0	-
Grade, %	-	0	-	-	0	-	-	0	-	-	0	-
Peak Hour Factor	71	93	71	93	93	93	71	71	93	93	71	71
Heavy Vehicles, %	3	2	45	2	2	2	30	2	2	2	6	6
Mvmt Flow	52	0	15	10	0	57	14	45	3	22	48	24

Major/Minor	Minor2	Minor1	Major1	Major2
Conflicting Flow All	207	180	60	187
Stage 1	104	104	-	75
Stage 2	103	76	-	112
Critical Hdwy	7.13	6.52	6.65	7.12
Critical Hdwy Stg 1	6.13	5.52	-	6.12
Critical Hdwy Stg 2	6.13	5.52	-	6.12
Follow-up Hdwy	3.527	4.018	3.705	3.518
Pot Cap-1 Maneuver	748	714	897	774
Stage 1	899	809	-	934
Stage 2	900	832	-	893
Platoon blocked, %	-	-	-	-
Mov Cap-1 Maneuver	693	695	897	745
Mov Cap-2 Maneuver	693	695	-	745
Stage 1	889	797	-	924
Stage 2	840	823	-	864

Approach	EB	WB	NB	SB
HCM Control Delay, s	10.4	9	1.7	1.7
HCM LOS	B	A		

Minor Lane/Major Mvmt	NBL	NBT	NBR	EBLn1	WBLn1	SBL	SBT	SBR
Capacity (veh/h)	1368	-	-	731	970	1559	-	-
HCM Lane V/C Ratio	0.01	-	-	0.092	0.069	0.014	-	-
HCM Control Delay (s)	7.7	0	-	10.4	9	7.3	0	-
HCM Lane LOS	A	A	-	B	A	A	A	-
HCM 95th %tile Q(veh)	0	-	-	0.3	0.2	0	-	-

HCM 2010 TWSC  
5: Appleton Side Road (Country Road 17)

2032 Future Total  
AM Peak Hour

Intersection						
Int Delay, s/veh	3.7					
Movement	EBL	EBR	NBL	NBT	SBT	SBR
Lane Configurations	↔		↕		↕	
Traffic Vol, veh/h	98	18	7	95	90	36
Future Vol, veh/h	98	18	7	95	90	36
Conflicting Peds, #/hr	0	0	0	0	0	0
Sign Control	Stop	Stop	Free	Free	Free	Free
RT Channelized	-	None	-	None	-	None
Storage Length	0	-	-	-	-	-
Veh in Median Storage, #	0	-	-	0	0	-
Grade, %	0	-	-	0	0	-
Peak Hour Factor	93	93	93	93	93	93
Heavy Vehicles, %	2	2	2	2	2	2
Mvmt Flow	105	19	8	102	97	39
Major/Minor	Minor2	Major1	Major2			
Conflicting Flow All	235	117	136	0	-	0
Stage 1	117	-	-	-	-	-
Stage 2	118	-	-	-	-	-
Critical Hdwy	6.42	6.22	4.12	-	-	-
Critical Hdwy Stg 1	5.42	-	-	-	-	-
Critical Hdwy Stg 2	5.42	-	-	-	-	-
Follow-up Hdwy	3.518	3.318	2.218	-	-	-
Pot Cap-1 Maneuver	753	935	1448	-	-	-
Stage 1	908	-	-	-	-	-
Stage 2	907	-	-	-	-	-
Platoon blocked, %	-	-	-	-	-	-
Mov Cap-1 Maneuver	748	935	1448	-	-	-
Mov Cap-2 Maneuver	748	-	-	-	-	-
Stage 1	903	-	-	-	-	-
Stage 2	907	-	-	-	-	-
Approach	EB	NB	SB			
HCM Control Delay, s	10.6	0.5	0			
HCM LOS	B					
Minor Lane/Major Mvmt	NBL	NBT	EBLn1	SBT	SBR	
Capacity (veh/h)	1448	-	772	-	-	
HCM Lane V/C Ratio	0.005	-	0.162	-	-	
HCM Control Delay (s)	7.5	0	10.6	-	-	
HCM Lane LOS	A	A	B	-	-	
HCM 95th %tile Q(veh)	0	-	0.6	-	-	

Lanes, Volumes, Timings  
2: Paterson Street/Menzie Street & Ottawa Street

2032 Future Total  
PM Peak Hour

Lane Group	EBL	EBT	EBR	WBL	WBT	WBR	NBL	NBT	NBR	SBL	SBT	SBR
Lane Configurations		↕		↕	↕	↕		↕		↕	↕	
Traffic Volume (vph)	4	630	103	80	884	11	130	8	80	7	3	5
Future Volume (vph)	4	630	103	80	884	11	130	8	80	7	3	5
Satd. Flow (prot)	0	1685	0	1658	1728	1483	0	1601	0	0	1608	0
Fit Permitted		0.996		0.265				0.808			0.874	
Satd. Flow (perm)	0	1679	0	462	1728	1438	0	1321	0	0	1438	0
Satd. Flow (RTOR)		12				36		32			5	
Lane Group Flow (vph)	0	775	0	84	931	12	0	229	0	0	15	0
Turn Type	Perm	NA		pm+pt	NA	Perm	Perm	NA		Perm	NA	
Protected Phases		2		1	6			8			4	
Permitted Phases	2			6		6	8				4	
Detector Phase	2	2		1	6	6	8	8			4	4
Switch Phase												
Minimum Initial (s)	10.0	10.0		5.0	10.0	10.0	10.0	10.0		10.0	10.0	
Minimum Split (s)	26.3	26.3		11.3	26.3	26.3	31.0	31.0		31.0	31.0	
Total Split (s)	47.7	47.7		11.3	59.0	59.0	31.0	31.0		31.0	31.0	
Total Split (%)	53.0%	53.0%		12.6%	65.6%	65.6%	34.4%	34.4%		34.4%	34.4%	
Yellow Time (s)	3.7	3.7		3.7	3.7	3.7	3.3	3.3		3.3	3.3	
All-Red Time (s)	2.6	2.6		2.6	2.6	2.6	2.7	2.7		2.7	2.7	
Lost Time Adjust (s)		0.0		0.0	0.0	0.0		0.0			0.0	
Total Lost Time (s)		6.3		6.3	6.3	6.3		6.0			6.0	
Lead/Lag	Lag	Lag		Lead								
Lead-Lag Optimize?	Yes	Yes		Yes								
Recall Mode	Max	Max		None	Max	Max	None	None		None	None	
Act Effct Green (s)		45.4		54.5	54.5	54.5		17.5			17.5	
Actuated g/C Ratio		0.54		0.65	0.65	0.65		0.21			0.21	
v/c Ratio		0.85		0.23	0.83	0.01		0.77			0.05	
Control Delay		30.7		8.4	21.8	0.5		43.3			20.5	
Queue Delay		0.0		0.0	0.0	0.0		0.0			0.0	
Total Delay		30.7		8.4	21.8	0.5		43.3			20.5	
LOS		C		A	C	A		D			C	
Approach Delay		30.7			20.5			43.3			20.5	
Approach LOS		C			C			D			C	
Queue Length 50th (m)		105.1		4.5	102.1	0.0		29.2			1.3	
Queue Length 95th (m)		#207.2		11.8	#224.2	0.5		52.7			5.8	
Internal Link Dist (m)		113.0			108.0			153.2			106.0	
Turn Bay Length (m)						30.0						
Base Capacity (vph)		910		369	1116	941		415			430	
Starvation Cap Reductn		0		0	0	0		0			0	
Spillback Cap Reductn		0		0	0	0		0			0	
Storage Cap Reductn		0		0	0	0		0			0	
Reduced v/c Ratio		0.85		0.23	0.83	0.01		0.55			0.03	
Intersection Summary												
Cycle Length: 90												
Actuated Cycle Length: 84.3												
Natural Cycle: 90												
Control Type: Semi Act-Uncoord												
Maximum v/c Ratio: 0.85												

Lanes, Volumes, Timings  
 2: Paterson Street/Menzie Street & Ottawa Street

2032 Future Total  
 PM Peak Hour

Intersection Signal Delay: 26.9 Intersection LOS: C  
 Intersection Capacity Utilization 93.8% ICU Level of Service F  
 Analysis Period (min) 15  
 # 95th percentile volume exceeds capacity, queue may be longer.  
 Queue shown is maximum after two cycles.

Splits and Phases: 2: Paterson Street/Menzie Street & Ottawa Street



HCM 2010 TWSC  
 3: Appleton Side Road (Country Road 17) & Industrial Drive

2032 Future Total  
 PM Peak Hour

Intersection						
Int Delay, s/veh	1.3					
Movement	EBL	EBR	NBL	NBT	SBT	SBR
Lane Configurations	↔	↔	↔	↔	↔	↔
Traffic Vol, veh/h	13	21	35	156	232	27
Future Vol, veh/h	13	21	35	156	232	27
Conflicting Peds, #/hr	0	0	0	0	0	0
Sign Control	Stop	Stop	Free	Free	Free	Free
RT Channelized	-	None	-	None	-	None
Storage Length	0	-	-	-	-	-
Veh in Median Storage, #	0	-	-	0	0	-
Grade, %	0	-	-	0	0	-
Peak Hour Factor	96	96	96	96	96	96
Heavy Vehicles, %	2	5	3	7	12	4
Mvmt Flow	14	22	36	163	242	28
Major/Minor	Minor2	Major1	Major2			
Conflicting Flow All	491	256	270	0	-	0
Stage 1	256	-	-	-	-	-
Stage 2	235	-	-	-	-	-
Critical Hdwy	6.42	6.25	4.13	-	-	-
Critical Hdwy Stg 1	5.42	-	-	-	-	-
Critical Hdwy Stg 2	5.42	-	-	-	-	-
Follow-up Hdwy	3.518	3.345	2.227	-	-	-
Pot Cap-1 Maneuver	537	775	1288	-	-	-
Stage 1	787	-	-	-	-	-
Stage 2	804	-	-	-	-	-
Platoon blocked, %	-	-	-	-	-	-
Mov Cap-1 Maneuver	520	775	1288	-	-	-
Mov Cap-2 Maneuver	520	-	-	-	-	-
Stage 1	763	-	-	-	-	-
Stage 2	804	-	-	-	-	-
Approach	EB	NB	SB			
HCM Control Delay, s	10.8	1.4	0			
HCM LOS	B					
Minor Lane/Major Mvmt	NBL	NBT EBLn1	SBT	SBR		
Capacity (veh/h)	1288	-	653	-		
HCM Lane V/C Ratio	0.028	-	0.054	-		
HCM Control Delay (s)	7.9	0	10.8	-		
HCM Lane LOS	A	A	B	-		
HCM 95th %tile Q(veh)	0.1	-	0.2	-		

HCM 2010 TWSC  
4: Paterson Street & Jack Dalgity Street/Access #1

2032 Future Total  
PM Peak Hour

Intersection												
Int Delay, s/veh	5.2											
Movement	EBL	EBT	EBR	WBL	WBT	WBR	NBL	NBT	NBR	SBL	SBT	SBR
Lane Configurations	↔			↔			↔			↔		
Traffic Vol, veh/h	52	0	5	6	0	36	7	34	10	58	32	47
Future Vol, veh/h	52	0	5	6	0	36	7	34	10	58	32	47
Conflicting Peds, #/hr	0	0	0	0	0	0	1	0	0	0	0	0
Sign Control	Stop	Stop	Stop	Stop	Stop	Stop	Free	Free	Free	Free	Free	Free
RT Channelized	-	-	None	-	-	None	-	-	None	-	-	None
Storage Length	-	-	-	-	-	-	-	-	-	-	-	-
Veh in Median Storage, #	-	0	-	-	0	-	-	0	-	-	0	-
Grade, %	-	0	-	-	0	-	-	0	-	-	0	-
Peak Hour Factor	94	93	94	93	93	93	94	94	93	93	94	94
Heavy Vehicles, %	10	2	2	2	2	2	2	2	2	2	7	4
Mvmt Flow	55	0	5	6	0	39	7	36	11	62	34	50

Major/Minor	Minor2	Minor1	Major1	Major2
Conflicting Flow All	259	245	60	242
Stage 1	184	184	-	56
Stage 2	75	61	-	186
Critical Hdwy	7.2	6.52	6.22	7.12
Critical Hdwy Stg 1	6.2	5.52	-	6.12
Critical Hdwy Stg 2	6.2	5.52	-	6.12
Follow-up Hdwy	3.59	4.018	3.318	3.518
Pot Cap-1 Maneuver	678	657	1005	712
Stage 1	800	747	-	956
Stage 2	915	844	-	816
Platoon blocked, %	-	-	-	-
Mov Cap-1 Maneuver	629	625	1004	683
Mov Cap-2 Maneuver	629	625	-	683
Stage 1	795	715	-	951
Stage 2	876	840	-	778

Approach	EB	WB	NB	SB
HCM Control Delay, s	11.1	8.9	1	3.2
HCM LOS	B	A		

Minor Lane/Major Mvmt	NBL	NBT	NBR	EBLn1	WBLn1	SBL	SBT	SBR
Capacity (veh/h)	1511	-	-	650	960	1560	-	-
HCM Lane V/C Ratio	0.005	-	-	0.093	0.047	0.04	-	-
HCM Control Delay (s)	7.4	0	-	11.1	8.9	7.4	0	-
HCM Lane LOS	A	A	-	B	A	A	A	-
HCM 95th %tile Q(veh)	0	-	-	0.3	0.1	0.1	-	-

HCM 2010 TWSC  
5: Appleton Side Road (Country Road 17) & Access #2

2032 Future Total  
PM Peak Hour

Intersection						
Int Delay, s/veh	2.2					
Movement	EBL	EBR	NBL	NBT	SBT	SBR
Lane Configurations	↔			↔	↔	
Traffic Vol, veh/h	67	12	19	124	147	106
Future Vol, veh/h	67	12	19	124	147	106
Conflicting Peds, #/hr	0	0	0	0	0	0
Sign Control	Stop	Stop	Free	Free	Free	Free
RT Channelized	-	None	-	None	-	None
Storage Length	0	-	-	-	-	-
Veh in Median Storage, #	0	-	-	0	0	-
Grade, %	0	-	-	0	0	-
Peak Hour Factor	93	93	93	93	93	93
Heavy Vehicles, %	2	2	2	2	2	2
Mvmt Flow	72	13	20	133	158	114

Major/Minor	Minor2	Major1	Major2
Conflicting Flow All	388	215	272
Stage 1	215	-	-
Stage 2	173	-	-
Critical Hdwy	6.42	6.22	4.12
Critical Hdwy Stg 1	5.42	-	-
Critical Hdwy Stg 2	5.42	-	-
Follow-up Hdwy	3.518	3.318	2.218
Pot Cap-1 Maneuver	616	825	1291
Stage 1	821	-	-
Stage 2	857	-	-
Platoon blocked, %	-	-	-
Mov Cap-1 Maneuver	606	825	1291
Mov Cap-2 Maneuver	606	-	-
Stage 1	807	-	-
Stage 2	857	-	-

Approach	EB	NB	SB
HCM Control Delay, s	11.6	1	0
HCM LOS	B		

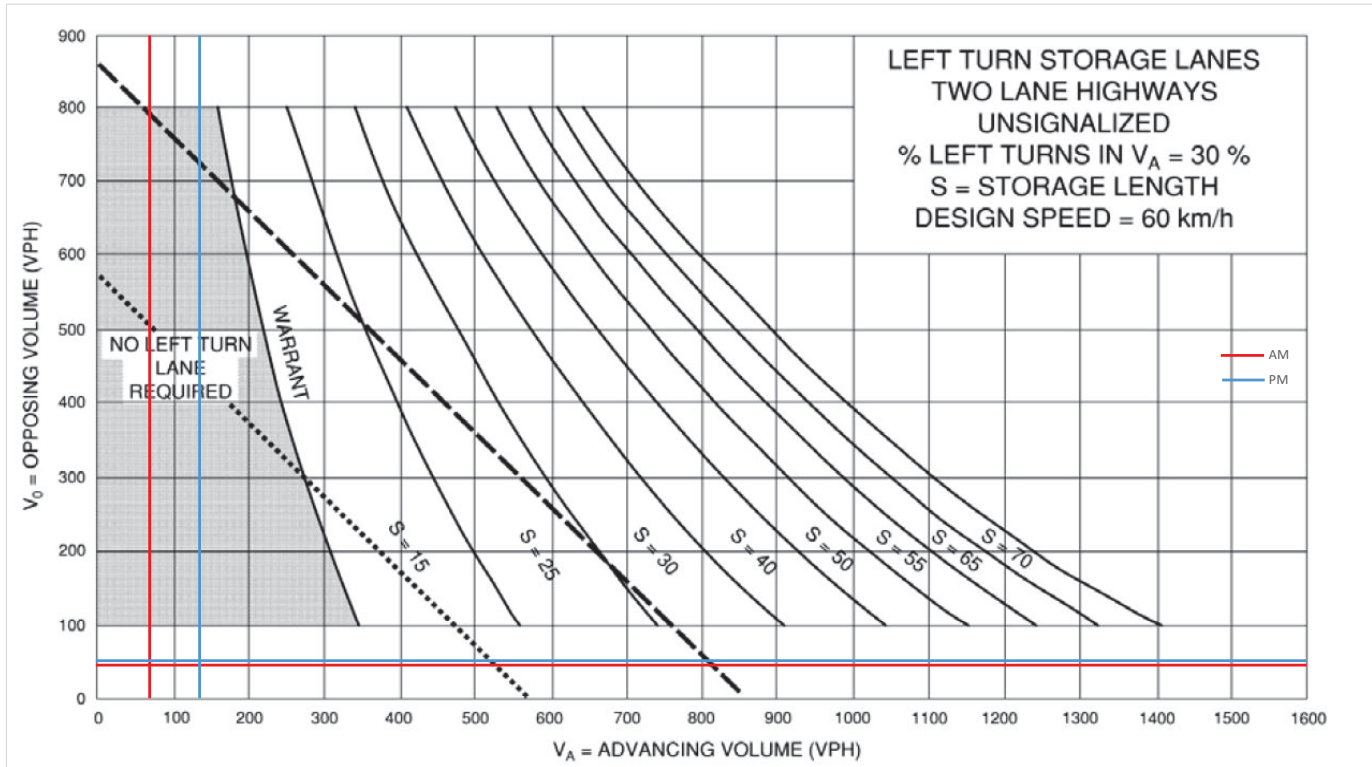
Minor Lane/Major Mvmt	NBL	NBT	EBLn1	SBT	SBR
Capacity (veh/h)	1291	-	631	-	-
HCM Lane V/C Ratio	0.016	-	0.135	-	-
HCM Control Delay (s)	7.8	0	11.6	-	-
HCM Lane LOS	A	A	B	-	-
HCM 95th %tile Q(veh)	0	-	0.5	-	-

# Appendix I

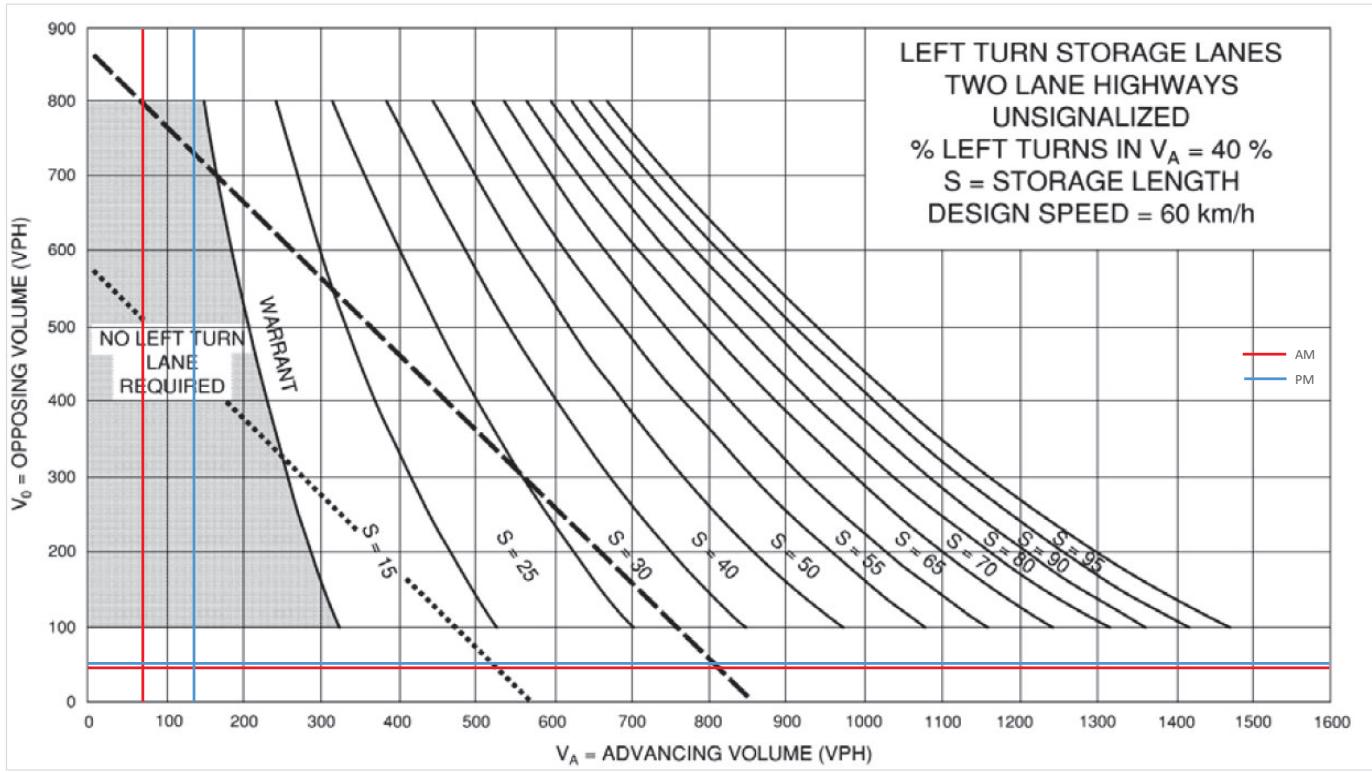
Turn Lane Warrants

Jack Dalgity Stree/Access #1 @ Paterson Street

Existing																		
Design Speed																		
60 km/h	EBL	EBT	EBR	WBL	WBT	WBR	NBL	NBT	NBR	Yes SBL	SBT	SBR	%Left Turn	Volume Advancing	Volume Opposing			
AM	37	0	11	0	0	0	0	10	8	0	0	16	17	0.0%	33	18		
PM	52	0	5	0	0	0	0	7	10	0	0	14	47	0.0%	61	17		
Future Background 2027																		
Design Speed																		
60 km/h	EBL	EBT	EBR	WBL	WBT	WBR	NBL	NBT	NBR	Yes SBL	SBT	SBR	%Left Turn	Volume Advancing	Volume Opposing			
AM	37	0	11	0	0	0	0	10	20	0	0	25	17	0.0%	42	30		
PM	52	0	5	0	0	0	0	7	22	0	0	23	47	0.0%	70	29		
Future Background 2032																		
Design Speed																		
60 km/h	EBL	EBT	EBR	WBL	WBT	WBR	NBL	NBT	NBR	Yes SBL	SBT	SBR	%Left Turn	Volume Advancing	Volume Opposing			
AM	37	0	11	0	0	0	0	10	32	0	0	34	17	0.0%	51	42		
PM	52	0	5	0	0	0	0	7	34	0	0	32	47	0.0%	79	41		
Future Total 2027																		
Design Speed																		
60 km/h	EBL	EBT	EBR	WBL	WBT	WBR	NBL	NBT	NBR	Yes SBL	SBT	SBR	%Left Turn	Volume Advancing	Volume Opposing			
AM	37	0	11	9	0	53	10	20	3	20	25	17	32.3%	62	33			
PM	52	0	5	6	0	36	7	22	10	58	23	47	45.3%	128	39			
Future Total 2032																		
Design Speed																		
60 km/h	EBL	EBT	EBR	WBL	WBT	WBR	NBL	NBT	NBR	Yes SBL	SBT	SBR	%Left Turn	Volume Advancing	Volume Opposing			
AM	37	0	11	9	0	53	10	32	3	20	34	17	28.2%	71	45			
PM	52	0	5	6	0	36	7	34	10	58	32	47	42.3%	137	51			







Access #2 @ Appleton Side Road

Future Total 2027																
Design Speed																
60 km/h	EBL	EBT	EBR	WBL	WBT	WBR	Yes NBL	NBT	NBR	SBL	SBT	SBR	%Left Turn	Volume Advancing	Volume Opposing	
AM	98	0	18	0	0	0	0	7	87	0	0	84	36	7.4%	94	120
PM	67	0	12	0	0	0	0	19	115	0	0	137	106	14.2%	134	243

Future Total 2032																
Design Speed																
60 km/h	EBL	EBT	EBR	WBL	WBT	WBR	Yes NBL	NBT	NBR	SBL	SBT	SBR	%Left Turn	Volume Advancing	Volume Opposing	
AM	98	0	18	0	0	0	0	7	95	0	0	90	36	6.9%	102	126
PM	67	0	12	0	0	0	0	19	124	0	0	147	106	13.3%	143	253

